



PRODUCT SPECS	
Input Voltage (VAC)	120-277 / 347-480
Wattage	100P=100W/80W/60W selectable 150P=150W/120W/100W selectable 300P=300W/240W/200W selectable
CRI	80+
CCT (K)	4000, 5000
Control System	Occupancy Sensor, Daylight Sensor (Photocell), Network Controls*
Finish Color	Bronze, Black, White, Custom**
Housing	Die Cast Aluminum
Optic Types	T2, T3, T4, T5
Dimming	0-10V Dimming
Operating Temperature	-30° C to 50° C
IP Rating	IP65
Limited Warranty	10 Years
IK Rating	IK08
Surge Protection	L/N-PE: 10KV, L-N: 6KV; 20kV Optional

*Please contact sales team for more information about NLC system.

**Bronze finish is default, for customer paint, please contact sales team for more information.

PRODUCT FEATURES

- Compact, low profile design delivers high-performance illumination and improves application site aesthetics. Ideal for parking lots, auto dealerships, and general area lighting applications.
- High-quality finishes prevent corrosion, protects against extreme environmental conditions. Custom paint are available with additional cost and lead time.
- Power selectable technology, covering 60W-300W with 3 SKU.
- Exceptional coverage and uniformity are provided with Type II, Type III, Type IV and Type V optics.
- Sensor receptacle pre-installed, plug-and-play sensor can be easily added.
- 0-10V dimming driver featuring 12V AUX power tap, 6KV surge protection. 347-480V options are available with additional cost and lead time.
- Industry-leading 10 years warranty for the fixture (accessories not included). Check warranty file for more details.

PROJECT DETAILS		TYPE
Project:		
Product:		
Prepared by:		
Notes:		

APPLICATIONS	
Application	Pole/Wall Mount
Fixture Type	Area Light (A)
Office and Meeting Space	
Educational Facilities	
Industrial and Distribution	X
Hospital and Healthcare Facilities	
Garage and Parking Lot	X
Parks and Recreation	X

ENABLED: Bluetooth DLC Tru Blu SILVAIR

CERTIFICATIONS AND COMPATIBILITIES



ORDER FORMAT

AR2	-	-	-	-	-	-	-
Series	Wattage	CCT	Voltage	Optics	Control*	Finish	
AR2	100P =100W/80W/60W selectable 150P =150W/120W/100W selectable 300P =300W/240W/200W selectable	40 =4000K 50 =5000K	Blank =120-277VAC V =347-480VAC	T2 =Type II T3 =Type III T4 =Type IV T5 =Type V	SQ =HB01DMS, Microwave Sensor, 12VDC P1 =JL-207C, 3-Pin Photocell, 120/277VAC P2 =JL-207C, 3-Pin Photocell, 480VAC LLLC ☆ LALC ☆	Blank =Bronze B =Black W =White	

Mounting, Lens & Accessories**

AM =Arm Mount	L2A =Type II Lens for 100P model
SF =Slip fitter	L4A =Type IV Lens for 100P model
TN =Trunnion Mount	L5A =Type V Lens for 100P model
YA =Yoke Mount for 100P&150P model	L2B =Type II Lens for 150P model
YB =Yoke Mount for 300P model	L4B =Type IV Lens for 150P model
RQ =Remoto for Sensor HB01DMS	L5B =Type V Lens for 150P model
SHD1 =House Shield for 100P/150P	L2C =Type II Lens for 300P model
SHD2 =House Shield for 300P	L4C =Type IV Lens for 300P model
	L5C =Type V Lens for 300P model

*Can be pre-installed. See more details in CONTROL, OPTIONS AND ACCESSORIES sheet.

**Order separately. See more details in CONTROL, OPTIONS AND ACCESSORIES sheet.

☆ Contact sales team for more details about LLLC, LALC, Reloc options.

INFORMATION FOR LIGHTING CONTROLS APPLICATIONS

LLLC - Luminaire Level Lighting Control (Mesh Network) 	LALC - Local Area Lighting Control (Circuit Level) 	SAFC - Stand Alone Fixture Control
		<p>*possibly rebated on fixture only</p>
<p>Control-luminaire groupings typified by needs to a space or user, coordinated via wireless signals, executed at each luminaire. LLLC and networked solutions are highlighted by ability to operate independently or in mesh coordination. Note: they are not related by a power circuit.</p>	<p>LALC solutions are highlighted by their “many to one” arrangements. This can save on hardware costs with minimal labor increases. Characteristically they are linked (related) by power or control wires.</p>	<p>SAFC solutions have sensors that typically only detect and individually control a single fixture. Characteristically they have A) 1:1 sensor to fixture relationship; B) sensor integrally wired and/or affixed to fixture; C) Likely to have physical settings on the sensor, but may have hand held program tool.</p>

CONTROLS, OPTIONS, AND ACCESSORIES

↓ [CLICKABLE LINKS](#) ↓

LLLL - LUMINAIRE LEVEL LIGHTING CONTROL (MESH NETWORK)

ATG Code	Description	Model Number
W4	Bi-level PIR Occ sensor	PSC-BL-I-FM-DC0-BLE-SR
W10	PIR OCCC Sensor w/0-10V DI and relay drive output, 12-24VDC IP65	PSC-ZKV-I-100-BLE-SR
W10R	Receptacle for W10	PSC-ZKV-R1T
W11	Controller, 0-10V mesh, 12-24VDC IP65	PSC-ZKV-WCM-100-BLE-SR
PP7	12V power supply for fixture mount with relay	PSC-AC-PP-700C

LALC - LOCAL AREA LIGHTING CONTROL (CIRCUIT LEVEL)

ATG Code	Description	Model Number
W10R	Receptacle for W10	PSC-ZKV-R1T
W11	Controller, 0-10V mesh, 12-24VDC IP65	PSC-ZKV-WCM-100-BLE-SR
PP7	12V power supply for fixture mount with relay	PSC-AC-PP-700C

SAFC - STAND ALONE FIXTURE CONTROL

ATG Code	Description	Model Number
SQ	Microwave Motion Sensor,12VDC	HB01DMS
RQ	Remote for HB01DMS	
P1	Photocell,3Pin NEMA,120/277VAC	JL-207C
P2	Photocell,3Pin NEMA,480VAC	JL-207F

ACCESSORIES

ATG Code	Description	Model Number
AM	Arm Mount for G2 Archer Area Light	MAM-AR-G2
SF	Slip Fitter for G2 Archer Area Light	MSF-AR-G2
TN	Trunnion Mount for G2 Archer Area Light	MTN-AR-G2
YA	Yoke Mount for 100W&150W Archer G2 Area Light	MYK-AR-G2A
YB	Yoke Mount for 300W Archer G2 Area Light	MYK-AR-G2B
L2A	Type II Lens for 100W G2 Archer Area Light,1:1	LEN-T2-AR2-01
L4A	Type IV Lens for 100W G2 Archer Area Light,1:1	LEN-T4-AR2-01
L5A	Type V Lens for 100W G2 Archer Area Light,1:1	LEN-T5-AR2-01
L2B	Type II Lens for 150W G2 Archer Area Light,1:1	LEN-T2-AR2-02
L4B	Type IV Lens for 150W G2 Archer Area Light,1:1	LEN-T4-AR2-02
L5B	Type V Lens for 150W G2 Archer Area Light,1:1	LEN-T5-AR2-02
L2C	Type II Lens for 300W G2 Archer Area Light,1:1	LEN-T2-AR2-03
L4C	Type IV Lens for 300W G2 Archer Area Light,1:1	LEN-T4-AR2-03
L5C	Type V Lens for 300W G2 Archer Area Light,1:1	LEN-T5-AR2-03
SHD1	House Shield for 100W,150W G2 Archer Area Light	SHD-AR-G2-01
SHD2	House Shield for 300W G2 Archer Area Light	SHD-AR-G2-02

PROJECTED LUMEN MAINTENANCE

Ambient Test Temp	Reported Hours	0 Hrs	25,000 Hrs	TMI21-11 [†] L94 54,000	50,000 Hrs	100,000 Hrs	L70 Hrs
25° C / 77° F	>54,000	1.0	.966	.943	.946	.907	405,000

[^] Projected per IESNA TM-21-11




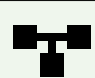

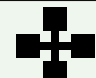



[†] DLC Reported Hours = Max 6x LM-80 tested duration (SSC STWxC25B-xx @9,000 Hrs)

PERFORMANCE CHART

Model	Nominal Wattage	Input Voltage	BUG Rating(4000K)				BUG Rating(5000K)			
			T2	T3	T4	T5	T2	T3	T4	T5
AR2-100P-XX	100W	100-277 V / 347-480V	B3-U3-G3	B3-U3-G3	B2-U3-G2	B3-U3-G2	B3-U3-G3	B3-U3-G3	B2-U3-G2	B3-U3-G2
	80W		B2-U3-G2	B2-U3-G2	B2-U3-G2	B3-U3-G2	B2-U3-G2	B2-U3-G2	B2-U3-G2	B3-U3-G2
	60W		B2-U3-G2	B2-U3-G2	B2-U3-G2	B2-U3-G2	B2-U3-G2	B2-U3-G2	B2-U3-G2	B2-U3-G2
AR2-150P-XX	150W	100-277 V / 347-480V	B4-U3-G3	B4-U3-G3	B4-U3-G3	B4-U3-G3	B4-U3-G3	B4-U3-G3	B4-U3-G3	B4-U3-G3
	120W		B3-U3-G3	B3-U3-G3	B2-U3-G2	B2-U3-G2	B3-U3-G3	B3-U3-G3	B2-U3-G2	B2-U3-G2
	100W		B3-U3-G3	B3-U3-G3	B2-U3-G2	B2-U3-G2	B3-U3-G3	B3-U3-G3	B2-U3-G2	B2-U3-G2
AR2-300P-XX	300W	100-277 V / 347-480V	B5-U3-G4	B5-U3-G5	B4-U3-G4	B5-U3-G4	B5-U3-G4	B5-U3-G5	B4-U3-G4	B5-U3-G4
	240W		B4-U3-G4	B4-U3-G4	B4-U3-G4	B5-U3-G5	B4-U3-G4	B4-U3-G4	B4-U3-G4	B5-U3-G5
	200W		B4-U3-G4	B3-U3-G3	B4-U3-G4	B4-U3-G4	B4-U3-G4	B3-U3-G3	B4-U3-G4	B4-U3-G4

Model	Nominal Wattage	CCT	T2			T3			T4			T5			HID/MH Equivalency
			Wattage	Efficacy	Lumens	Wattage	Efficacy	Lumens	Wattage	Efficacy	Lumens	Wattage	Efficacy	Lumens	
AR2-100P-XX	100W	4000K	100	130	13000	100	133	13300	100	130	13000	100	132	13200	250W MH/HPS
		5000K	100	131	13100	100	135	13500	100	131	13100	100	134	13400	
	80W	4000K	80	135	10800	80	138	11040	80	135	10800	80	136	10880	200W MH/HPS
		5000K	80	137	10960	80	140	11200	80	137	10960	80	139	11120	
	60W	4000K	60	140	8400	60	143	8580	60	140	8400	60	142	8520	175W MH/HPS
		5000K	60	141	8460	60	145	8760	60	141	8460	60	144	8640	
AR2-150P-XX	150W	4000K	150	130	19500	150	133	19950	150	130	19500	150	132	19800	320W MH/HPS
		5000K	150	131	19560	150	135	20250	150	131	19560	150	134	20100	
	120W	4000K	120	135	16200	120	138	19951	120	135	16200	120	136	16320	300W MH/HPS
		5000K	120	137	16440	120	140	16800	120	137	16440	120	139	16680	
	100W	4000K	100	140	14000	100	143	19952	100	140	14000	100	142	14200	250W MH/HPS
		5000K	100	141	14100	100	145	14500	100	141	14100	100	144	14400	
AR2-300P-XX	300W	4000K	300	130	39000	300	133	19956	300	130	39000	300	132	39600	750W MH/HPS
		5000K	300	131	39300	300	135	40500	300	131	39300	300	134	40200	
	240W	4000K	240	135	32400	240	138	19957	240	135	32400	240	136	32640	500W MH/HPS
		5000K	240	137	32880	240	140	33600	240	137	32880	240	139	33360	
	200W	4000K	200	140	28000	200	143	19958	200	140	28000	200	142	28400	400W MH/HPS
		5000K	200	141	28200	200	145	29000	200	141	28200	200	144	28800	

*Based on extrapolated data.

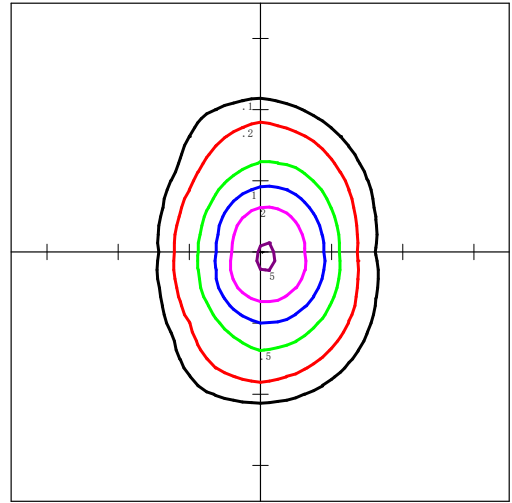
EKPA Calcs(1.2*ft^2 View)		Single Fixture	2 Fixture at 90°	2 Fixture at 180°	3 Fixture at 90°	3 Fixture at 180°	4 Fixture at 90°	2 Fixture Side-by-Side	3 Fixture Side-by-Side	4 Fixture Side-by-Side
Fixture	Mounting									
100W&150W Fixed&Wattage	Horizontal	0.384 ft ²	0.599 ft ²	0.776 ft ²	0.914 ft ²	0.983 ft ²	0.914 ft ²	0.568 ft ²	0.852 ft ²	1.137 ft ²
	45°	1.344 ft ²	1.831 ft ²	1.344 ft ²	2.328 ft ²	3.281 ft ²	2.328 ft ²	2.677 ft ²	4.021 ft ²	5.365 ft ²
300W Fixed&Wattage Selectable	Horizontal	0.468 ft ²	0.73 ft ²	0.945 ft ²	1.114 ft ²	1.198 ft ²	1.114 ft ²	0.693 ft ²	1.039 ft ²	1.385 ft ²
	45°	2.016 ft ²	1.831 ft ²	1.344 ft ²	2.328ft ²	3.281 ft ²	2.328 ft ²	2.677 ft ²	4.021 ft ²	5.365 ft ²

PHOTOMETRICS

AR2-100P-50-T3 @ 100W,120VAC,25FT Mounting

LUMINAIRE DATA

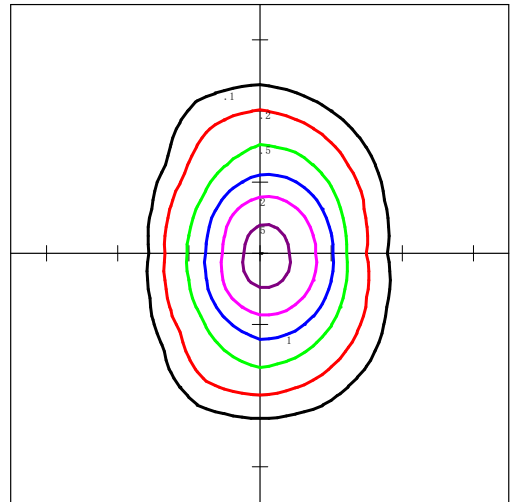
Type III Distribution	
Description	100W,5000K,80 CRI
Mounting	25 FT
Watts	100.4
Lumens	14829.1
IES Type	Type III - Medium
BUG	B3-U3-G3



AR2-150P-50-T3 @ 150W,120VAC,25FT Mounting

LUMINAIRE DATA

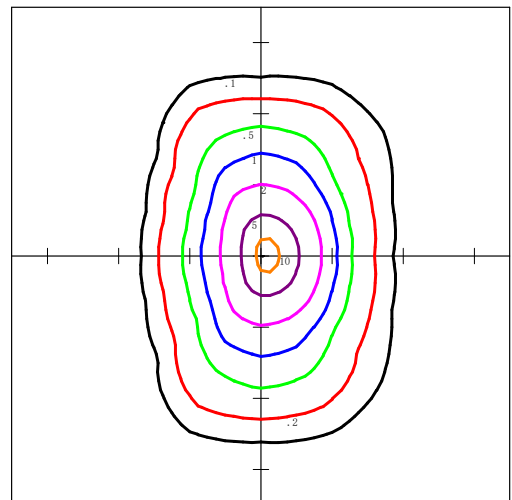
Type III Distribution	
Description	150W,5000K,80 CRI
Mounting	25 FT
Watts	150.2
Lumens	22049
IES Type	Type III - Medium
BUG	B4-U3-G4



AR2-300P-50-T3 @ 200W,120VAC,25FT Mounting

LUMINAIRE DATA

Type III Distribution	
Description	200W,5000K,80 CRI
Mounting	25 FT
Watts	199.8
Lumens	29890.1
IES Type	Type III - Medium
BUG	B3-U3-G3

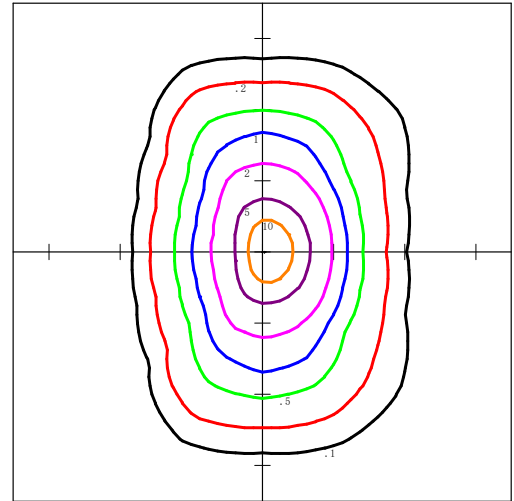


PHOTOMETRICS

AR2-300P-50-T3 @ 300W,120VAC,25FT Mounting

LUMINAIRE DATA

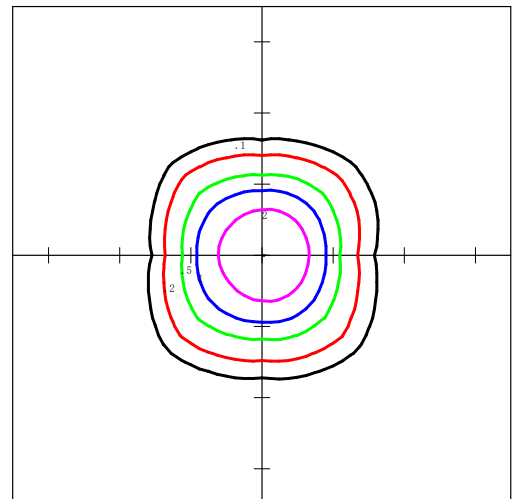
Type III Distribution	
Description	300W,5000K,80 CRI
Mounting	25 FT
Watts	301.4
Lumens	44335.9
IES Type	Type III - Medium
BUG	B5-U3-G5



AR2-100P-50-T5 @ 100W,120VAC,25FT Mounting

LUMINAIRE DATA

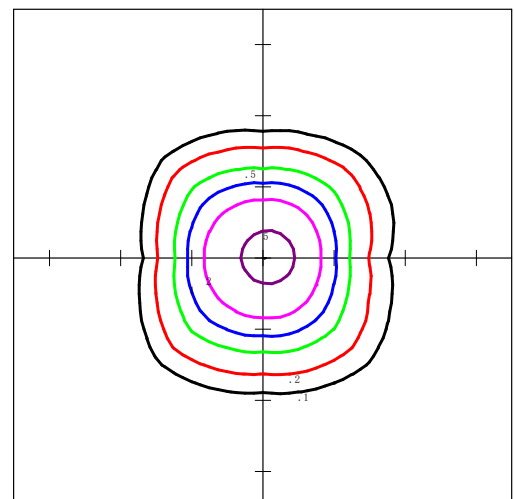
Type III Distribution	
Description	100W,5000K,80 CRI
Mounting	25 FT
Watts	99.2
Lumens	14552.6
IES Type	Type V - Very Short
BUG	B3-U3-G2



AR2-150P-50-T5 @ 150W,120VAC,25FT Mounting

LUMINAIRE DATA

Type III Distribution	
Description	150W,5000K,80 CRI
Mounting	25 FT
Watts	151.2
Lumens	22538.3
IES Type	Type V - Very Short
BUG	B4-U3-G2

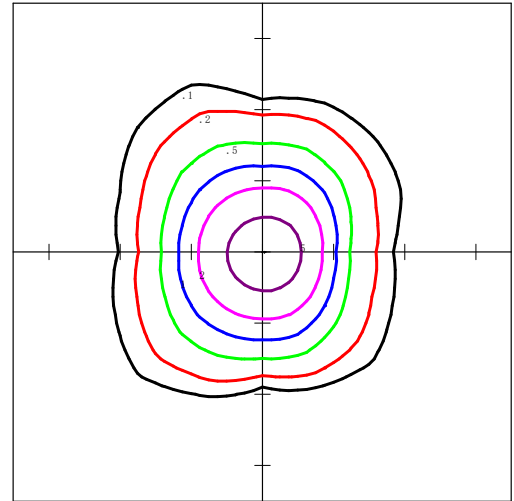


PHOTOMETRICS

AR2-300P-50-T5 @ 200W,120VAC,25FT Mounting

LUMINAIRE DATA

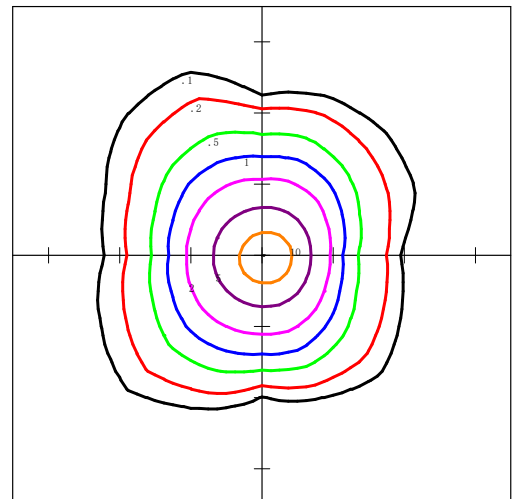
Type III Distribution	
Description	200W,5000K,80 CRI
Mounting	25 FT
Watts	201.8
Lumens	29947.1
IES Type	Type V - Very Short
BUG	B4-U3-G3



AR2-300P-50-T5 @ 300W,120VAC,25FT Mounting

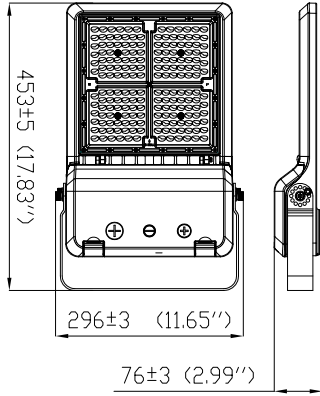
LUMINAIRE DATA

Type III Distribution	
Description	300W,5000K,80 CRI
Mounting	25 FT
Watts	302.1
Lumens	44348.3
IES Type	Type V - Very Short
BUG	B5-U3-G3

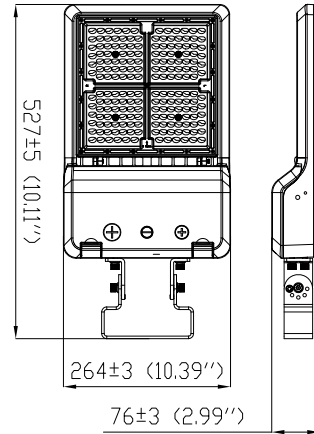


DIMENSIONS

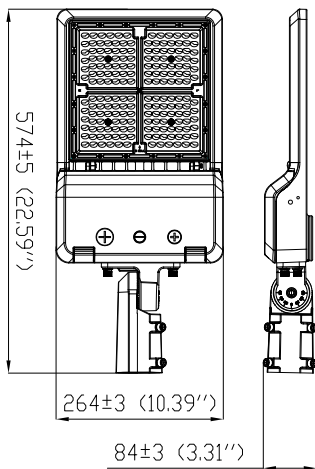
Yoke Mount



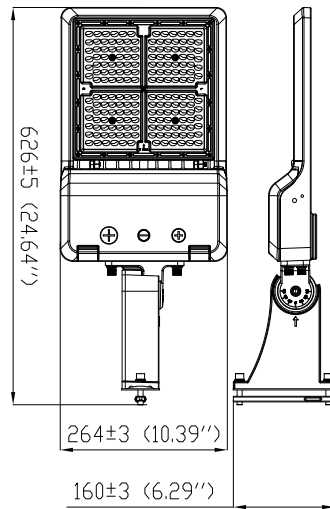
Trunnion Mount



Slip Fitter



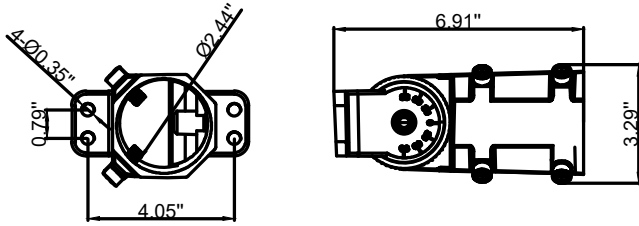
Arm Mount



Model Number	With Yoke Mount			With Slipfitter			With Trunnion Mount			With Arm Mount		
	L(Length)	W(Width)	H(Height)	L(Length)	W(Width)	H(Height)	L(Length)	W(Width)	H(Height)	L(Length)	W(Width)	H(Height)
100P	14.88"	11.65"	2.99"	19.61"	10.39"	3.31"	17.79"	10.39"	2.99"	21.68"	10.39"	6.29"
150P	17.83"	11.65"	2.99"	22.59"	10.39"	3.31"	20.75"	10.39"	2.99"	24.64"	10.39"	6.29"
300P	21.53"	14.44"	2.99"	25.67"	13.07"	3.31"	23.54"	13.07"	2.99"	27.72"	13.07"	6.29"

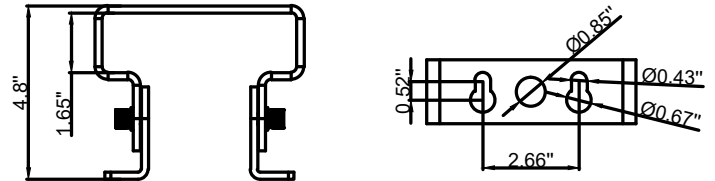
Slipfitter Mount

MSF-AR-G2



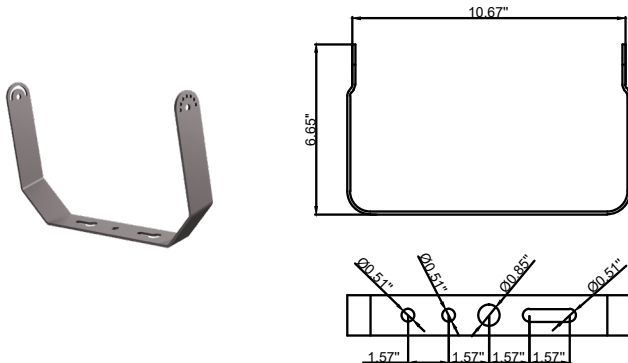
Trunnion Mount

MTN-AR-G2



Yoke Mount

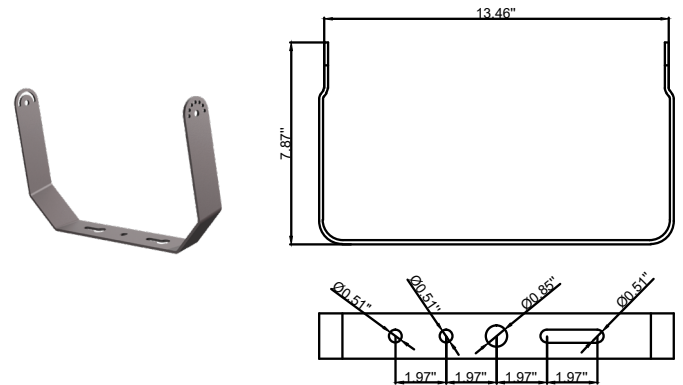
MYK-AR-G2A



*Solid wall anchors (shown) not included

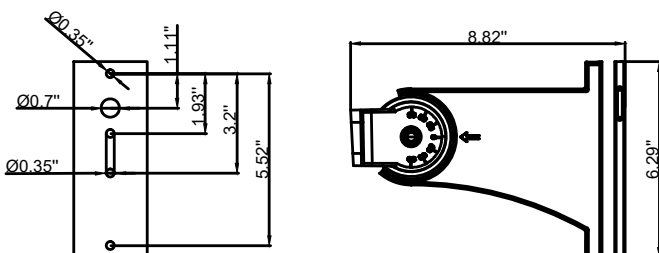
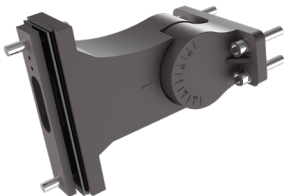
Yoke Mount

MYK-AR-G2B



Adjustable Arm Mount

MAM-AR-G2



ACCESSORIES

Shield	SHD-AR-01	Shield	SHD-AR-02
House Side Shield For 100W&150W[‡] 		House Side Shield For 300W[‡] 	

[‡] For Iso-line profiles contact ATG LED Lighting

10 YEAR WARRANTY

ATG Electronics®

Industry Leading 10 Year Limited Warranty For North American LED Lighting Fixtures

ATG Electronics warrants to the original purchaser of ATG Electronics Domestic LED products listed above that were manufactured for which the ATG Electronics Spec Sheet located on our website contains the words “10 year limited warranty” that, subject to the below terms and conditions of this warranty, when such LED products are properly installed they will comply with ATG Electronics published product specifications for such products and will be free from material defects in material and workmanship for a period of ten (10) years from the date of sale by ATG Electronics, or, if lesser, 50,000 hours of operation (at an average of 13.6 hours per day operation). The LED arrays in the Product(s) will be considered defective in material or workmanship only if a total of 15% or more of the individual light emitting diodes in the Product(s) fail to illuminate.

The above express limited warranty is extended by ATG Electronics® only to the original or first end-user purchaser and only for the original installed location. This warranty only applies to products purchased after June 1, 2017. This warranty is non-transferrable, whether by assignment or operation of law. The original purchaser must provide warranty claims to ATG Electronics within the warranty period promptly upon discovery and in accordance with ATG Electronics Return and Repair Procedures as outlined within this document.

Should any defects be found by ATG Electronics upon its inspection of the properly returned product, ATG Electronics sole responsibility and liability under this warranty will be, at its option, to either repair or replace the defective part or parts or else make available a new replacement unit that will provide equal or better performance. All decisions regarding the existence or non-existence of defects or otherwise affecting the warranty shall be made by ATG ELECTRONICS and shall be final and binding on all parties. Where a defective LED product is replaced under this warranty, the balance of the original warranty period shall remain effective.

Conditions and Exclusions

This warranty is conditioned upon proper installation, use and maintenance. This warranty will automatically become null and void and shall not be applicable to any LED fixture which (i) has not been timely paid for, (ii) is not installed and operated in accordance with the current edition of The National Electric Code (NEC), the Standards for Safety of Underwriters’ Laboratory, Inc. (UL) or with ATG Electronics instructions and guidelines, (iii) has been moved from its original installation, (iv) has been installed within an area that has exposure to sulfur or any area with high acidic compounds in use, (v) has been operated in an ambient temperature or humidity that is higher than 35 degrees Celsius, (vi) has been subjected to a lightning strike, power surge or over voltage condition, (vii) has its LED Board subjected to static electricity due to failure to discharge same prior to connecting or disconnecting the lead from the LED board, (viii) was not installed and/or operated in accordance with ATG Electronics instructions and guidelines, (ix) has been mishandled, misused, abused, tampered with, modified or altered by anyone other than ATG ELECTRONICS, (x) has been subjected to abnormal stresses and operating conditions, or (xi) has been operated without over voltage and lightning protection devices in place.

Limitations

Disclaimers & Limitations of Liability

The foregoing warranty is exclusive of all other statutory, written or oral warranties and no other warranties of any kind, statutory, by operation of law or course of performance, or otherwise, are given, herein expressed or otherwise received. EXCEPT AS EXPRESSLY PROVIDED ABOVE, ATG ELECTRONICS DISCLAIMS ALL REPRESENTATIONS, WARRANTIES AND CONDITIONS OF ANY KIND, EXPRESS OR IMPLIED, REGARDING THE LED PRODUCTS AND ITS SERVICES, INCLUDING, WITHOUT LIMITATION, THE IMPLIED WARRANTIES OF MERCHANTABILITY AND FITNESS FOR A PARTICULAR USE OR PURPOSE.

LIMITATION OF LIABILITY. Other than the obligation to repair or replace as provided above, ATG Electronics shall have no liability for any losses, expenses or damages as a result of the installation, use, inability to use, removal or replacement of any LED product. ATG Electronics will not under any circumstances whether as a result of breach of contract, breach of warranty, tort, strict liability or otherwise be liable for consequential, incidental, special or exemplary damages including but not limited to, loss of profits or revenues, loss of any other goods or associated equipment or

damage to any associated equipment, cost of capital, cost of substitute products, facilities or services, down time cost or claims of claimant’s customers. ATG Electronics liability on any claim of any kind for any loss or damages arising out of, resulting from or concerning any LED product, any aspect of this warranty or for any products or services furnished hereunder shall not exceed the price of the fixture which gives rise to the claim.

Return and Repair Procedures

All warranty requests and or questions are to be directed to ATG Electronics Customer Service Department (CSD) at 888-618-7298. If deemed necessary, the CSD will issue a Returned Merchandise Authorization (RMA) number which must be included on both the packing slip of the component or fixture being returned and on the outside of the box. You must include your name and contact information, including your email address, on the packing slip so that we can contact you easily. Each component or fixture must be packaged very carefully and properly so as to prevent damages in shipment and must be shipped freight prepaid. Please obtain a proof of delivery to ensure that the material is received.

Once the component or fixture has been received and tested, an evaluation report will be provided to the end user via email. This report will clarify the following:

- I) The component / fixture is covered under the warranty policy and will either be repaired or replaced.
- II) The component / fixture is not covered under the warranty policy and the reason for this determination.

If ATG ELECTRONICS determines that the component or fixture is covered under the warranty, then the appropriate repairs will be started or a replacement fixture will be manufactured and shipped. Please note that in the event the returned component or fixture is found not to be covered under this warranty, you may be subject to a labor charge for the evaluation process and will be responsible for all return shipping charges and fees. For components and fixtures determined to be covered under this warranty prior to the first anniversary of the Sale Date, the repaired or replacement component or fixture will be returned to you at no charge. You will be responsible for all other shipping charges.

No Labor Reimbursement

All components and fixtures determined to be covered by this warranty as provided above, will be repaired or replaced at no charge to the customer, however, except as expressly provided above with respect to recessed and linear fixtures during the first year, the customer must hire and pay for an electrician to remove and reinstall such components and fixtures. No labor costs will be covered for the removal or reinstallation of any components or fixtures. The warranty does not cover modifications, repairs or replacements, or the related labor or materials costs, that may be necessary to facilities or third party products in connection with the removal, repair, or replacement of any LED product under this warranty.