



The new ECO Flood Light is the environmentally preferred alternative to traditional metal halide lamps. It is the maintenance free and cost-effective solution to be widely used in illuminating facades, landscapes, parking areas, and apartment complexes.


Project Details		Type
Project:		
Product:		
Prepared by:		
Notes:		

Product Highlights
<ul style="list-style-type: none"> <li>• Sleek Design</li> <li>• High pressure die-cast housing</li> <li>• 0-10V Dimming(10%-100%)</li> <li>• Compatible with photocells</li> <li>• Up to 144 LPW efficacy</li> <li>• Suitable for wet locations</li> </ul>

Product Specs	
Input Voltage (VAC)	120-277/347-480* 50/60 Hz
Wattage	30, 50, 70, 100, 150, 240, 300
CCT (K)	3000K, 4000K, 5000K
Projected Lifetime	100,000 Hrs (L70)
Limited Warranty	5 Years <sup>†</sup>
CRI	70+
Finish Color	Bronze(RAL8019) Black(RAL9005) Customized*
Operating Temperature	-30°C ~ 50°C
IP Rating	IP65
IK Rating	IK08
Dimming Range	0-10V Dimming

<sup>†</sup>see website for warranty terms  
<sup>\*</sup>347-480V is available for above 70W  
<sup>\*</sup>Default finish is Bronze. Contact sales for lead time and extra cost on other finish colors.

**Certifications and Compatibilities**



## Order Format

Series	Wattage	CCT	Voltage	Finish	Control options
ELF	30	30 = (3000K)	Blank = (120-277V)	Blank = (Bronze)	PH
	50	40 = (4000K)	V = (347-480V)*		SE
	70	50 = (5000K)			EM
	100				
	150				
	240				
	300				

\*347-480V is available for above 70W

Factory Installed Options	
PH	JL-207C,3-Pin Photocell
SE	JL-403,Button Photocell
EM	JL-243,7-Pin Photocell

Mounting Accessories

Mounting Accessories & Glare Shield

KN	MKN-ELF-01,Knuckle Mount for ELF 30W/50W ELF Flood Light*Default*
SF	MSF-ELF-01,Slipfitter Mount for ELF 70W/100W/150W/240W/300W ELF Flood Light*Default*
UB1	MUB-ELF-01, U-Bracket for 30W ELF Flood Light
UB2	MUB-ELF-02, U-Bracket for 50W ELF Flood Light
UB3	MUB-ELF-03, U-Bracket for 70W/100W/150W ELF Flood Light
UB4	MUB-ELF-04, U-Bracket for 240W/300W ELF Flood Light
WM1	MWK-ELF-01,Wall Mount for 30W/50W ELF Flood Light
WM2	MWK-ELF-02,Wall Mount for 70W/100W/150W ELF Flood Light
SD1	SHD-ELF-01,Shield for 30W ELF Flood Light
SD2	SHD-ELF-02,Shield for 50W ELF Flood Light

Knuckle                      Slipfitter                      Wall Mount Kit                      Trunnion                      Shield



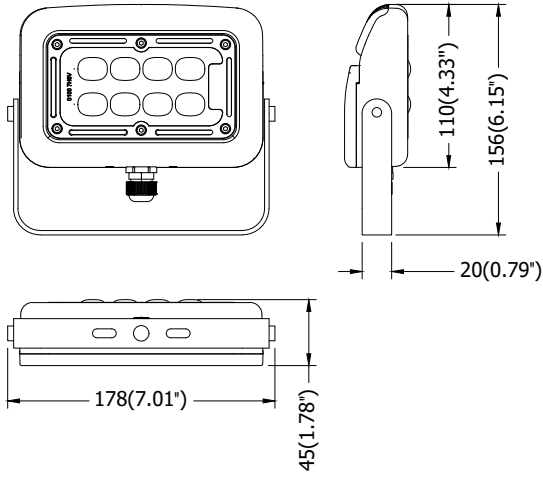
Performance Chart

Model Number	Voltage	PF	THD	B	U	g	Surge Protection Device (Driver Default, Optional Add On)
ELF-30-XX	120-277	0.9	<15%	2	2	1	—
ELF-50-XX	120-277	0.9	<15%	3	2	1	—
ELF-70-XX	120-277	0.9	<15%	3	2	2	—
ELF-100-XX	120-277 / 347-480	0.9	<15%	3	2	2	4KV(Driver)/10KV(Separate,Optional)
ELF-150-XX	120-277 / 347-480	0.9	<15%	4	3	3	6KV(Driver)/10KV(Separate,Optional)
ELF-240-XX	120-277 / 347-480	0.9	<15%	5	3	3	10KV(Driver)/10KV(Separate,Optional)
ELF-300-XX	120-277 / 347-480	0.9	<15%	5	3	3	10KV(Driver)/10KV(Separate,Optional)

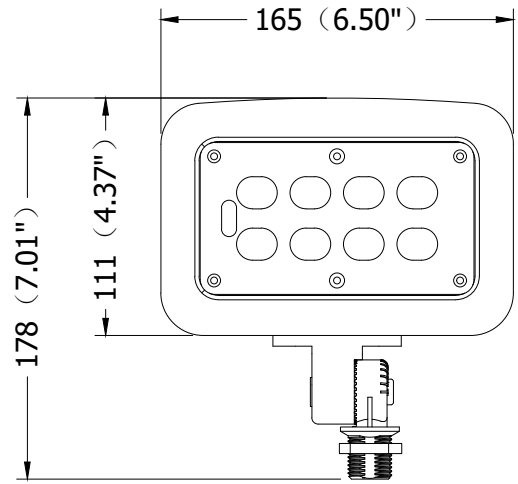
Model Number	Default Watts	CCT	RA	Optics	System Watts (W)	Efficacy (LM/W)	Lumens	Shipping
ELF-30-30	30	3000	70+	7H6V	29	132.5	3794	TBD
ELF-30-40		4000	70+	7H6V	29	132.0	3818	TBD
ELF-30-50		5000	70+	7H6V	29	132.5	3854	TBD
ELF-50-30	50	3000	70+	7H6V	54	132.7	7192	TBD
ELF-50-40		4000	70+	7H6V	54	133.7	7244	TBD
ELF-50-50		5000	70+	7H6V	54	134.7	7302	TBD
ELF-70-30	70	3000	70+	7H6V	72	140.7	10155	TBD
ELF-70-40		4000	70+	7H6V	72	141.7	7 10230	TBD
ELF-70-50		5000	70+	7H6V	72	143.7	10383	TBD
ELF-100-30	100	3000	70+	7H6V	101	137.8	13964	TBD
ELF-100-40		4000	70+	7H6V	101	138.8	14067	TBD
ELF-100-50		5000	70+	7H6V	101	139.9	14179	TBD
ELF-150-30	150	3000	70+	7H6V	153	135.1	20625	TBD
ELF-150-40		4000	70+	7H6V	153	136.0	20776	TBD
ELF-150-50		5000	70+	7H6V	153	137.1	20941	TBD
ELF-240-30	240	3000	70+	7H6V	249	139.2	34643	TBD
ELF-240-40		4000	70+	7H6V	249	140.2	34897	TBD
ELF-240-50		5000	70+	7H6V	249	141.3	35174	TBD
ELF-300-30	300	3000	70+	7H6V	310	134.6	41665	TBD
ELF-300-40		4000	70+	7H6V	310	135.5	41973	TBD
ELF-300-50		5000	70+	7H6V	310	136.6	42307	TBD

Dimensions

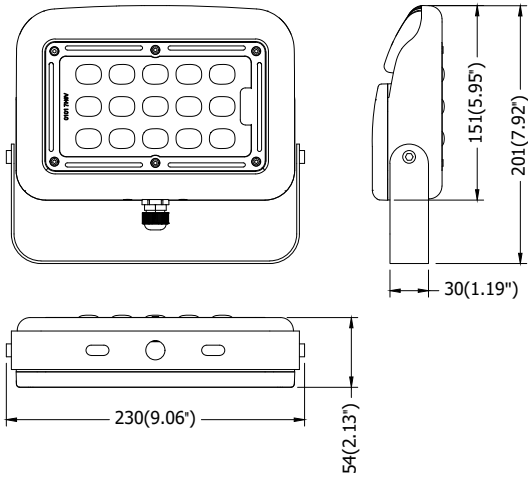
ELF-30W drawing with Trunnion



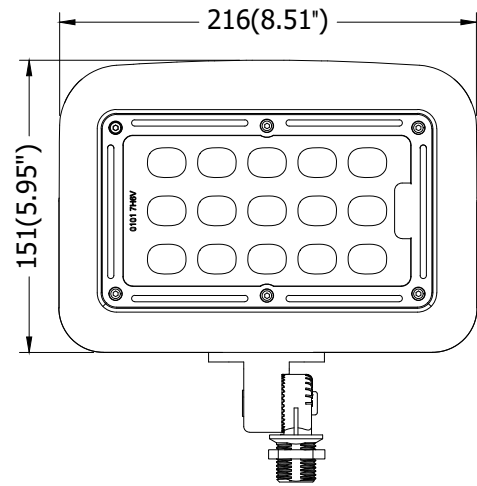
ELF-30W drawing with Knuckle Mount



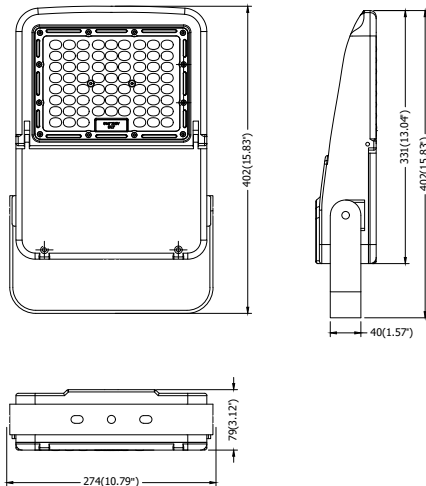
ELF-50W drawing with Trunnion



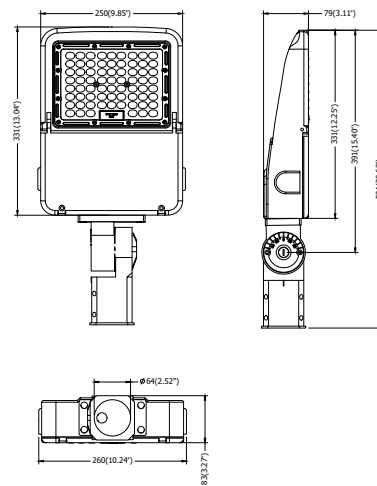
ELF-50W drawing with Knuckle mount



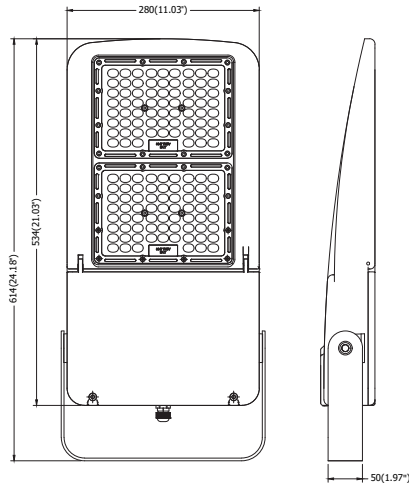
ELF-70W and 100W and 150W drawing with Trunnion



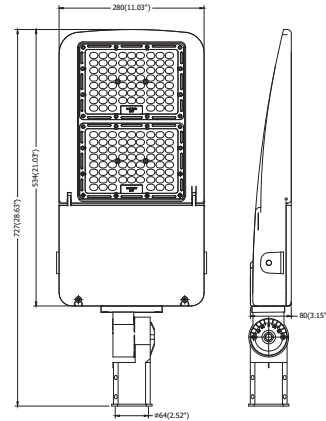
ELF-70W and 100W and 150W drawing with Slipfitter



ELF-240W and 300W drawing with Trunnion



ELF-240W and 300W drawing with Slipfitter



ZTGL-1100E(200-300尾座款尺寸图)

Electrical Accessories

JL-403C

Fix Mount Button Photocell



The JL-403C is an electronic photocell that fits in a standard outlet box, post lamp or light fixture.

FEATURES

- Rated Voltage 120-277V
- Rated Frequency 50/60 Hz
- Operate Level 10~20 lx On/30~80 lx Off
- Ambient Temperature -40°C~+70°C

[Download the PDF of the JL-403C here.](#)

JL-207

3-Pin Photocell



The JL-207 photocell series is applicable to control street lighting, garden lighting, passage lighting and doorway lighting automatically in accordance with the ambient natural lighting level.

FEATURES

- Rated Voltage 120-277V
- Rated Frequency 50/60 Hz
- Power Consumption 0.5W
- Typical On/Off Level 16 lx On/24 lx Off
- Ambient Temperature -40°C~+70°C

[Download the PDF of the JL-207 here.](#)

JL-243

7-Pin Photocell



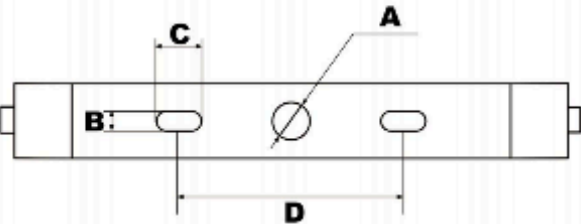
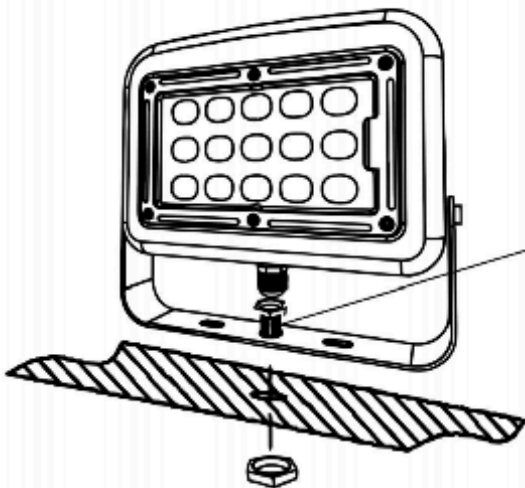
The JL-243 is applicable to control any independent LED lighting automatically in accordance with the ambient natural lighting level. The photocell is IP65 rated, with built-in 40KA Surge Arrester. The photocell is available with constant on/off dimming, midnight dimming and LED decay compensation.

FEATURES

- Rated Voltage 120-277V
- Rated Frequency 50/60 Hz
- Power Consumption 50 Lux
- Ambient Temperature -40°C~+70°C

[Download the PDF of the JL-243 here.](#)

Trunnion Pole Drilling Detail



	A(mm)	B(mm)	C(mm)	D(mm)
30W	Ø10.5	9	16	50
50W	Ø10.5	9	16	90
70W-300W	Ø12	10.5	25	90

EPA Chart

Angle	ELF-30-XX (KN)	ELF-50-XX (KN)	ELF-70-XX (KN)	ELF-100-XX (KN)	ELF-150-XX (KN)	ELF-240-XX (KN)	ELF-300-XX (KN)
0°	0.093 ft²	0.158 ft²	0.246 ft²	0.246 ft²	0.246 ft²	0.273 ft²	0.273 ft²
10°	0.105 ft²	0.177 ft²	0.275 ft²	0.275 ft²	0.275 ft²	0.389 ft²	0.389 ft²
20°	0.122 ft²	0.208 ft²	0.397 ft²	0.397 ft²	0.397 ft²	0.71 ft²	0.71 ft²
30°	0.143 ft²	0.241 ft²	0.562 ft²	0.562 ft²	0.562 ft²	1.01 ft²	1.01 ft²
40°	0.166 ft²	0.295 ft²	0.71 ft²	0.71 ft²	0.71 ft²	1.279 ft²	1.279 ft²
50°	0.19 ft²	0.341 ft²	0.84 ft²	0.84 ft²	0.84 ft²	1.51 ft²	1.51 ft²
60°	0.212 ft²	0.379 ft²	0.944 ft²	0.944 ft²	0.944 ft²	1.701 ft²	1.701 ft²
70°	0.225 ft²	0.415 ft²	1.019 ft²	1.019 ft²	1.019 ft²	1.836 ft²	1.836 ft²
80°	0.233 ft²	0.419 ft²	1.066 ft²	1.066 ft²	1.066 ft²	1.92 ft²	1.92 ft²
90°	0.235 ft²	0.426 ft²	1.079 ft²	1.079 ft²	1.079 ft²	1.945 ft²	1.945 ft²