



SKYLINE HIGH BAY

G4

ATG's Skyline Linear High Bay is built from the ground up for performance and versatility. Deployable in damp locations and temperatures ranging from -20° C to 50° C, this precisely constructed fixture is ideal for virtually all indoor commercial use. The Skyline series comes "Sensor-ready."

PRODUCT SPECS	
Input Voltage (VAC)	100-277, 347-480*
THD	<20%
CCT (K)	4000K, 5000K
PF	>0.9
IP Rating	IP20
CRI	80
L70 Hours per TM21-2008: REPORTED (Calculated)	60,000 Hrs (134,000 Hrs)
Housing	Steel
Color	White
Lens Material	PC, Clear
Lens Type	Standard (95Dx95D), Aisle (40Dx110D)**
Temperature Range	-20° C to 50° C
Warranty	10 Years

*Step down transformers are needed.

Please contact our sales team for lead time and pricing.

**Please contact our sales team for lead time about Aisle lens.

PROJECT DETAILS		TYPE
Project:		
Product:		
Prepared by:		
Notes:		

APPLICATIONS	
Application	Ceiling/Suspended
Fixture Type	High Bay (HB)
Warehouse	X
Manufacturing Facilities	X
Industrial and Distribution	X
Hospital and Healthcare Facilities	
Garage and Parking Lot	
Parks and Recreation	

ENABLED: Bluetooth DLC TruBlue SILVAIR

CERTIFICATIONS AND COMPATIBILITIES

ORDER FORMAT												
HBEL					F					G4		
Series	Length	Wattage	CCT	Lens	Distribution*	Input	Photocell	EM	Accessories**			
HBEL	B=1.4FT C=1.9FT D=2.6FT E=3.7FT	135P=135W/115W/110W Adjustable 200P=200W/185W/155W Adjustable 270P=270W/230W/200W Adjustable 400P=400W/360W/270W Adjustable★	40=4000K 50=5000K	F=Frosted	Blank=95°X95° distribution A=40°X110° distribution	Blank=100-277V V=347-480V	SO=IFS05SE SP=ANT-4D-VAL RI=RM51 R1=RC-100 LLLC System☆ LALC System☆	EH=YH28A	G4=Gen4	WGB=WG-HBEL-G4-B WGC=WG-HBEL-G4-C WGD=WG-HBEL-G4-D PMK=PML-HBEL-G4 SMK=SMK-HBEL-G4		

☆ For more information about LLLC and LALC system, please see accessory list below and contact our sales team.

*Please contact our sales team for lead time about Aisle lens.

**Accessories are ordered separately. These are not included in default packing.

★ 400P model is not DLC listed yet.

INFORMATION FOR LIGHTING CONTROLS APPLICATIONS

<p>LLLC - Luminaire Level Lighting Control (Mesh Network)</p> <p>LLLC</p>	<p>LALC - Local Area Lighting Control (Circuit Level)</p> <p>LALC</p>	<p>SAFC - Stand Alone Fixture Control</p> <p>SAFC</p>
		<p>Pole — POLE</p>
		<p>*possibly rebated on fixture only</p>
<p>Control-luminaire groupings typified by needs to a space or user, coordinated via wireless signals, executed at each luminaire. LLLC and networked solutions are highlighted by ability to operate independently or in mesh coordination. Note: they are not related by a power circuit.</p>	<p>LALC solutions are highlighted by their “many to one” arrangements. This can save on hardware costs with minimal labor increases. Characteristically they are linked (related) by power or control wires.</p>	<p>SAFC solutions have sensors that typically only detect and individually control a single fixture. Characteristically they have A) 1:1 sensor to fixture relationship; B) sensor integrally wired and/or affixed to fixture; C) Likely to have physical settings on the sensor, but may have hand held program tool.</p>

CONTROLS, OPTIONS, AND ACCESSORIES ↓ CLICKABLE LINKS ↓

LLLC - LUMINAIRE LEVEL LIGHTING CONTROL (MESH NETWORK)

ATG Code	Description	Model Number
W4	Bi-level PIR Occ sensor	PSC-BL-I-FM-DC0-BLE-SR
W5	Bi-Level PIR Occupancy Sensor Side Mounted, 100-277V	PSC-BL-I-FM-110-BLE-SR
P7	12V Power Supply for fixture mount w/relay	PSC-AC-PP-700C
P4	12V Power Supply for fixture mount (no relay)	PSC-AC-PP-400
L1	LENS, LOW BAY 30FT H X 60FT DIA WH	PIR-BL01-F3-LBL
L2	LENS, LOW BAY 30FT H X 60FT DIA BN	PIR-BL01-F3-LBL-BN
L3	LENS, HIGH BAY 4FT H X 70FT DIA WH	PIR-BL01-F5-HBL
L4	LENS, HIGH BAY 4FT H X 70FT DIA BN	PIR-BL01-F5-HBL-BN
A1	Arm, High Bay Offset extension	ARM

LALC - LOCAL AREA LIGHTING CONTROL (CIRCUIT LEVEL)

ATG Code	Description	Model Number
W4	Bi-level PIR Occ sensor	PSC-BL-I-FM-DC0-BLE-SR
W9	12V Wireless Fixture Controller	PSC-WCM-50-DC0-BLE-SR
P5	Room controller, KO mounted, 120-277In / 12VC and 0-10V out / 16A	PSC-WCM-450-BLE-SR
P7	12V power supply for fixture mount with relay	PSC-AC-PP-700C

SAFC - STAND ALONE FIXTURE CONTROL

ATG Code	Description	Model Number
SO	Microwave Motion Sensor for G4 Skyline Highbay, 12VDC Driven	IFS05SE
SP	PIR Bi-Level Occupancy Sensor with Daylight Function, 12VDC Driven	ANT-4D-VAL
RI	Remote for IFS05SE	RM-51
R1	Remote for ANT-4D-VAL	RC-100

ACCESSORIES

ATG Code	Description	Model Number
WGB	Wire Guard for Skyline G4, Model B	WG-HBEL-G4-B
WGC	Wire Guard for Skyline G4, Model C	WG-HBEL-G4-C
WGD	Wire Guard for Skyline G4, Model D	WG-HBEL-G4-D
PMK	Pendant Mount Kit for Skyline G4	PMK-HBEL-G4
SMK	Surface Mount Kit for Skyline G4	SMK-HBEL-G4
EH	Emergency Battery Backup	YH28A

PROJECTED LUMEN MAINTENANCE

Model	Ambient Test Temp	Reported Hours	0 Hrs	25,000 Hrs	50,000 Hrs	TM21-11 [†] 60,000Hrs	100,000 Hrs	L70 Hrs
HBELB-135P-XXF-G4	25° C / 77° F	60,000	1	0.94	0.88	0.85	0.76	132,000
HBELB-200P-XXF-G4	25° C / 77° F	60,000	1	0.94	0.88	0.85	0.76	132,000
HBELB-270P-XXF-G4	25° C / 77° F	60,000	1	0.94	0.88	0.86	0.77	134,000
HBELB-400P-XXF-G4	25° C / 77° F	60,000	1	0.94	0.88	0.86	0.77	134,000

[†] Projected per IESNA TM-21-11

[‡] DLC Reported Hours = Max 6x LM-80 tested duration (SSC STWxC25B-XX @ 9,000 Hrs)

APPLICATION

This Linear High Bay is best mounted via V-hook or surface mounting. The fixture can also be mounted through pendant, or chain. Our lighting consultant can work with you to determine the optimal model for your mounting height. **V-hook and jack chain as standard included in box.** The Skyline G4 operates from -4° F to 122° F (-20° c to 50° C)

CONSTRUCTION

The Skyline G4 housing is formed from heavy gage sheet steel, and features paint after fabrication for both light and industrial uses. An optional frosted diffuser available for glare reduction.



ELECTRICAL

The luminaire is available with wattages of 120-277Vac input. 347-480Vac application will need to add step down transformers.

OPTICS

The Skyline's light distribution is optimized for professional environments requiring high levels of illumination and visual detail.

LUMEN DATA

Model Number	4000K			5000K		
	Watts (W)	Efficacy (LM/W)	Lumens (Lm)	Watts (W)	Efficacy (LM/W)	Lumens (Lm)
HBELB-135P-XXF-G4	100	152	15,200	100	154	15,400
	115	150	17,250	115	152	17,480
	135	148	19,980	135	150	20,250
HBELC-200P-XXF-G4	155	152	23,560	155	154	23,870
	185	150	27,750	185	152	28,120
	200	148	29,600	200	150	30,000
HBELD-270P-XXF-G4	200	152	30,400	200	154	30,800
	230	150	34,500	230	152	34,960
	270	148	39,960	270	150	40,500
HBELE-400P-XXF-G4	270	148	39,960	270	150	40,500
	360	150	54,000	360	152	54,720
	400	152	60,800	400	154	61,600

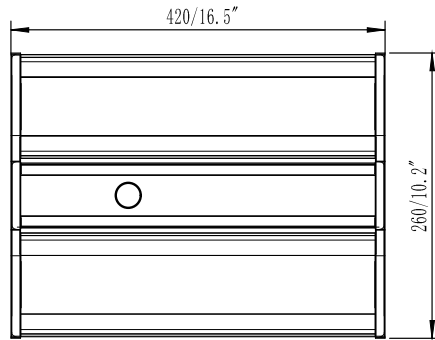
*All based on extrapolated data for standard distribution. HBELE-400P-XXF-GE is not DLC listed yet.

**"XX" is a placeholder for CCT which can be "40" for 4000K or "50" for 5000K.

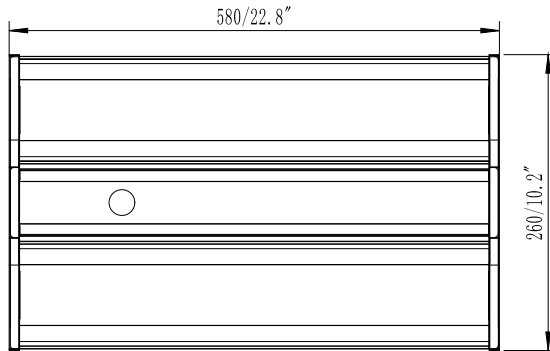
Model Number	DLC Information					
	Model Number	Product ID	Input	Wattage	Efficacy	Lumens
HBELD-270P-40F-G4	HBELD-270P-40F-[Blank,Sx,Ex]-G4	S-PHFYOE	120-277VAC	254.00	152.30	38709
	HBELD-270P-40F-[Blank,Sx,Ex]-G4 *factory setting 230W*	S-90GWX7	120-277VAC	219.00	154.50	33899
	HBELD-270P-40F-[Blank,Sx,Ex]-G4 *factory setting 200W*	S-VNGH2Q	120-277VAC	193.00	156.80	30213
HBELD-270P-50F-G4	HBELD-270P-50F-[Blank,Sx,Ex]-G4	S-1NPGRC	120-277VAC	255.00	156.90	39521
	HBELD-270P-50F-[Blank,Sx,Ex]-G4 *factory setting 230W*	S-ITY3QC	120-277VAC	219.00	157.10	34471
	HBELD-270P-50F-[Blank,Sx,Ex]-G4 *factory setting 200W*	S-MPN8G7	120-277VAC	193.00	159.50	30723
HBELC-200P-40F-G4	HBELD-200P-40F-[Blank,Sx,Ex]-G4	S-4C63PO	120-277VAC	189.00	151.60	28580
	HBELD-200P-40F-[Blank,Sx,Ex]-G4 *default setting 185W*	S-NQAZBM	120-277VAC	175.00	153.40	26839
	HBELD-200P-40F-[Blank,Sx,Ex]-G4 *default setting 155W*	S-V25KHZ	120-277VAC	147.00	157.00	23029
HBELC-200P-50F-G4	HBELD-200P-50F-[Blank,Sx,Ex]-G4	S-QPDFM6	120-277VAC	188.00	152.90	28758
	HBELD-200P-50F-[Blank,Sx,Ex]-G4 *default setting 185W*	S-7TJX38	120-277VAC	175.00	154.70	27069
	HBELD-200P-50F-[Blank,Sx,Ex]-G4 *default setting 155W*	S-K3N2WH	120-277VAC	147.00	158.40	23226
HBELB-135P-40F-G4	HBELD-135P-40F-[Blank,Sx,Ex]-G4	S-3WL7FP	120-277VAC	127.00	153.10	19373
	HBELD-135P-40F-[Blank,Sx,Ex]-G4 *default setting 115W*	S-5JLVE4	120-277VAC	107.00	156.90	16833
	HBELD-135P-40F-[Blank,Sx,Ex]-G4 *default setting 100W*	S-KT7M3P	120-277VAC	95.00	159.50	15100
HBELB-135P-50F-G4	HBELD-135P-50F-[Blank,Sx,Ex]-G4	S-2WIFUO	120-277VAC	126.00	155.20	19623
	HBELD-135P-50F-[Blank,Sx,Ex]-G4 *default setting 115W*	S-OQ8MEU	120-277VAC	107.00	159.10	17065
	HBELD-135P-50F-[Blank,Sx,Ex]-G4 *default setting 100W*	S-12C83P	120-277VAC	95.00	161.70	15308

DIMENSIONS

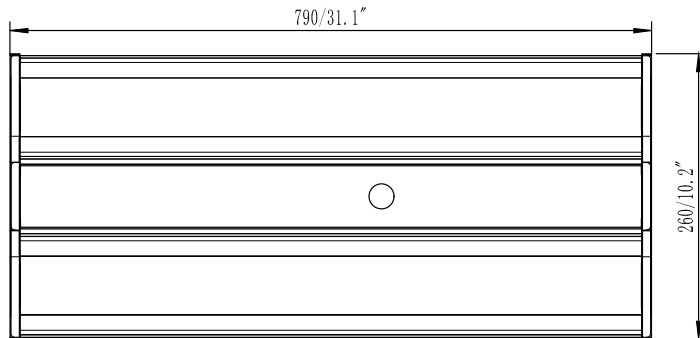
HBELB



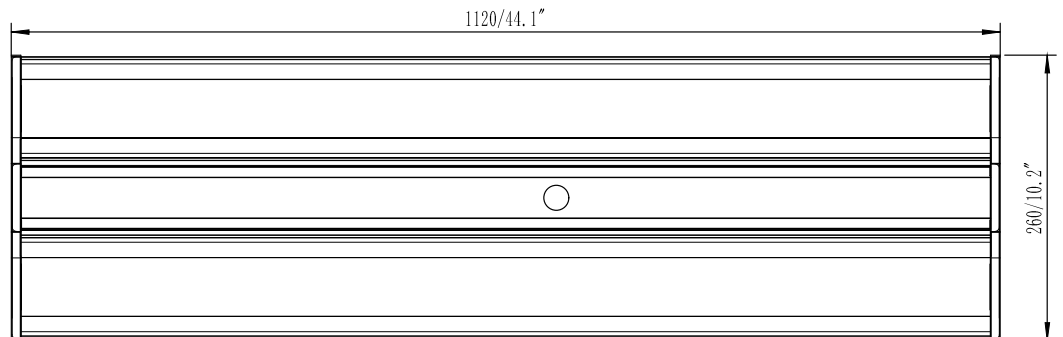
HBELC



HBELD

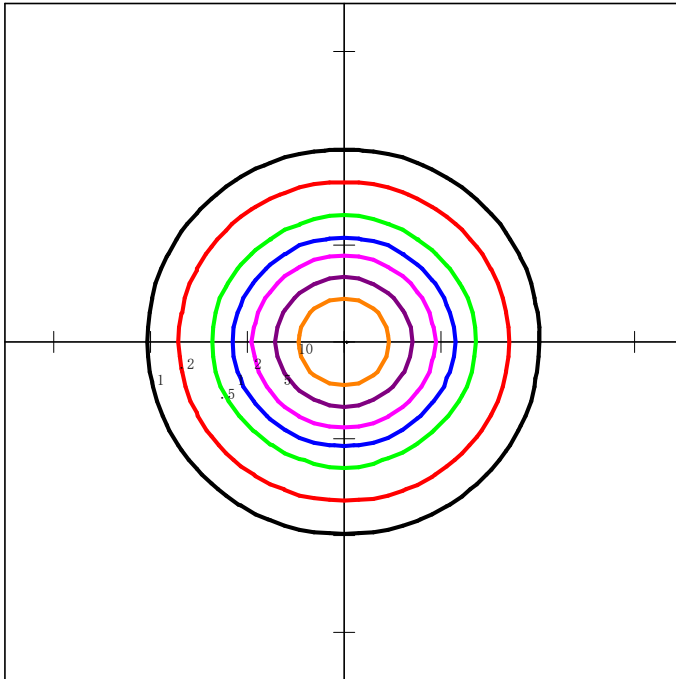


HBELE



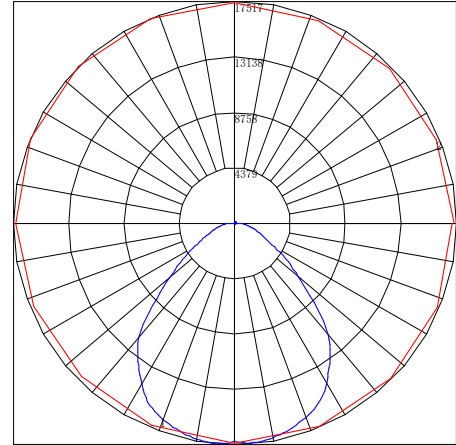
Part Number	Length	Width	Depth
HBELB-135P-XXF-G4	16.5"	10.2"	1.77"
HBELC-200P-XXF-G4	22.8"	10.2"	1.77"
HBELD-270P-XXF-G4	31.1"	10.2"	1.77"
HBELE-400P-XXF-G4	44.1"	10.2"	1.77"

COVERAGE



ATG Electronics Corp.
HBELD-270P-50F-[Blank,Sx,Ex]-G4

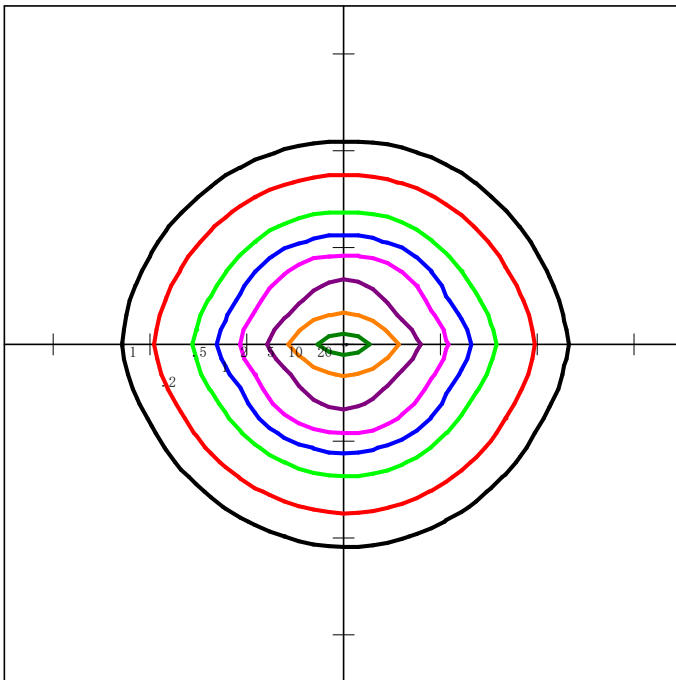
Horizontal Footcandles
Scale: 1 Inch = 40 Ft.
Light Loss Factor = 1.00
Lumens Per Lamp = N.A. (absolute photometry)
Luminaire Lumens = 39531
Mounting Height = 30.00 Ft
Maximum Calculated Value = 19.22 Fc
Arrangement: Single



Maximum Candela = 17516.8 Located At Horizontal Angle = 112.5, Vertical Angle = 5
1 - Vertical Plane Through Horizontal Angles (112.5 - 232.5) (Through Max. Cd.)
2 - Horizontal Cone Through Vertical Angle (5) (Through Max. Cd.)

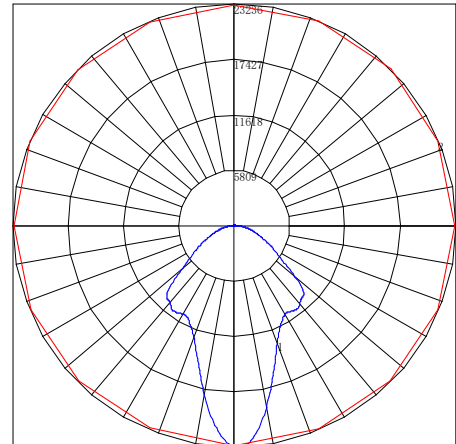
HBELD-270P-50F-[Blank,Sx,Ex]-G4

Wattage	270W
CCT	5000K
Distribution	95° X 95°
Lumens	39,351 LM
Mounting	30 FT
Max FC	19.22 FC
Scale	1 INCH= 40 FT



ATG Electronics Corp.

Horizontal Footcandles
Scale: 1 Inch = 40 Ft.
Light Loss Factor = 1.00
Lumens Per Lamp = 41044
Total Lamp Lumens = 41044
Mounting Height = 30.00 Ft
Maximum Calculated Value = 25.75 Fc
Arrangement: Single

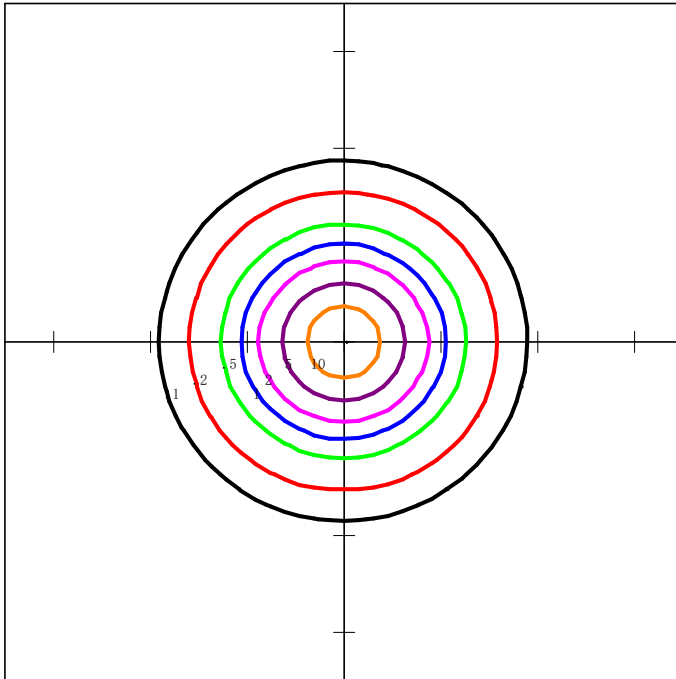


Maximum Candela = 23236 Located At Horizontal Angle = 67.5, Vertical Angle = 1
1 - Vertical Plane Through Horizontal Angles (67.5 - 247.5) (Through Max. Cd.)
2 - Horizontal Cone Through Vertical Angle (1) (Through Max. Cd.)

HBELD-270P-50FA-[Blank,Sx,Ex]-G4

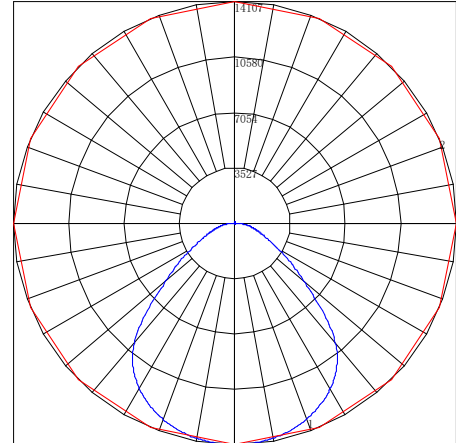
Wattage	270W
CCT	5000K
Distribution	40° X 110°
Lumens	41,044 LM
Mounting	30 FT
Max FC	25.75 FC
Scale	1 INCH=40 FT

COVERAGE



ATG Electronics Corp.

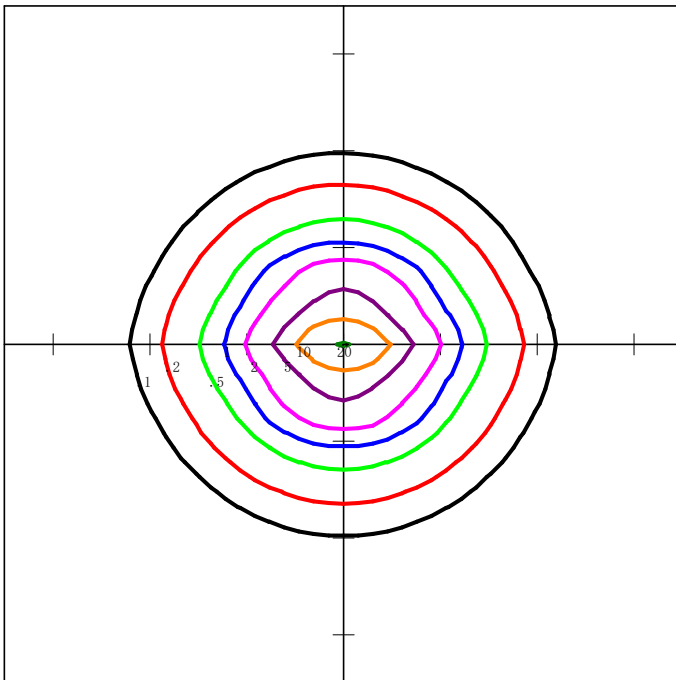
Horizontal Footcandles
 Scale: 1 Inch = 40 Ft.
 Light Loss Factor = 1.00
 Lumens Per Lamp = 31257
 Total Lamp Lumens = 31257
 Mounting Height = 30.00 Ft
 Maximum Calculated Value = 15.67 Fc
 Arrangement: Single



Maximum Candela = 14107 Located At Horizontal Angle = 22.5, Vertical Angle = 1
 # 1 - Vertical Plane Through Horizontal Angles (22.5 - 202.5) (Through Max. Cd.)
 # 2 - Horizontal Cone Through Vertical Angle (1) (Through Max. Cd.)

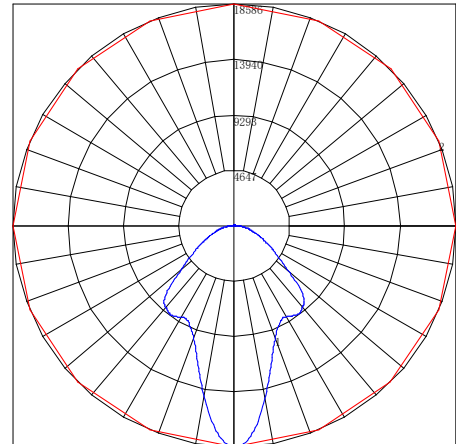
HBELD-270P-50F-[Blank,Sx,Ex]-G4

Wattage	200W
CCT	5000K
Distribution	95° X 95°
Lumens	31,257 LM
Mounting	30 FT
Max FC	15.67 FC
Scale	1 INCH= 40 FT



ATG Electronics Corp.

Horizontal Footcandles
 Scale: 1 Inch = 40 Ft.
 Light Loss Factor = 1.00
 Lumens Per Lamp = 32998
 Total Lamp Lumens = 32998
 Mounting Height = 30.00 Ft
 Maximum Calculated Value = 20.64 Fc
 Arrangement: Single



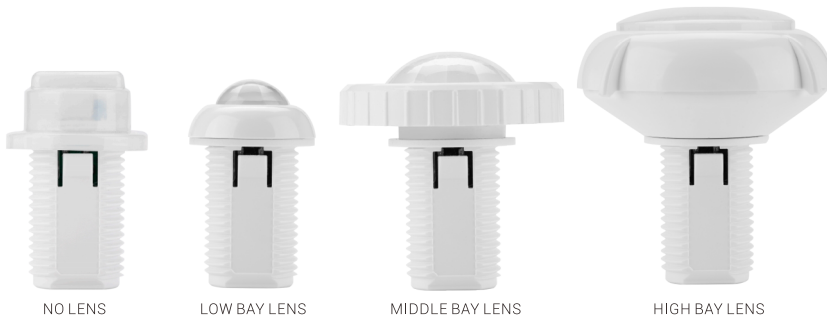
Maximum Candela = 18586 Located At Horizontal Angle = 90, Vertical Angle = .5
 # 1 - Vertical Plane Through Horizontal Angles (90 - 270) (Through Max. Cd.)
 # 2 - Horizontal Cone Through Vertical Angle (.5) (Through Max. Cd.)

HBELD-270P-50FA-[Blank,Sx,Ex]-G4

Wattage	200W
CCT	5000K
Distribution	40° X 110°
Lumens	32,998 LM
Mounting	30 FT
Max FC	20.64 FC
Scale	1 INCH= 40 FT

PIR MOTION SENSOR

INTEGRATED LOW VOLTAGE DAYLIGHT HARVESTING/BI-LEVEL PIR MOTION SENSOR-IFS05SE



SPECIFICATIONS AND FEATURES	
Input Voltage	12V DC
Input Current	8mA
Standby Power	< 0.5W
Warranty	Five years warranty
Detection range	32-80ft Max
Mounting height	23-35ft Max
IP rate	IP20
Op.temperature	-22 °F ~131 °F (-30°C ~55°C)
Sink current	≤ 10mA

IFS05SE is compactsize PIRsensor combines occupancy sensing with photocell.When used with O-10Vdim-to-off LED drivers,it enables any lighting manufacturer to deliversensor-equipped fixtures with minimalengineering effort.

It operates on 12VDC whichcan besupplied by a LED driver,which willsave OEM cost on manufacturer side Different mode can be selected according to different applications through RM51IRremote controller.

The integrated photocellcan switch the lights on and off for dusk todawncontrol,sothatlighting remains on overnight even without motion detection.

Under daylightharvesting mode, the auto-calibration funcation can controlthe amount of electric light by measuring the overall combined natural and electric light to achieve the desired light level

Supportpushbutton wire connection.Support superlow profle luminaire.

REMOTE INSTRUCTION

Memory Mode(Commissioning) To begin commissioning, follow the steps below:

- 1.Select either A, B, C,D.
- 2.Indicator lights on the remote will flash to indicate the current saved settings.
- 3.Settings can be configured by pressing appropriate buttons in the highlighted gray area of the remote.(TRIM-LEVEL, SENSITIVITY,HOLD TIME,STANDBY DIM,STANDBY TIME,and PHOTOCELL).Review selected settings and make changes as necessary.
- 4.Point IR remote to desired luminaire for configuration and press"SEND".
- 5.If configuration is successful, luminaire will flash two times suggesting settings are saved.Any parameter change to the current saved settings on Ato F will override previous settings and will be automatically saved on the remote. If configuring multiple luminaires, select the configured memory mode A to Ethen follow steps 4 and 5.

*** E Mode allows visual adjustment to choose the desired dimming Level.

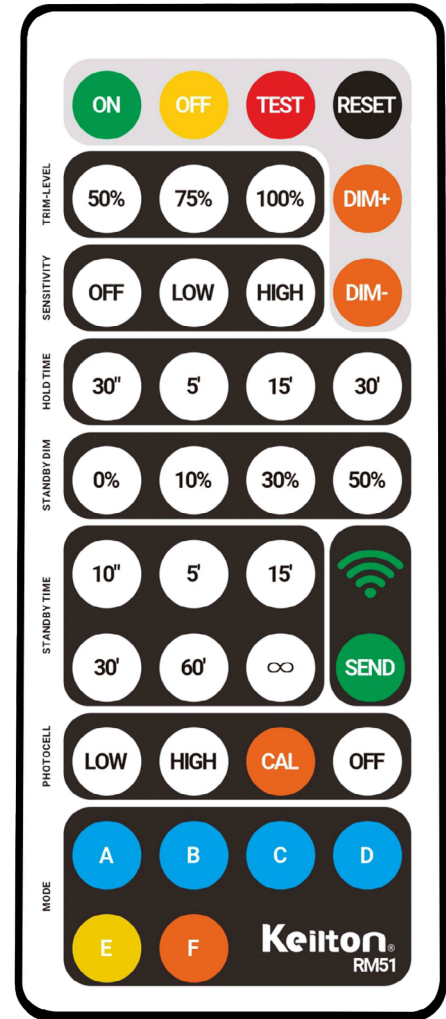
Continuous Adjustment Mode or Daylight Harvesting(F Mode)

Enables dimmability in response to daylight availability.

- 1.Point IR remote to desired luminaire
- 2.Press"ON"then press DIM+ orDIM-to adjust dimming level.
- 3.Press"F",indicator lights on the remote will indicate current saved settings. Note: only TRIM-LEVEL,SENSITIVITY, and HOLD TIME can be selected for Daylight Harvesting settings.
- 4.Review selected settings and make changes as necessary. Press" SEND".
- 5.If configuration is successful, luminaire will flash twice to confirm setting saved. If configuring multiple luminaires, select the configured DAYLIGHT HARVESTING settings then follow steps 4 and 5.
- 6.Default Settings:Motion-->100%,No Motion>=5min -->dim to 30%,No Motion>=60min-->Off

REMOTE INSTRUCTION

ON	Turns On Luminaires
OFF	Turns OFF Luminaires
TEST	Test mode will last 5mins then return to previous setting. Test mode :hold time 2s,standby Dim level 50%,standby time 2s.
RESET	Trim-High=100%,sensitivity=High,T1=5min,Standby Dim=30%, T2=60min,Photocell=OFF
DIM+/-	Remote will manually dim luminaire up or down by increments of 0.5volts.Must be smooth dimming if holding dimming button.
TRIM-LEVEL	Set Maximum threshold value 50/75/100%
SENSITIVITY	OFF(PIR OFF Enter PC ON/OFF function)/LOW(50%)/HIGH(100%)
HOLD TIME	(time of no occupancy after which fixture goes to stand by) 30s/ 5min/15min/30min
F MODE DAYLIGHT HARVESTING	(Enable/Disable)Measure and set feature to allow the fixture to maintain a light level.If turned ON.
STANDBY DIM	Select any standby dim level 0/10/30/50%
STANDBY TIME	Stand by time-10s/5min/15min/30min/1h/ ∞ ." ∞ "means the stand-by time is infinite and the fixture is effectively controlled by the daylight sensor.
PHTOTOCELL	LOW (1fc) and HIGH (50fc) CAL Collecting The current Lux Level /OFF
MODE	Set settings to a Program profile A to F
SEND	Send setting to sensor
DEFAULT MODE A	Trim-High=100%,sensitivity=low,T1=30min,Standby Dim=50%, T2= ∞ ,Photocell=CAL
DEFAULT MODE B	Trim-High=100%,sensitivity=low,T1=30min,Standby Dim=50%, T2=15min,Photocell=CAL
DEFAULT MODE C	Trim-High=100%,sensitivity=low,T1=30min,Standby Dim=50%, T2=15min,Photocell=OFF
DEFAULT MODE D	Trim-High=50%,sensitivity=low,T1=30s,Standby Dim=50%, T2=30min,Photocell=CAL
DEFAULT MODE E	Manual Mode,Trim-High=100%
DEFAULT MODE F	Daylight Harvesting,Trim-Low=50%,sensitivity=low,T1=15min



A Mode

- 1.Turn OFF the light while ambient light >Photocell threshold(CAL set).
- 2.Turn the light to full-ON(100% trim level) while ambient light < Photocell threshold AND occupancy detected.
- 3.Dim the light to Standby DIM level after 30 mins(hold time) elapsed, and keep the brightness level until dawn.

B Mode

- 1.Turn OFF the light while ambient light >Photocell threshold(CAL set).
- 2.Turn the light to full-ON(100% trim level) while ambient light <Photocell threshold AND occupancy detected.
- 3.Dim the light to Standby DIM level after 30 mins(hold time) elapsed.
- 4.Turn OFF the light if no occupancy detected within another 1/2 TIME.

C Mode

- 1.Ambient light sensor(photocell) is disabled
- 2.Turn the light to full-ON while occupancy detected.
- 3.Dim the light to Standby DIM level after 30 mins(delay time) elapsed.
- 4.Turn OFF the light if no occupancy detected within another 1/2 TIME(standby time).

D Mode

- 1.Turn OFF the light while ambient light > Photocell threshold(CAL set).
- 2.Turn the light to 50%(Trim level) while ambient light < Photocell threshold(CAL set) AND occupancy detected.
- 3.Turn OFF the light if no occupancy detected within 30 mins(standby time).

SENSOR INSTALLATION

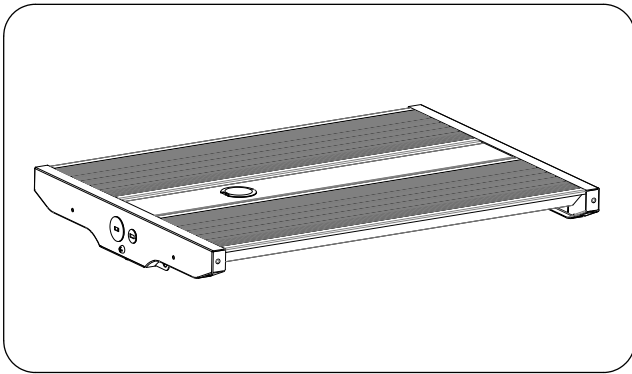


Figure 1

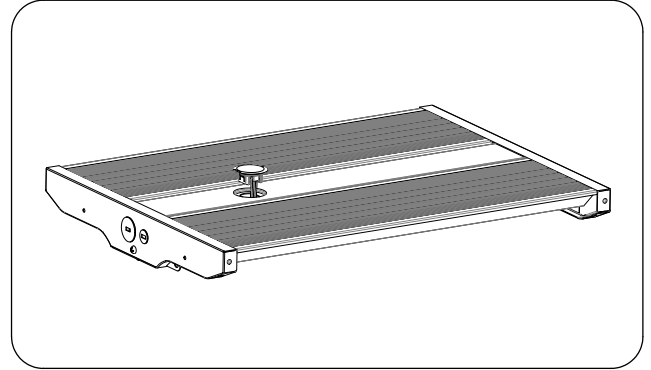


Figure 2

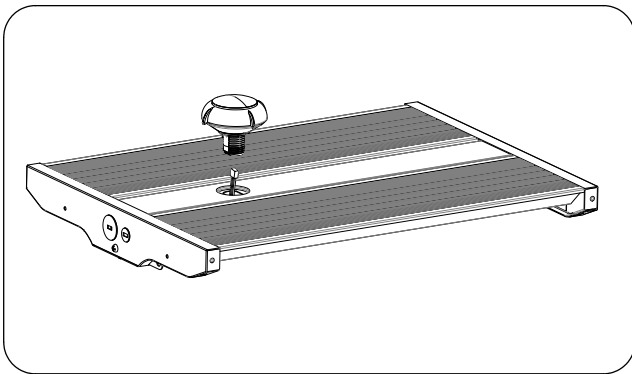


Figure 3

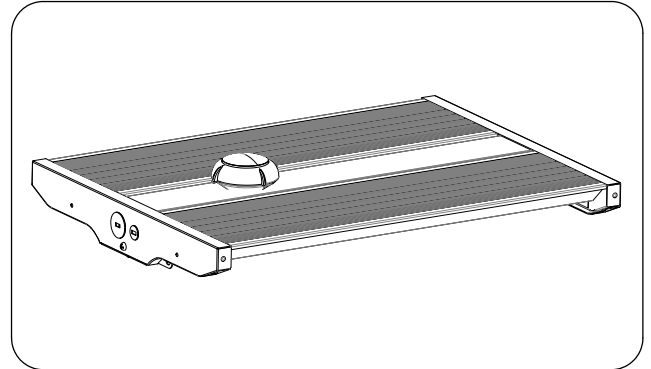


Figure 4

Step 1 :Remove the plate before or after you install the fixture.(Figure 1 and Figure 2)

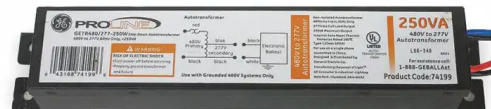
Step 2:Remove the flat cable from the back of the plate and insert the connector into the sensor terminal.(Figure 3)

Step 3:Install the approved sensor and make sure it is securely fit. (Figure 4)

EMERGENCY BATTERY BACKUP & STEP DOWN TRANSFORMER



YH/YH28A*



GE480/277-250W*
GE480/277-375W*

*Please click the hyperlink to find the spec sheet.

RELOC CABLES



OCS
Circuit Selector



OCU
Cord Unselectable



OD
Drop Cable

Examples	Ships Separately (Field Installation)	Ships Attached (Factory Installation)	Fixture w/o RELOC	Fixture with RELOC
	OCS 277	OCS	IBZ 454L GEB10PS90	IBZ 454L 277 GEB10PS90 OCS
OCS 120 18/3G 10	OCS4C10	IBZ 454L GEB10PS90	IBZ 454L 120 GEB10PS90 EL14 OCS4C10	

ORDERING INFORMATION

For shortest lead times configure product using **bolded options**.

Example: OCS 120 18/3G 10

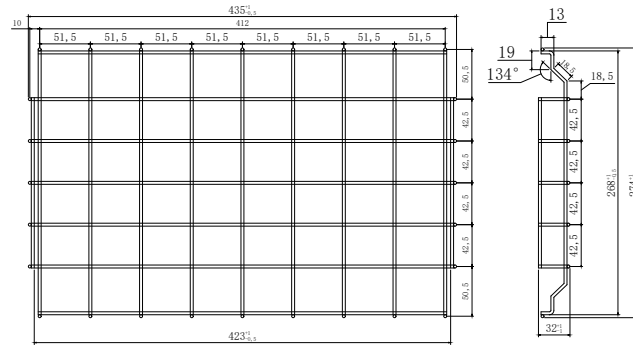
Series	Voltage	Conductors	Length	Modular Plug	Connector Type†	Device Color	Options				
OCS ‡	120	120V ‡	For 120, 277 and 347 Volts	RRL RELOC®-ready luminaires ‡	(blank) Not required	(blank) White	CSA Required when ordered for Canada ‡				
	208	208V	(blank) Three 18 AWG conductors, including ground					10	6ft.	L515	120V - NEMA L5 - 15R
	240	240V						15	10ft.	L520	120V - NEMA L5 - 20R
	277	277V‡	18/3G Four 18 AWG conductors, including ground‡					20	15ft.	L715	277V - NEMA L7 - 15R
	347	347V‡						25	20ft.	L720	277V - NEMA L7 - 20R
	480	480V	For 208, 240 and 480 Volts ‡					30	25ft.	L615	208V - NEMA L6 - 15R
			(blank) Four 18 AWG conductors, including ground					35	30ft.	L620	208V - NEMA L6 - 20R
								40	35ft.	L820	480V - NEMA L8 - 20R
								45	40ft.		
			50	45ft.							
				50ft.							

‡ Option Value Ordering Restrictions & Notes

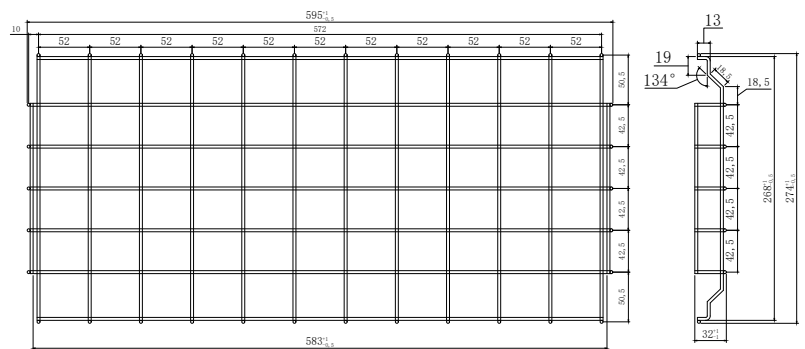
Option value	Restriction
120, 277, 347	For 2 neutral applications, order OCU with TAP22N to tap the second hot and neutral.
18/3G	When ordered with 120 or 277 or 347 volts, two selector switches will be provided for selection of any 2 of the 3 tap positions available.
Connector Type	NEMA receptacles available with three 18AWG conductors only.
CSA	Product label for fixture drops must state: "Not for interruption of current" when ordered for Canada.
For 208, 240 and 480 Volts	Single circuit or 3 phase applications with 208 or 240 or 480 volts have two selector switches for selecting any 2 of the 3 tap positions. For two circuit 208 or 240 or 480 volt applications, order OCU with TAP34 to tap the second circuit.
OCS	For ordering attached to an Acuity Brands lighting fixture, simply move the voltage before the ballast description and remove all other spaces from the OCS catalog number (see examples above).
RRL	For use with fixtures. Fixture must have RRL and wiring instruction installed to use this option. See fixture spec sheet for details and availability. See RRL spec sheet for connector details.

ACCESSORIES

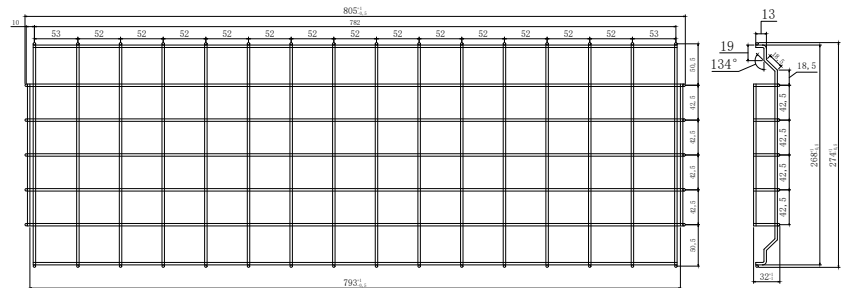
Wireguard
Model B, for HBELB-135P-XXF-G4
WG-HBEL-G4-B



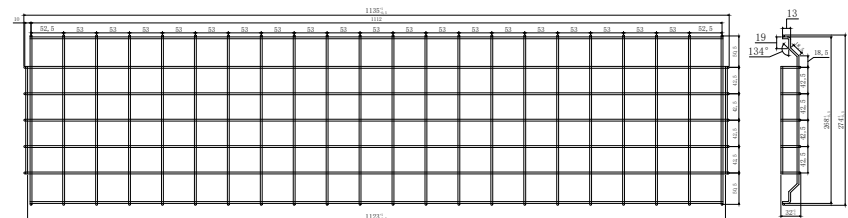
Wireguard
Model C, for HBELC-200P-XXF-G4
WG-HBEL-G4-C



Wireguard
Model D, for HBELD-270P-XXF-G4
WG-HBEL-G4-D



Wireguard
Model E, for HBELE-400P-XXF-G4
WG-HBEL-G4-E

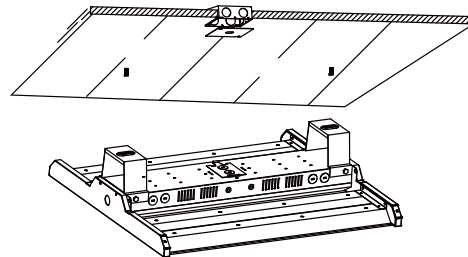
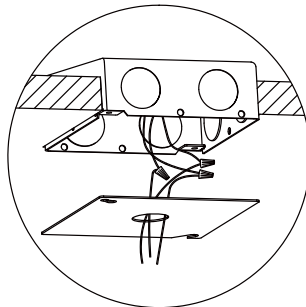
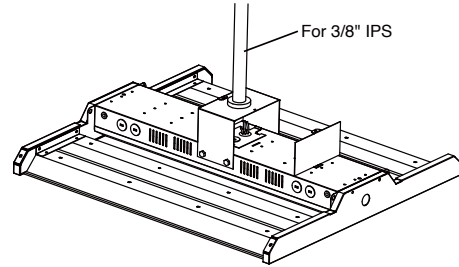
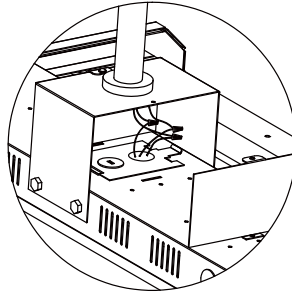


Measurement:mm

MOUNTING

**Pendant
Mounting Kit
PMK-HBEL-G4**

*The pipe is not included in
PMK-HBEL-G4



**Surface Mount
SMK-HBEL-G4**



10 YEAR WARRANTY

ATG Electronics®

Industry Leading 10 Year Limited Warranty For North American LED Lighting Fixtures

ATG Electronics warrants to the original purchaser of ATG Electronics Domestic LED products listed above that were manufactured for which the ATG Electronics Spec Sheet located on our website contains the words "10 year limited warranty" that, subject to the below terms and conditions of this warranty, when such LED products are properly installed they will comply with ATG Electronics published product specifications for such products and will be free from material defects in material and workmanship for a period of ten (10) years from the date of sale by ATG Electronics, or, if lesser, 50,000 hours of operation (at an average of 13.6 hours per day operation). The LED arrays in the Product(s) will be considered defective in material or workmanship only if a total of 15% or more of the individual light emitting diodes in the Product(s) fail to illuminate.

The above express limited warranty is extended by ATG Electronics® only to the original or first end-user purchaser and only for the original installed location. This warranty only applies to products purchased after June 1, 2017. This warranty is non-transferrable, whether by assignment or operation of law. The original purchaser must provide warranty claims to ATG Electronics within the warranty period promptly upon discovery and in accordance with ATG Electronics Return and Repair Procedures as outlined within this document.

Should any defects be found by ATG Electronics upon its inspection of the properly returned product, ATG Electronics sole responsibility and liability under this warranty will be, at its option, to either repair or replace the defective part or parts or else make available a new replacement unit that will provide equal or better performance. All decisions regarding the existence or non-existence of defects or otherwise affecting the warranty shall be made by ATG ELECTRONICS and shall be final and binding on all parties. Where a defective LED product is replaced under this warranty, the balance of the original warranty period shall remain effective.

Conditions and Exclusions

This warranty is conditioned upon proper installation, use and maintenance. This warranty will automatically become null and void and shall not be applicable to any LED fixture which (i) has not been timely paid for, (ii) is not installed and operated in accordance with the current edition of The National Electric Code (NEC), the Standards for Safety of Underwriters' Laboratory, Inc. (UL) or with ATG Electronics instructions and guidelines, (iii) has been moved from its original installation, (iv) has been installed within an area that has exposure to sulfur or any area with high acidic compounds in use, (v) has been operated in an ambient temperature or humidity that is higher than 35 degrees Celsius, (vi) has been subjected to a lightning strike, power surge or over voltage condition, (vii) has its LED Board subjected to static electricity due to failure to discharge same prior to connecting or disconnecting the lead from the LED board, (viii) was not installed and/or operated in accordance with ATG Electronics instructions and guidelines, (ix) has been mishandled, misused, abused, tampered with, modified or altered by anyone other than ATG ELECTRONICS, (x) has been subjected to abnormal stresses and operating conditions, or (xi) has been operated without over voltage and lightning protection devices in place.

Limitations

Disclaimers & Limitations of Liability

The foregoing warranty is exclusive of all other statutory, written or oral warranties and no other warranties of any kind, statutory, by operation of law or course of performance, or otherwise, are given, herein expressed or otherwise received. EXCEPT AS EXPRESSLY PROVIDED ABOVE, ATG ELECTRONICS DISCLAIMS ALL REPRESENTATIONS, WARRANTIES AND CONDITIONS OF ANY KIND, EXPRESS OR IMPLIED, REGARDING THE LED PRODUCTS AND ITS SERVICES, INCLUDING, WITHOUT LIMITATION, THE IMPLIED WARRANTIES OF MERCHANTABILITY AND FITNESS FOR A PARTICULAR USE OR PURPOSE.

LIMITATION OF LIABILITY. Other than the obligation to repair or replace as provided above, ATG Electronics shall have no liability for any losses, expenses or damages as a result of the installation, use, inability to use, removal or replacement of any LED product. ATG Electronics will not under any circumstances whether as a result of breach of contract, breach of warranty, tort, strict liability or otherwise be liable for consequential, incidental, special or exemplary damages including but not limited to, loss of profits or revenues, loss of any other goods or associated equipment or

damage to any associated equipment, cost of capital, cost of substitute products, facilities or services, down time cost or claims of claimant's customers. ATG Electronics liability on any claim of any kind for any loss or damages arising out of, resulting from or concerning any LED product, any aspect of this warranty or for any products or services furnished hereunder shall not exceed the price of the fixture which gives rise to the claim.

Return and Repair Procedures

All warranty requests and or questions are to be directed to ATG Electronics Customer Service Department (CSD) at 888-618-7298. If deemed necessary, the CSD will issue a Returned Merchandise Authorization (RMA) number which must be included on both the packing slip of the component or fixture being returned and on the outside of the box. You must include your name and contact information, including your email address, on the packing slip so that we can contact you easily. Each component or fixture must be packaged very carefully and properly so as to prevent damages in shipment and must be shipped freight prepaid. Please obtain a proof of delivery to ensure that the material is received.

Once the component or fixture has been received and tested, an evaluation report will be provided to the end user via email. This report will clarify the following:

- I) The component / fixture is covered under the warranty policy and will either be repaired or replaced.
- II) The component / fixture is not covered under the warranty policy and the reason for this determination.

If ATG ELECTRONICS determines that the component or fixture is covered under the warranty, then the appropriate repairs will be started or a replacement fixture will be manufactured and shipped. Please note that in the event the returned component or fixture is found not to be covered under this warranty, you may be subject to a labor charge for the evaluation process and will be responsible for all return shipping charges and fees. For components and fixtures determined to be covered under this warranty prior to the first anniversary of the Sale Date, the repaired or replacement component or fixture will be returned to you at no charge. You will be responsible for all other shipping charges.

No Labor Reimbursement

All components and fixtures determined to be covered by this warranty as provided above, will be repaired or replaced at no charge to the customer, however, except as expressly provided above with respect to recessed and linear fixtures during the first year, the customer must hire and pay for an electrician to remove and reinstall such components and fixtures. No labor costs will be covered for the removal or reinstallation of any components or fixtures. The warranty does not cover modifications, repairs or replacements, or the related labor or materials costs, that may be necessary to facilities or third party products in connection with the removal, repair, or replacement of any LED product under this warranty.