

# BCBLED22-32W-PRM-CP

Premium Low-Profile  
32 Watt 2x2 Center Basket



Project:	
Type:	
Catalog #:	



## STANDARD



The premium-performance BCBLED22-32W-PRM-CP is a low-profile 2' x 2' LED center basket luminaire, which offers industry-leading lumens per watt (LPW). The BCBLED22-32W-PRM-CP is designed as a direct replacement for 2' x 2' fluorescent luminaires installed in grid or plaster ceilings. It is designed to deliver general ambient lighting in a variety of indoor settings, including schools, offices, hospitals and stores, and is the perfect choice for both new construction and retrofits. This high-efficacy luminaire provides long-life and uniform illumination, as well as standard 0-10vdc dimming capability.

## FEATURES

- Available in 3000k (warm white), 3500k (warm/neutral white), 4000k (neutral white) & 5000k (cool white) color temperatures.\*
- Long-life LEDs provide 199,000 hours of operation with at least 70% of initial lumen output ( $L_{70}$ ).\*\*
- Provides 4,195 luminaire lumens (131 lumens per watt, LPW) at 3000k; 4,293 luminaire lumens (134 LPW) at 3500k; 4,371 luminaire lumens (137 LPW) at 4000k; and 4,527 luminaire lumens (141 LPW) at 5000k.\*
- Uniform illumination with no visible LED pixelation.
- Universal 120-277 AC voltage (50-60Hz) is standard.
- 0-10vdc dimming capability is standard.
- Power factor > 0.90.
- Total harmonic distortion < 20%.
- Color rendering index > 80.
- Steel housing and polycarbonate lens.
- Easy installation in new construction or retrofit. Fits in standard 2' x 2' grid ceilings.
- Standard earthquake clips provide secure installation in grid ceilings.
- Standard mounting options include recessed mounting in grid ceilings, or suspended mounting using attached hanging brackets. For other mounting options, see Mounting Kits.

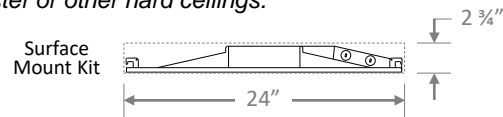
\* Contact factory for other color temperatures and lumen packages.  
\*\*  $L_{70}$  hours are IES TM-21-11 calculated hours.

## WARRANTY & LISTINGS

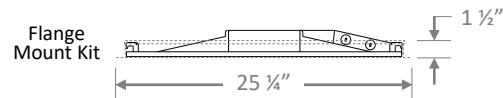
- UL listed for damp locations and insulated ceilings (IC-rated) for use in ambient temperatures from -20°C to 40°C (-4°F to 104°F).
- DLC Premium listed.
- Flicker-free per IEEE1789-2015 (low risk of adverse effects of flicker at 100% light output level).
- Complies with RoHS (Restriction on Hazardous Substances) requirements.
- Complies with FCC Part 15, part B.
- Complies with IEEE C.62.41-1991, input transient surge protection (2kV).
- 5-year warranty of all electronics and housing.

## MOUNTING KITS

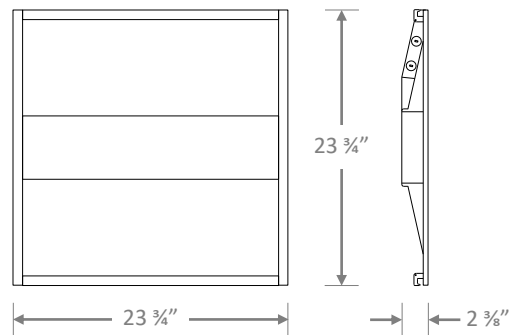
- Optional Surface Mount Kits (LEDSMKT-22) provide for installation on plaster or other hard ceilings.



- Flange Mount Kit (FLANGEKIT22-ET) mounts above plaster or other hard ceilings, and the center basket is mounted flush to the ceiling.



## DIMENSIONS



Weight: 6.2 lbs.

## ORDERING INFORMATION

Example: BCBLED22-32W-3KMV-PRM-CP + FLANGEKIT22-ET + LEDPNL-CMK

Model	Luminaire Watts	Luminaire Lumens	Lumens/Watt	Color Temp.	Input Voltage	DLC Listing	Options (Order Separately)
BCBLED22-32W	32	4,195 4,293 4,371 4,527	131 134 137 141	3K = 3000k 35K = 3500K 4K = 4000k 5K = 5000k	MV = Multi-volt (120-277V)	PRM-CP = DLC Premium	LEDSMKT-22 = Surface Mounting Kit for 2x2 FLANGEKIT22-ET = Flange Mounting Kit for 2x2 LEDPNL-CMK = Cable Mounting Kit, Quantity 6, 1 meter long, 1/16" diameter, with spring clips & adjustable, locking ceiling attachment

# BCBLED22-32W-PRM-CP

Premium Low-Profile  
32 Watt 2x2 Center Basket



## ELECTRICAL DATA

Model	Color Temp.	CRI <sup>1</sup>	Luminaire Lumens	Luminaire Watts	Lumens Per Watt	Input <sup>2</sup> Voltage	Input Current (A)			Power Factor	THD <sup>3</sup>	L <sub>70</sub> Hours <sup>4</sup>
							120V	240V	277V			
BCBLED22-32W-3KMV-PRM-CP	3000k	> 80	4,195	32	131	120-277	0.27	0.13	0.12	> 90%	< 20%	199,000
BCBLED22-32W-35KMV-PRM-CP	3500k	> 80	4,293	32	134	120-277	0.27	0.13	0.12	> 90%	< 20%	199,000
BCBLED22-32W-4KMV-PRM-CP	4000k	> 80	4,371	32	137	120-277	0.27	0.13	0.12	> 90%	< 20%	199,000
BCBLED22-32W-5KMV-PRM-CP	5000k	> 80	4,527	32	141	120-277	0.27	0.13	0.12	> 90%	< 20%	199,000

<sup>1</sup> Color rendering index.

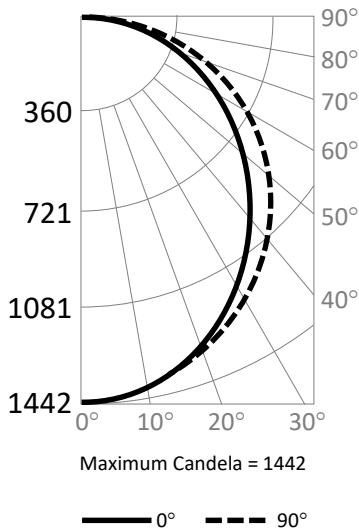
<sup>2</sup> All 50-60Hz.

<sup>3</sup> Total harmonic distortion.

<sup>4</sup> L<sub>70</sub> refers to the number of hours at which lumen output declines to 70% of the initial level. L<sub>70</sub> hours are IES TM-21-11 calculated hours.

## PHOTOMETRIC DATA

### BCBLED22-32W-5KMV-PRM-CP (4,195 Lumens)



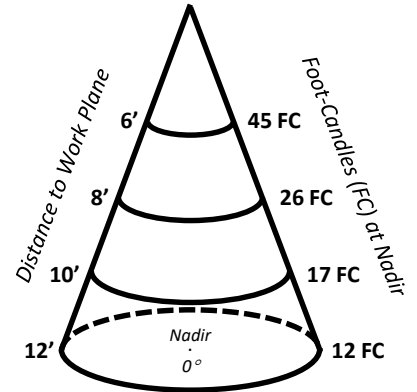
#### Candlepower Summary

	0°	90°
0°	1,437	1,437
10°	1,401	1,406
20°	1,307	1,325
30°	1,158	1,204
40°	972	1,051
50°	762	887
60°	541	723
70°	318	561
80°	117	314
90°	1	1

#### Zonal Lumen Summary

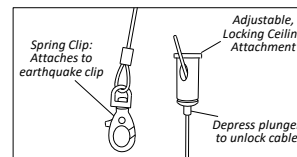
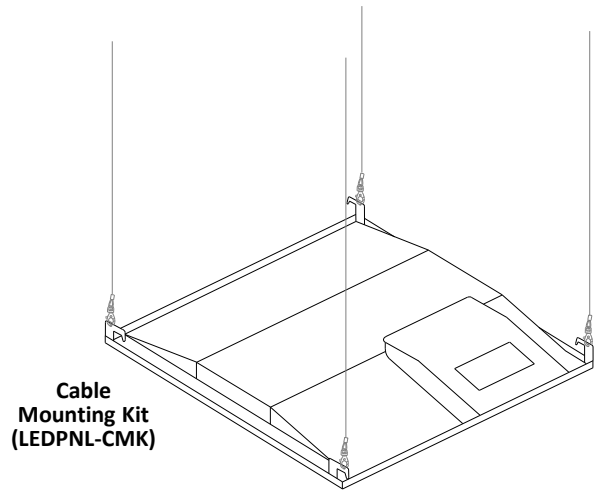
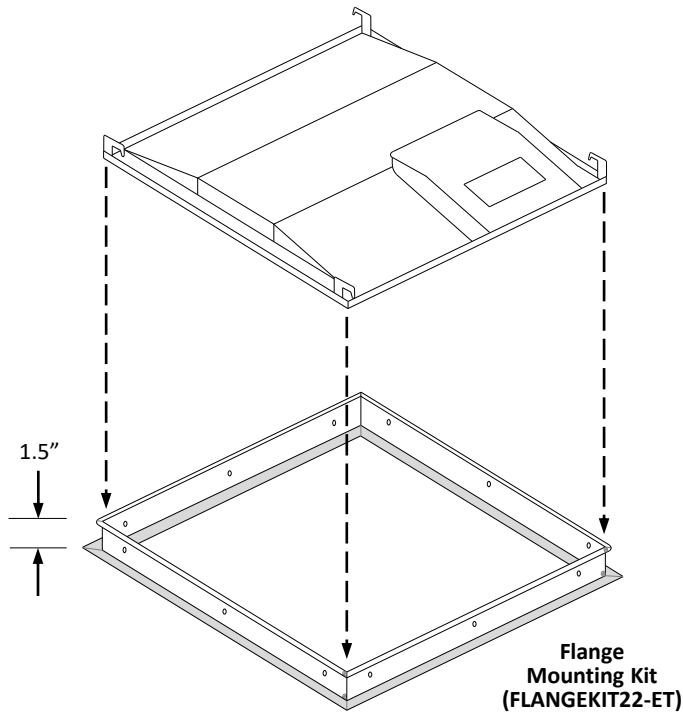
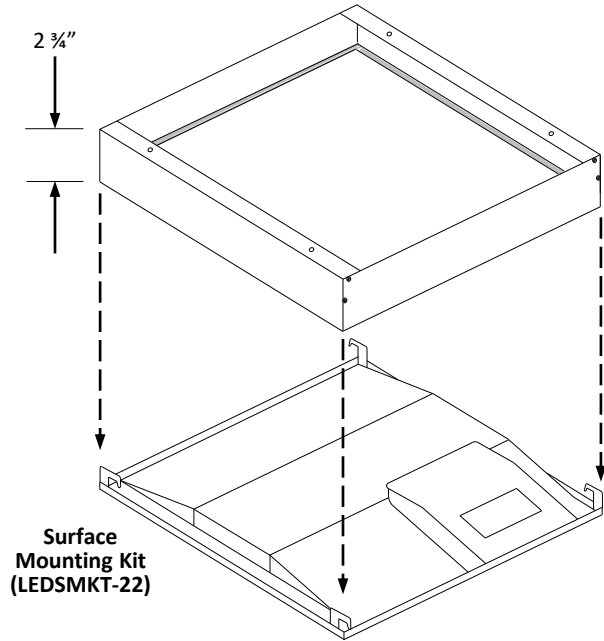
Zone	Lumens	% Fixture
0° – 10°	136	3.2%
0° – 20°	523	12.5%
0° – 30°	1,105	26.3%
0° – 40°	1,799	42.9%
0° – 50°	2,515	60.0%
0° – 60°	3,173	75.6%
0° – 70°	3,712	88.5%
0° – 80°	4,081	97.3%
0° – 90°	4,188	99.8%
90° – 180°	7	0.2%
0° – 180°	4,195	100.0%

#### Cone of Light



### MOUNTING KITS

- *Optional Surface Mounting Kit (LEDSMKT-22) mounts below the ceiling.*
- *Optional Flange Mount Kit provides for recessed installation on plaster or other hard ceilings. Attach Flange Mount Kit (FLANGEKIT22-ET) to ceiling joists or other stationary structures, and the panel is mounted flush to the ceiling.*
- *Optional Cable Mount Kit provides additional security, as well as suspended mounting. Attach one end of the Cable Mount Kit (LEDPNL-CMK) to luminaire earthquake clips using spring clips, and attach the other end to stationary structures using the adjustable, locking ceiling attachment (see picture below right).*



#### Cable Mount Kit:

- Spring Clip
- Adjustable, locking ceiling attachment