



Texas Fluorescents  
Reinvented

CATALOG# : \_\_\_\_\_  
PROJECT : \_\_\_\_\_  
TYPE : \_\_\_\_\_

# Series BFP

## BACK-LIT FLAT PANEL

Flat Panels are fast becoming one of the most popular styles for recessed lighting applications especially offices, corridors and other large areas with T Bar Grid Ceilings. The most common Flat Panels have been Edge-Lit by LED. Now Saylite is introducing Back-Lit Flat Panels that provide the look and economy of the popular Edge-Lit flat panels but have improved common quality issues with the lens and multiple wattages and color temperature options. It provides high uniformity, excellent efficiency and reduced glare in T-grid ceiling applications. Available in three different wattages: 2x2 is offered in 20 watt, 30 watt, and 40 watt, and 2x4 is offered in 30 watt, 40 watt, and 50 watt. Three color temperatures are also offered in each unit: 3500K, 4000K, and 5000K. It is dimmable with 0 to 10 Volt dimming.

### CONSTRUCTION

White polyester powder-coated durable aluminum housing.

### CONFIGURABLE MOUNTING OPTION

Recessed mounted. Consult for surface mount and pendant mount.



### DIMENSIONS

2x2 - 23.78"L x 23.78"W x 1.77"H

2x4 - 47.80"L x 23.78"W x 1.77"H

### FEATURES & BENEFITS

- Eliminates quality issues with the lens on Edge-lit Flat Panels
- Provides general illumination in residential, institutional and commercial interiors
- Backlit LED's evenly illuminate the entire surface of panel with soft, uniform light
- Provides 120 degree beam angle
- Sturdy frame prevents warping
- 2x2: defaulted in 30 Watt 4000K, Options 20W, 30W and 40W
- 2x4: defaulted in 40 Watt 4000K, Options 30W, 40W and 50W
- Suitable for dry or damp locations
- >50,000 hrs of L70 LED life
- 110 lumen per watt
- CRI >80
- 0-10 Volt dimmable 120-277V
- Power factor >0.90
- 5 year warranty



**ORDER INFORMATION**

SERIES	SIZE	WATTAGE & LUMENS	DRIVER	COLOR
BFP	22L 23.80"L x 23.80"W x 1.77"H	<b>30M3300M</b> Defaulted 30Watts / 3300 Lumens 20 Watts / 2200 Lumens, 30 Watts / 3300 Lumens, 40 Watts / 4400 Lumens options on a 3 positions switch.	DMV 0-10V Dimming	MCT Multiple Color Temperature 3500K, 4000K, 5000K on a 3 positions switch
	24L 47.80"L x 23.80"W x 1.77"H	<b>40M4400M</b> Defaulted 40Watts / 4400 Lumens 30 Watts / 3300 Lumens, 40 Watts / 4400 Lumens, 50 Watts / 5500 Lumens options on a 3 positions switch.		

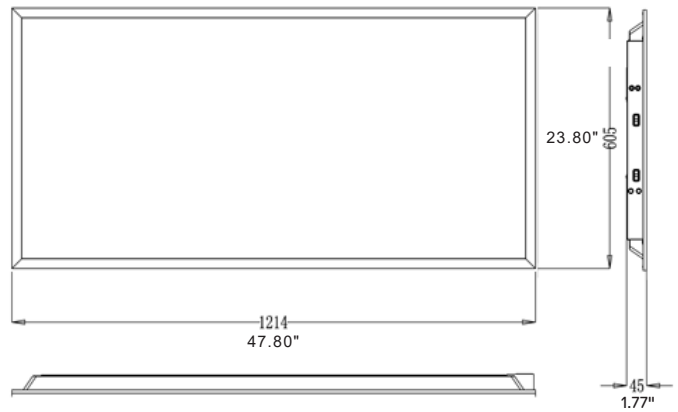
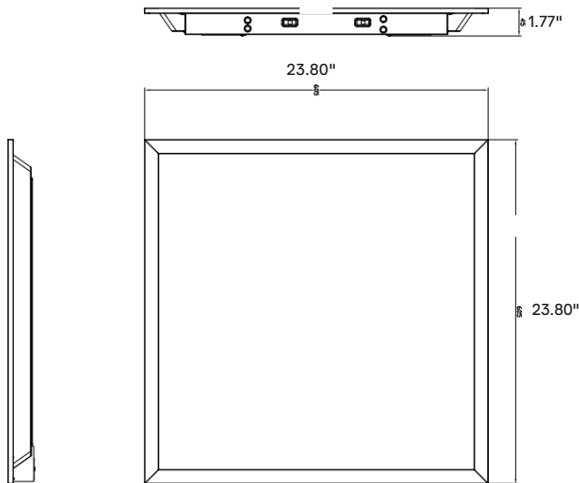
**BACK VIEW**



**DRAWINGS & IMAGES**

2x2

2x4



**PERFORMANCE DATA**

	SETTING	3500K			4000K			5000K		
		WATTAGE (W)	DELIVERED LUMENS	EFFICACY (lm/W)	WATTAGE (W)	DELIVERED LUMENS	EFFICACY (lm/W)	WATTAGE (W)	DELIVERED LUMENS	EFFICACY (lm/W)
2x2	LOW	20.00	2400.00	120.00	20.00	2500.00	125.00	20.00	2400.00	120.00
	MED	30.00	3300.00	110.00	30.00	3500.00	116.67	30.00	3300.00	110.00
	HIGH	40.00	4400.00	110.00	40.00	4500.00	112.50	40.00	4400.00	110.00
2x4	LOW	30.00	3600.00	120.00	30.00	3800.00	126.67	30.00	3600.00	120.00
	MED	40.00	4600.00	115.00	40.00	4800.00	120.00	40.00	4600.00	115.00
	HIGH	50.00	5500.00	110.00	50.00	5700.00	114.00	50.00	5500.00	110.00

+/- 10% tolerance for data

We reserve the right to change design, materials, LEDs and finish in any way that will not alter installed appearance or reduce function and performance.