

**LED**  
TECHNOLOGY

100-277VAC, 60Hz, 4Watt

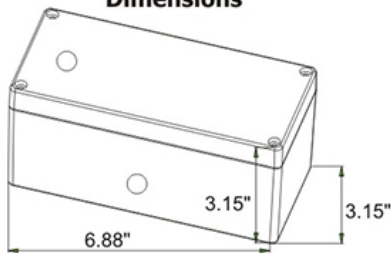
**Features:**

- UL Listed Driver
- Driver tested UL924 and to CSA C22.2 NO.141 can be field or factory installation
- Low energy consumption CEC compliance
- Includes water tight LED test switch
- Includes mounting hardware
- Bronze aluminum water tight case
- For use with outdoor wall packs, through its standard knockout
- Lumens calculated by multiplying fixture LPW x 4 watts of input power

**Applications:**



**Dimensions**

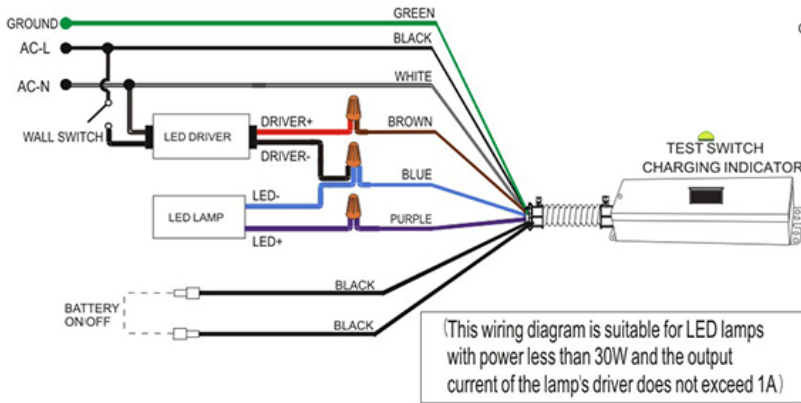


**Specifications:**

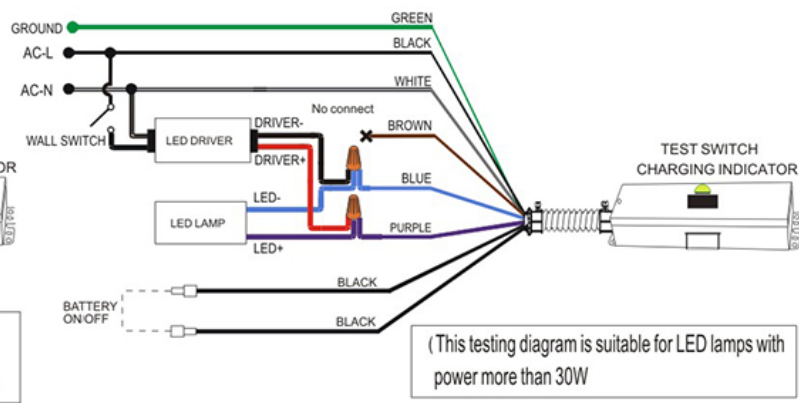
Input Line Voltage	100-277VAC
Input Line Frequency	50/60Hz
Input Current	100mA
Input Power Rating	5W max
Output Voltage	50VDC max
Emergency Power	4W
Recharge Time	24Hrs
Discharge Time	1.5H
Ambient Temp	5-50°C
Battery	Li-Ion
Weight	2.2LB
Surge Protection	Line-Neutral 3KV

Note: For use with fixtures that employ Isolated drivers only

**WIRING DIAGRAM 1**



**WIRING DIAGRAM 2**



ITEM/Model	Description	Wattage
BK400OD(EMS-04050-YY)	4W Battery Backup with Outdoor Case	4W

Cyber Tech Lighting, Inc.  
331 S. Hale Ave. Fullerton, CA 92831 USA.  
Tel: 714-870-0794, 1-877-60CYBER Fax: 714-870-0795  
www.cybertechlighting.com

2 Year Limited Warranty

Bronze Color

