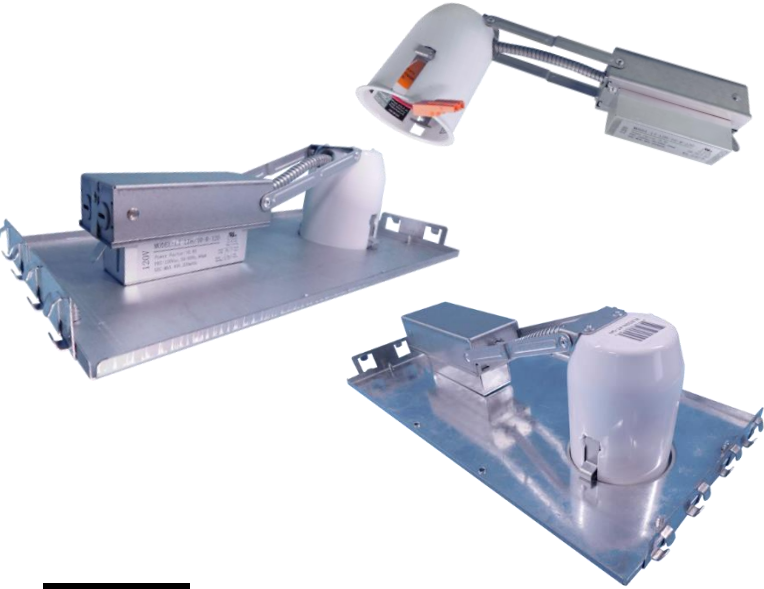


## CANS



### FEATURES

- Easy installation in new construction or retrofit applications.
- For use with insulated and non-insulated ceilings.
- BLED21CN requires access above ceiling.
- Galvanized steel construction.
- Integral T-bar installation slots on new construction models.
- Remodel cans come standard with (2) clips to secure can to ceiling.
- Bar hangers for use with new construction models are adjustable from 13.6" to 25".
- Pre-installed nail allows for easy install.
- Input voltage = 120V
- Wattage = 9W
- Dimmable with most line voltage dimmers.

## TRIMS



### FEATURES

- Available in 3000k (warm white), 3500k (warm/neutral white), and 4000k (neutral white) color temperatures.\*
- Long-life LEDs provide at least 70% of initial lumen output ( $L_{70}$ ) for 50,000 hours of operation.\*\*
- Provides 600 nominal lumens.
- Color rendering index ( $R_a$ ) > 90.

\* Contact factory for other color temperatures and lumen packages.  
 \*\*  $L_{70}$  hours are IES TM-21-11 calculated hours.

## WARRANTY & LISTINGS

- cULus listed for damp and wet locations.
- Energy Star qualified.
- Operating temperatures = -30°C to 40°C.
- Title 24 compliant.

## STANDARD



- Complies with RoHS (Restriction on Hazardous Substances) requirements.
- Certified under ASTM-E283 for airtight construction (new construction models only).
- 5-year warranty of all electronics and housing.

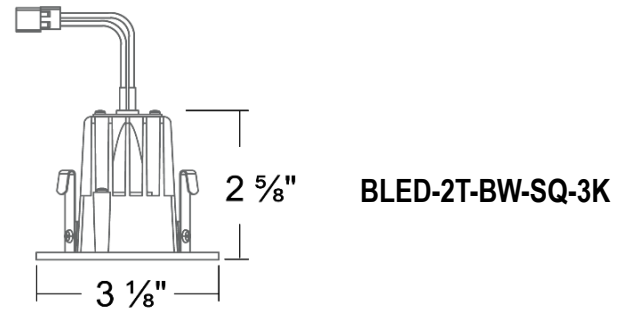
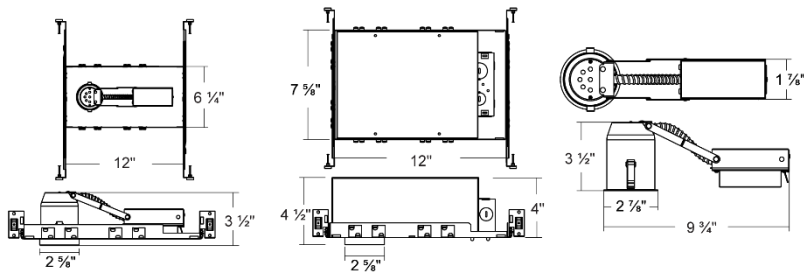
### ORDERING INFORMATION - CANS

MODEL	DESCRIPTION
BLED2N-AT-QN	2" NON IC LED NEW CONSTRUCTION CAN WITH DRIVER
BLED2ICN-AT-QN	2" IC AT LED NEW CONSTRUCTION CAN WITH DRIVER
BLED2ICR-Q	2" NON-IC LED REMODEL CAN WITH DRIVER

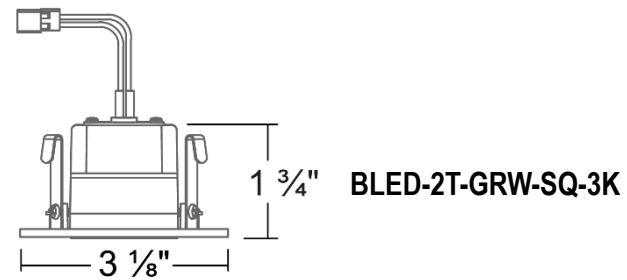
### ORDERING INFORMATION - TRIMS

MODEL	DESCRIPTION
BLED-2T-BW-3K	BAFFLE - WHITE, 3000K
BLED-2T-BW-35K	BAFFLE - WHITE, 3500K
BLED-2T-BW-4K	BAFFLE - WHITE, 4000K
BLED-2T-BW-SQ-3K	SQUARE BAFFLE - WHITE, 3000K
BLED-2T-BW-SQ-4K	SQUARE BAFFLE - WHITE, 4000K
BLED-2T-GRW-SQ-3K	SQUARE GIMBAL - WHITE, 3000K
BLED-2T-GRW-SQ-4K	SQUARE GIMBAL - WHITE, 4000K

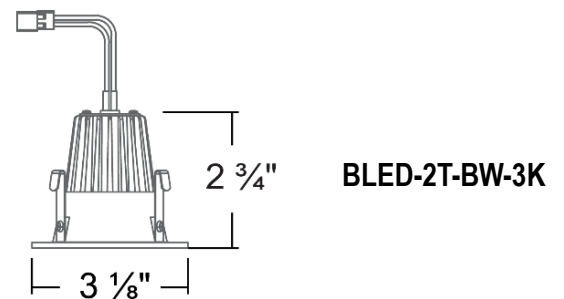
### DIMENSIONS



**BLED-2T-BW-SQ-3K**



**BLED-2T-GRW-SQ-3K**



**BLED-2T-BW-3K**