

LED Flood Light

Howard BLED Series

45W: 5590 Lumens

72W: 8475 Lumens

Project:	
Catalog#:	
Approved by:	
Date:	

Lens/Refractor

- Tempered glass lens, thermal shock and impact resistant.

Housing

- Low-copper, aluminum die-cast housing and lens frame.
- Dark bronze polyester powder-coat finish.

Certifications

- UL/CUL Listed, suitable for Wet Locations



Warranty

- 5-Year Warranty



Applications

Ideal for flag pole lighting, building facades, security, architectural landscaping, highlighting signs & displays.



1/2" Swivel Arm



2" Slip Fitter
(Only for 72W model)

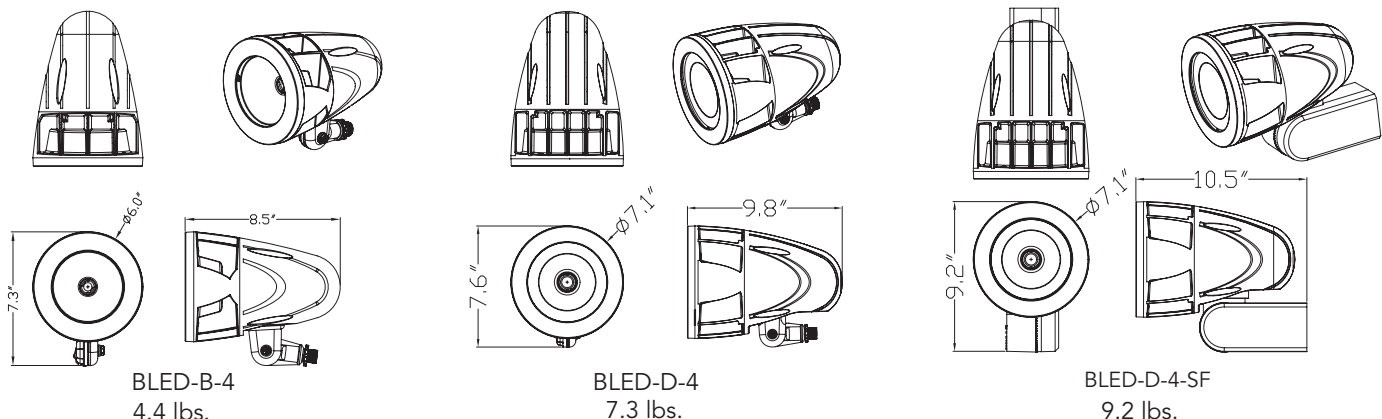
Product Information					
Model	Watts	Lumens	Color/CRI	Mount	HID Equivalent
BLED-B-4	45	5590	4000K 70+ CRI	1/2" Swivel	100W HID
BLED-D-4	72	8475		1/2" Swivel	150W HID
BLED-D-4-SF				2" Slipfitter	150W HID

Sample Ordering Information

Howard BLED-D-4 LED Flood Light

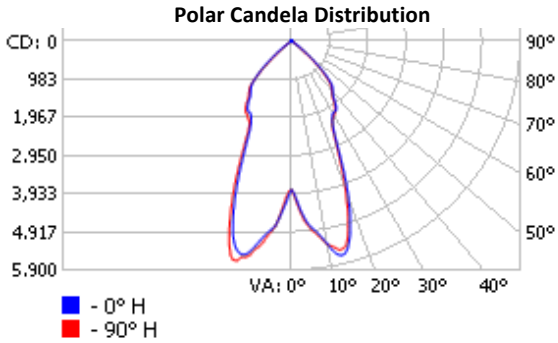
150W HID Equivalent
72W
8475 Lumens
120-277 volts
1/2" Swivel Mount

Dimensions

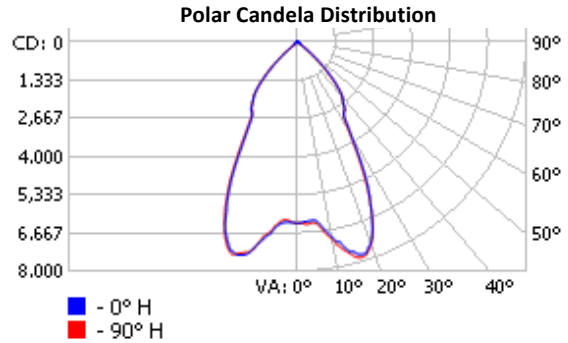


Photometrics

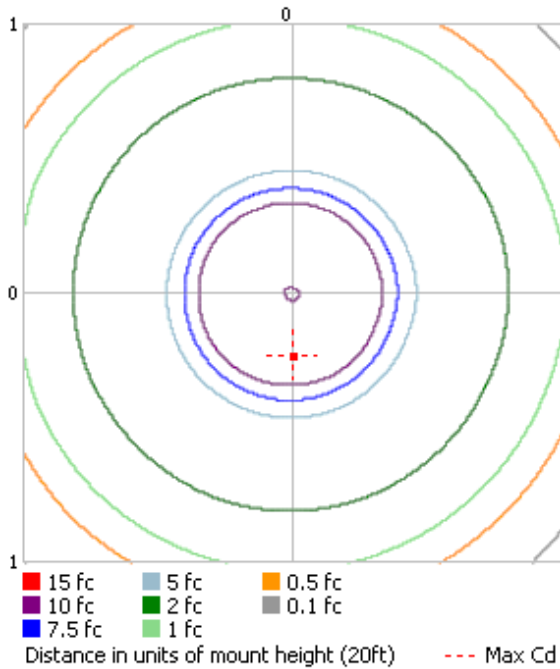
BLED-B



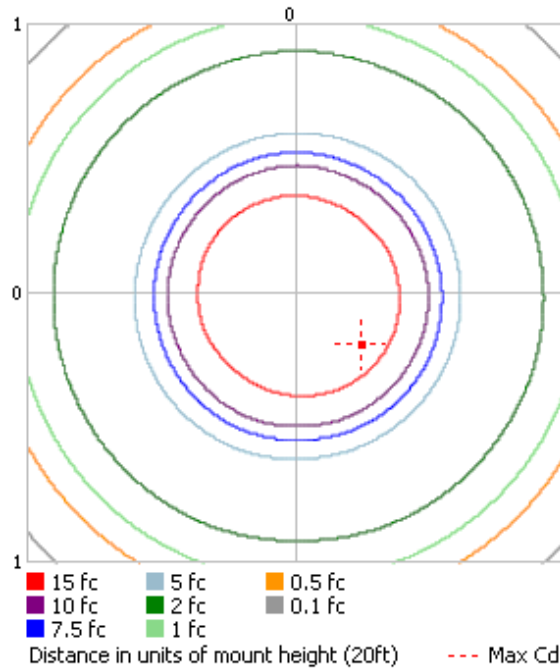
BLED-D



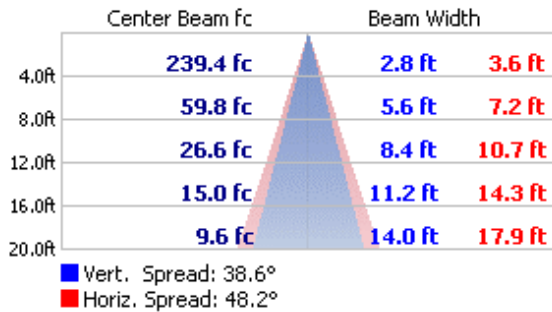
Isofootcandle Plot



Isofootcandle Plot



Illuminance at a Distance



Illuminance at a Distance

