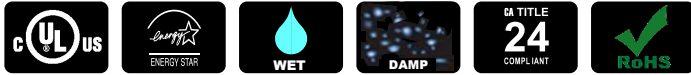


8" LED ARCHITECTURAL RETROFIT



| | |
|------------|--|
| Project: | |
| Type: | |
| Catalog #: | |

STANDARD



The 8" Architectural LED series are commercial-grade quality luminaires. These retrofit kits convert nearly any existing 8-inch incandescent, HID or CFL into LED fixtures. They are upgradeable to the latest and most advanced LED technology. Enjoy energy savings and maintenance-free service with 50,000 hours of life in typical commercial applications.

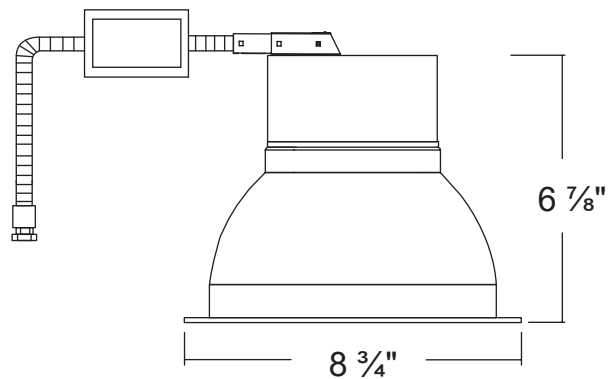
FEATURES

- Installs from below ceiling, retrofit housing is secured in place by 3 tension clips.
- 40 Watt available in 3000K.
- 48 Watt available in 4000K.
- Conduit quick-connects
- Consistent fixture-to-fixture color temperature within 3 MacAdam Ellipses.
- Integral heat sink conducts heat away from LED Light engine.
- Driver is accessible from below the ceiling and can be upgraded to accommodate future technology improvements.
- Universal 120-277 AC voltage (50/60Hz)
- 0-10v dimming
- Color rendering index ≥ 80 .
- Long life LEDs - up to 50,000hours.
- Operation Temp. $-30^{\circ}\text{C}\sim 40^{\circ}\text{C}$ ($-22^{\circ}\text{F}\sim 104^{\circ}\text{F}$).

WARRANTY & LISTINGS

- cULus Listed.
- Energy Star listed.
- Suitable for wet locations (not suitable for coastal/salt water area).
- Suitable for damp locations.
- RoHS compliant.
- 5-year warranty of all electronics and housing.

DIMENSIONS



ORDERING INFORMATION

| Model | Color Temperature | Luminaire Lumens | Luminaire Watts | Lumens / Watt |
|------------------|-------------------|------------------|-----------------|---------------|
| BRK-LED40ARC8-3K | 3000k | 3090 | 40 | 77 |
| BRK-LED48ARC8-4K | 4000k | 3640 | 48 | 76 |