

## CDR : Commercial Downlight Retrofit



project name	type
catalog number	
comments	voltage
approved by	date

25/  
35/50  
watts

2200/  
4200  
watts

up to  
70  
lpw

54,000  
hours

### Features

- Fits existing architectural and commercial housing
- Lasts 4 times longer than CFL
- 120-277V circuit with 0-10V dimming driver (standard)
- Easy installation - Quick connector and pre-wired conduit
- Comfortable diffused light
- 10-100% dimming range
- 5 year warranty

### Performance

- Reported L70 (hours) >54,000
- Operating temperature: -40°C (-40°F) to 40°C (104°F)
- Suitable for use in dry or damp locations
- 3000K, 3500K, 4000K CCT
- CRI: >80
- Input voltage: 120~277VAC
- Power Factor: 0.9
- THD: <20%

### Applications

- Hotel Lobby
- Shopping Center
- Supermarket
- Recreation Center
- Public Arreas
- Corridors
- Offices
- Schools
- Hospitality
- Retail

### Ordering Information

Order Code	Item #	Size	Lm	W	CCT	CRI	MOL	Life/Hrs	Notes	Replaces Incan.	ENERGY STAR
<b>09234</b>	CDR-3C-830K-U	6"	2,200	25W	3000K	80+	5.39"	54,000	6.1"-6.9" Aperture	(2) 18W CFL	★
<b>09235</b>	CDR-3C-835K-U	6"	2,200	25W	3500K	80+	5.39"	54,000	6.1"-6.9" Aperture	(2) 18W CFL	★
<b>09236</b>	CDR-3C-840K-U	6"	2,200	25W	4000K	80+	5.39"	54,000	6.1"-6.9" Aperture	(2) 18W CFL	★
<b>09237</b>	CDR-4C-830K-U	8"	3,000	35W	3000K	80+	5.9"	54,000	7.8"-8.6" Aperture	(2) 26W CFL	★
<b>09238</b>	CDR-4C-835K-U	8"	3,000	35W	3500K	80+	5.9"	54,000	7.8"-8.6" Aperture	(2) 26W CFL	★
<b>09239</b>	CDR-4C-840K-U	8"	3,000	35W	4000K	80+	5.9"	54,000	7.8"-8.6" Aperture	(2) 26W CFL	★
<b>09240</b>	CDR-5C-830K-U	10"	4,200	50W	3000K	80+	6.5"	54,000	9.4"-10.2" Aperture	(2) 42W CFL	★
<b>09241</b>	CDR-5C-835K-U	10"	4,200	50W	3500K	80+	6.5"	54,000	9.4"-10.2" Aperture	(2) 42W CFL	★
<b>09242</b>	CDR-5C-840K-U	10"	4,200	50W	4000K	80+	6.5"	54,000	9.4"-10.2" Aperture	(2) 42W CFL	★

★ ENERGY STAR® Approved



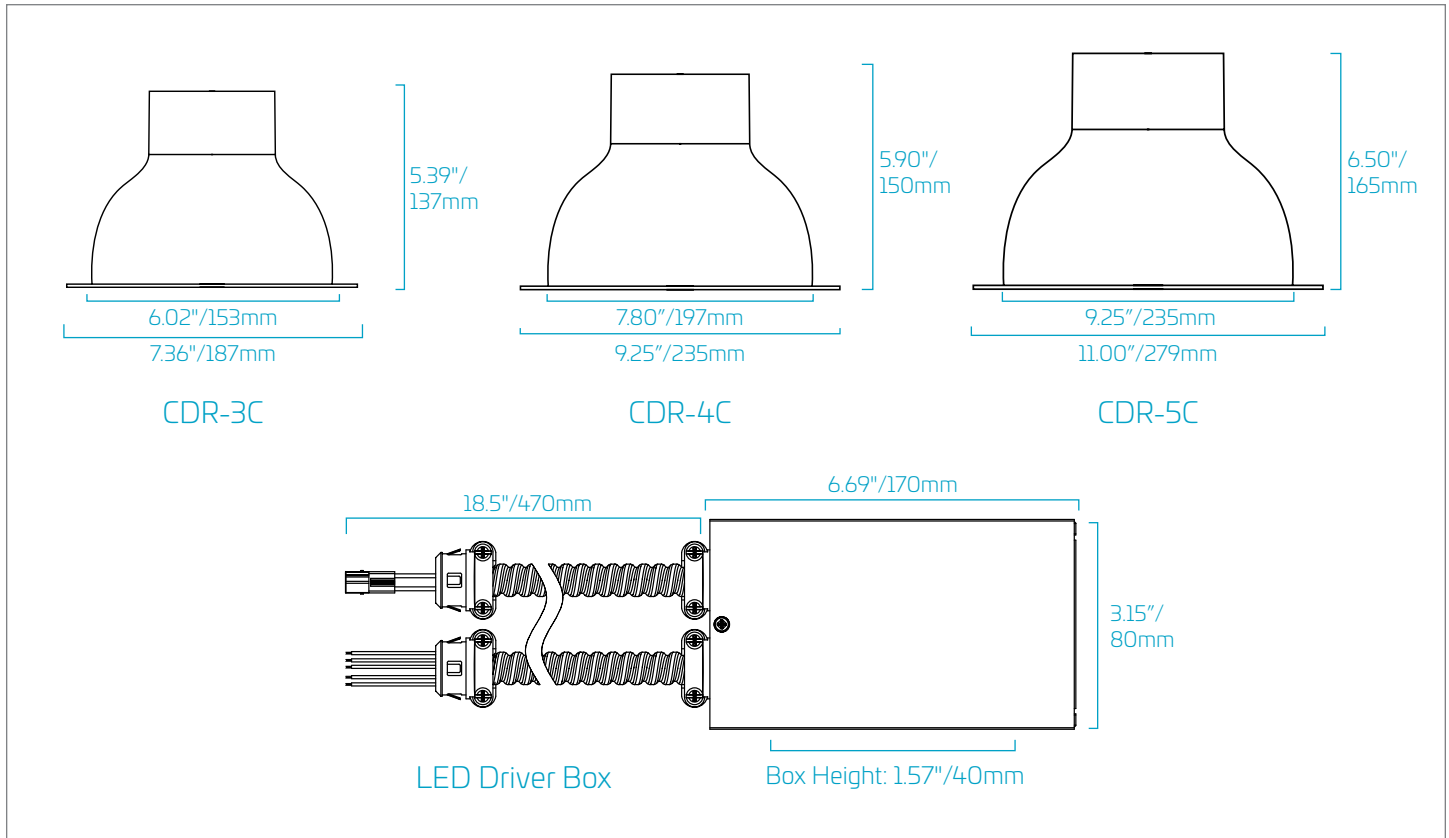
**RoHS**  
Compliant



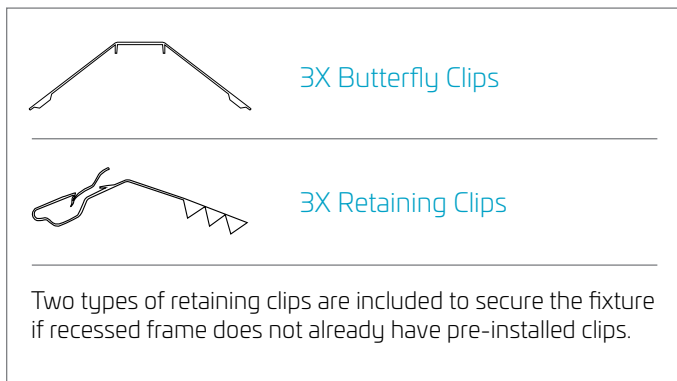
selection. solutions. simplicity. [eiko.com](http://eiko.com)

# CDR : Commercial Downlight Retrofit

## Dimensions



## Accessories Included



## Accessories (Sold Separately)

Order Code	Litespan Part #	Description
<b>09849</b>	FHSCP-UNV-5WL	5W Emergency Battery Backup
<b>09851</b>	FHSCP-UNV-7.8WL	7.8W Emergency Battery Backup
<b>09850</b>	FHSCP-UNV-10.7WL	10.7W Emergency Battery Backup
<b>09852</b>	FHSCP-UNV-13.7WL	13.7W Emergency Battery Backup
<b>09854</b>	FHSCP-UNV-17WL	17W Emergency Battery Backup

watch > like > follow

