

Aluminum back pan and choice of white or black molded plastic in a choice of styles and LED versions. UL listed for wet location Photocell option. LED EOS light Engine provides excellent light transmission Energy Star rated.

**FEATURES**

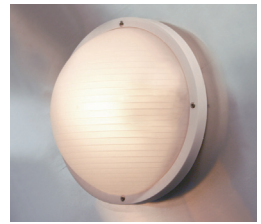
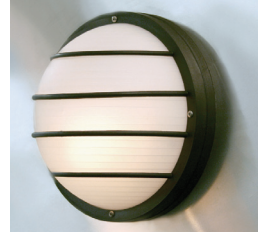
- Available in black or white with frosted lenses
- Photocell available on select models
- Molded of durable uv resistant plastics

**SPECIFICATIONS**

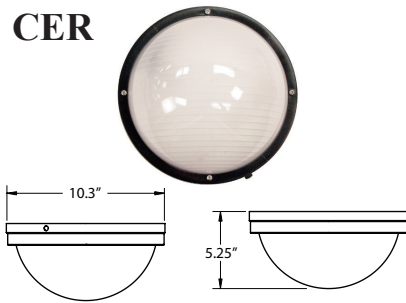
- UL LISTED for wet location
- ETL LISTED and Energy Star Rated
- EOS - Led Light Engine
- 50,000 hours life
- 5 Years Warranty



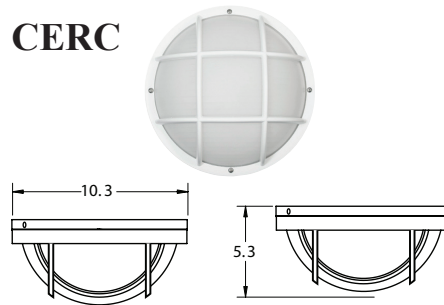
**EOS**  
LED LIGHT ENGINE



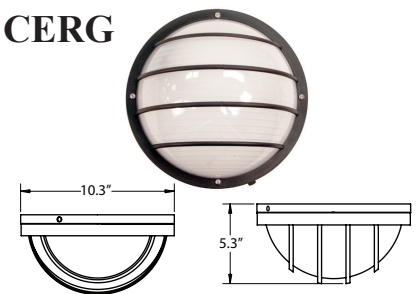
**CER**



**CERC**



**CERGL**



**ORDERING INFORMATION**

SERIES	WATTAGE AND LUMEN		DRIVER -120 VOLT ONLY	CCT	OPTIONS
<b>CERL</b>	13 WATT	30K=900 LUMENS	EOS - L08-AC120R-30k	30K -3000K	PC -PHOTOCELL
<b>CERCL</b>		40K=1000 LUMENS	EOS - L08-AC120R-40k	40K - 4000K	BK - BLACK
<b>CERGL</b>	14 WATT	30K=1350 LUMENS	EOS - L12-AC120R-30k		WH - WHITE
		40K=1400 LUMENS	EOS - L12-AC120R-40k		
	23 WATT	30K=1900 LUMENS	EOS - L18-AC120R-30k		
		40K=1900 LUMENS	EOS - L18-AC120R-40K		
LED			DRIVER - 120/277	CCT	FINISH
<b>CERL</b>	22 WATT		L18C-DC-700-08-R CREE LED	<b>40K</b> - 4000K	<b>BK</b> - Black
<b>CERCL</b>	1824 LUMENS				<b>WH</b> - White
<b>CERGL</b>					

Catalog Number:  
Notes: