

CL-EHL SERIES Industrial Lighting

CL-EHL-100W-30K-E39

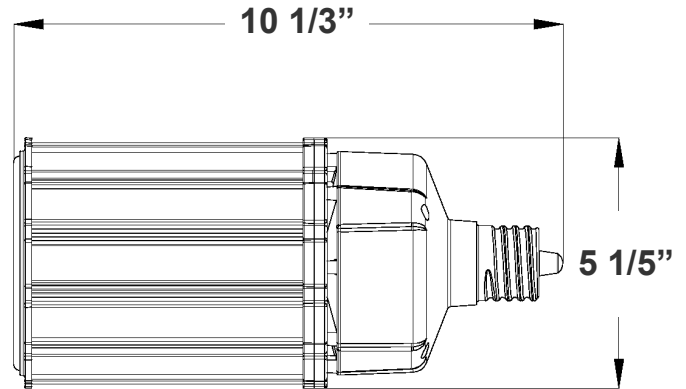


Customer Name: _____

Project Name: _____

Note: _____

Type: _____



10 1/3"(H) x 5 1/5"(W)

LED Corn Lamp suitable for supermarkets, warehouses, garages, home, offices, hotels, hospitals, schools, high bay retrofitting

Features

- E39 Mogul Base
- 5-Year Warranty
- Housing: PC + Aluminum
- 50,000 Hours Rated Life

Technical Specifications

Electrical:

- Voltage: 120-277V AC 50/60Hz
- Wattage: 100W
- Power Factor: >0.9
- AC Direct / Bypass Existing Ballast
- THD: ≤20%
- Efficacy: 125/ 155 LPW

Mechanical:

- PC and Aluminum housing and Sealant pouring for whole driver
- Meet 4KV surge immunity level
- Operating temperature: -40°F to 176°F
- Minimum Enclosed Space Dimension: 17.3"(H) x 9.4"(D) and 1547 Cubic in.
- Suitable for Damp Location

Lighting:

- Multi CCT & Power (Selectable Switches On the Bottom of The Lamp)
- LED SMD type: Edison 2835
- Total Lumens: 12500LM/ 15500LM
- Color Temperatures: 3000K/ 4000K/ 5000K
- Color Rendering Index: CRI ≥ 80
- Beam Angle: 285°

Applications:

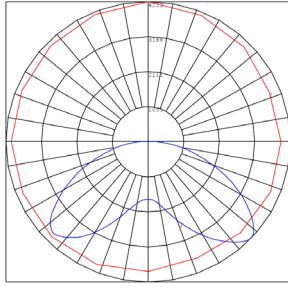
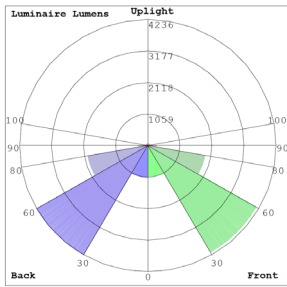
- LED Corn Lamp suitable for supermarkets, warehouses, garages, home, offices, hotels, hospitals, schools, highbay retrofitting

Other Models:

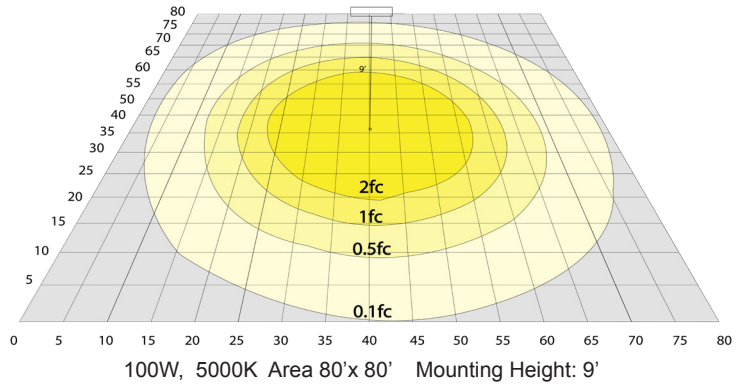
- | | | |
|-------------------------------------|--------------------------------------|--|
| • 12W 1500LM CL-EHL-12W-30K-E26 | • 18W 2250LM CL-EHL-18W-30K-E26 | • 27W 3375LM CL-EHL-27W-30K-E26 |
| • 12W 1860LM CL-EHL-12W-50K-E26 | • 18W 2610LM CL-EHL-18W-50K-E26 | • 27W 4185LM CL-EHL-27W-50K-E26 |
| • 36W 4500LM CL-EHL-36W-30K-E26 | • 36W 4500LM CL-EHL-36W-30K-E39 | • 45W 5625LM CL-EHL-45W-30K-E39 |
| • 36W 5580LM CL-EHL-36W-50K-E26 | • 36W 5580LM CL-EHL-36W-50K-E39 | • 45W 6975LM CL-EHL-45W-50K-E39 |
| • 54W 6750LM CL-EHL-54W-30K-E39 | • 75W 9375LM CL-EHL-75W-30K-E39 | • 120W 15600LM CL-EHL-120W-30K-E39 |
| • 54W 8370LM CL-EHL-54W-50K-E39 | • 75W 11625LM CL-EHL-75W-50K-E39 | • 120W 17400LM CL-EHL-120W-50K-E39 |



Photometrics: CL-EHL-100W-E39



BUD Rating: B3-U5-G4



Other Views:



Side View



Front View

Performance Table: CL-EHL-100W-E39

MODEL NO.	Wattage	Voltage	Lumens	Color Temp.	BUG Rating	LPW
CL-EHL-100W-30K-E39	100W	120~277V	12500	3000K	B3-U5-G4	125
CL-EHL-100W-50K-E39	100W	120~277V	15500	5000K	B3-U5-G4	155

Sample Ordering

Model Style Wattage Color Temp. Base

CL - EHL - 100W - - E39

30K = 3000K
50K = 5000K

Accessory:

Blank = No Option For Accessories

E39-REDUCER = REDUCES E39 BULB TO BE USED IN E26 SOCKET

ACCESSORY:



E39-REDUCER

Example:

- CL-EHL-100W-30K-E39 (FOR CL EHL 100W 30K FIXTURE 120-277V)
- CL-EHL-100W-30K-E39 E39-REDUCER (FOR CL EHL 100W 30K FIXTURE 120-277V)
(REDUCES E39 BULB TO BE USED IN E26 SOCKET)

