

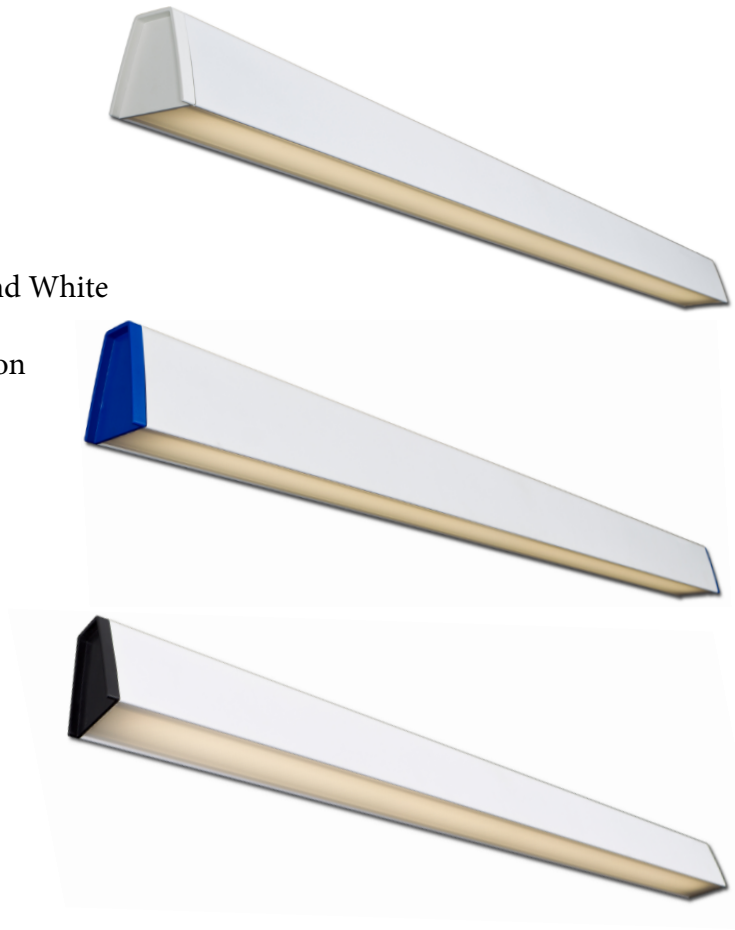
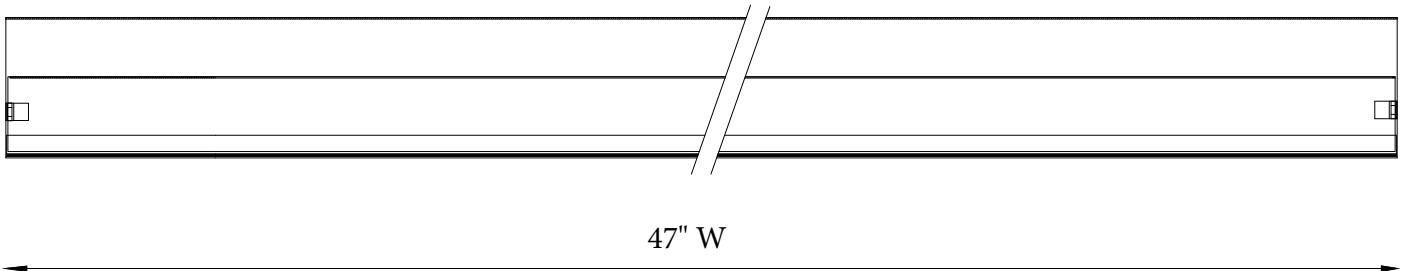
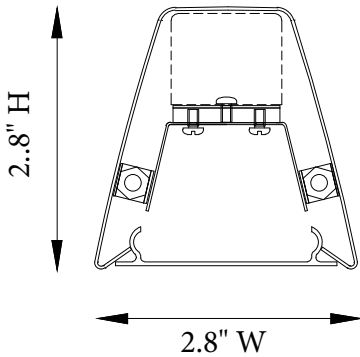
## FEATURES AND SPECIFICATIONS

- Architectural pendant LED fixture
- Slim linear design
- Post-painted in powder coated matt white polyester
- Suitable for individual or continuous run installations
- LED technology
- End caps available in different color options, Blue, Black and White
- Joiner available in Blue and White
- Technical frosted acrylic diffuser with 80% light transmission
- Easy to remove diffuser without any tools

## WARRANTY

Five Year Limited Warranty.

## DIMENSIONS



## ORDERING INFORMATION

### STANDARD

Example: **CORFR48LJ34W3150LDMV40KWH HC301WH**

COR	FR	48L	J34W3150L	DMV	40K	WH	HC301WH
<b>Series</b>	<b>Lens</b>		<b>Driver</b>		<b>Kelvin Temperature</b>		<b>End Cap</b>
COR Corisco Rot LED Channel	FR Frosted Lens	48L 48"	DMV 0-10V Dimming	30K 35K 40K 50K	3000K 3500K 4000K 5000K	BL Blue BK Black WH White	
<b>Wattage and Lumen</b>							
<b>J24W2050L</b>		24 System Watts, 2050 Delivered Lumens					
<b>J34W3150L</b>		34 System Watts, 3150 Delivered Lumens					
<b>Z43W4000L</b>		43 System Watts, 4000 Delivered Lumens					
<b>Z57W5100L</b>		57 System Watts, 5100 Delivered Lumens					
<b>Options</b>							
<b>HC301WH</b>		Cable kit with 4' Cable & 3 Wires Power Feed/Cable Incl. and White Canopy					
<b>HC302WH</b>		Cable kit with 12' Cable & 3 Wires Power feed/Cable Incl. and White Canopy					
<b>HC3015WWH</b>		Cable kit with 4' Cable & 5 Wires Power Feed/Cable Incl. and White Canopy					
<b>HC3025WWH</b>		Cable kit with 12' Cable & 5 Wires Power feed/Cable Incl. and White Canopy					
<b>2SCS24WH</b>		Two Stem kits with 24" Stem, Canopy and Mounting hardware for a 4' fixture					
<b>Configuration</b>				<b>Accessories</b>			
<b>Blank</b> Individual				<b>JOINERBL</b> Blue Joiner			
<b>-B</b> Beginner Run				<b>JOINERBK</b> Black Joiner			
<b>-E</b> Ender Run				<b>JOINERWH</b> White Joiner			
<b>-J</b> Joiner							

### Plug in system Options - it's for continuous run application by simply plugging in sections together

Part Number	Descriptions
PI1	3 Wires Harness, Including White, Black and Green
PI2	4 Wires Harness, Including White, Black, Green and Blue for Emergency Battery Backup
PI3D	5 Wires Harness, Including White, Black, Green, Violet and Gray

\* Add the accessories part numbers at the end to be factory installed