

# CRLX SERIES COMMERCIAL INDOOR LIGHTING

CRLX6-50-80W-MP  
X GEN. LED COMMERCIAL RECESSED LIGHT

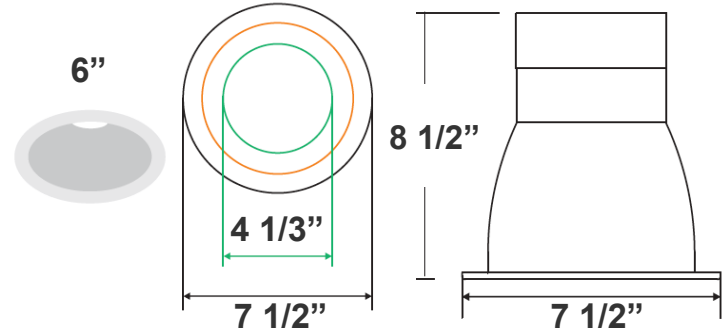
**MP** Multi Power/Wattage (Selectable)



Customer Name: \_\_\_\_\_

Project Name: \_\_\_\_\_

Note: \_\_\_\_\_ Type: \_\_\_\_\_



Ideal for hotel, offices, retail outlets, restaurant, parking garages, conference room, education facilities and more.

**8 1/2"(H) X 7 1/2" (W)**  
**Mounting Diameters: 6" - 6.7"**

## Features

- 6" Haze Finish TRIM
- Multi Power: The Switch Is On The Light Engine
- Mounting Options: Recessed
- 5-Year Warranty
- Lifespan: 50,000 hrs.

## Technical Specifications

### Electrical:

- Voltage: 120-277VAC 50/60Hz
- Wattage: 50W/65W/80W
- Power factor: >0.90
- Efficacy: 85 LPW

### Mechanical:

- 6" Haze Finish TRIM
- Mounting Options: Recessed
- Temperature Rating: Designed to operate in temperatures 113°F
- No IC-Rated
- Suitable for Damp Locations
- 5-Year Warranty

### Lighting:

- Multi Power: The Switch Is On The Light Engine
- Dimming: 0~10V Dimmable
- Total lumens: 6800LM Max.
- Color temperature: 3000K/3500K/4000K
- Color Rendering Index: >80
- Lifespan: 50,000 hrs.

### Applications:

- Ideal for hotel, offices, retail outlets, restaurant, parking garages, conference room, education facilities and more.

### Other Models:

- 40W | 3400LM | CRLX6-18-40W-MCTP



## Other Views:



CRLX-EGN-50-80W-MP  
Light Engine



CRLX-TRM-6  
Trim



CRLX6-50-80W-MP  
Complete Unit

## Performance Table: CRLX6-50-80W-MP

MODEL NO.	Wattage	Voltage	Lumens	Color Temp.	BUG Rating	LPW
CRLX6-50-80W-MP	50W	120-277V	4250LM	3000K	B1-U1-G0	85
	65W		5525LM	3500K		
	80W		6800LM	4000K		

## Sample Ordering

**Model**    **Watt**    **Watt**    **Color Temp**

CRLX6 - 50 - 80W - MP

### Factory-Installed Option:

Blank = No Option For Accessories

OPT-EM-HB1EXT = EXTERNAL EMERGENCY BACK UP BATTERY

### Factory-Installed Option:



**OPT-EM-HB1EXT**  
EXTERNAL EMERGENCY  
BACK UP BATTERY

