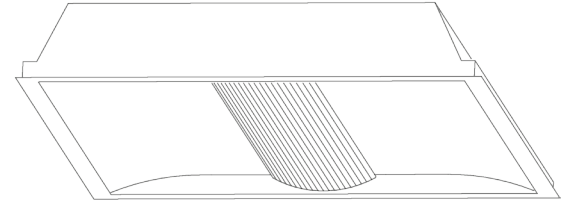




Texas Fluorescents  
Reinvented

# CRV Series - 2x4

Direct/Indirect, Curve diffuser,  
Grid Mount



## FEATURES & SPECIFICATIONS

### INTENDED USE

Specification grade, direct / indirect center diffuser luminaire provides smooth and uniform ambient lighting for all commercial and industrial buildings with recessed configurations. Reflected light from matte surfaces provide a softened “sky light” appearance to the modern office environment. Unique dual curved lens with center perforated basket or linear ribbed diffuser provides a luminous housing with excellent visual comfort. Light reaches higher in the space to eliminate the “cave effect.”

### SIZE W x L x H in inches

24.0W x 48.0L x 4.0Dp

### MATERIALS & FEATURES

Housing is die-formed and embossed code 22 gage steel. Luminaire body finish is high reflectance baked white enamel, with matte white reflectors. Wiring knockouts are provided on the back of housing.

- Center section is flush with outer panels, eliminating the dirt and debris from collecting.
- One-piece enclosure is mounted to one piece doorframe
- Direct / indirect mimics “sky light” appearance
- Matte white reflective surfaces for soft, uniform light distribution
- Recessed perforated center diffuser with acrylic overlay.

### MOUNTING

Recessed inverted T-Bar ceilings. Grid mount.



## ORDERING INFORMATION

### STANDARD

Example: CRVPF24LS32W3450LDMV40K

CRV	PF	24L	S32W3450L	DMV	40K		
Series		Size	Wattage and Lumen	Driver	Color Temperature	Options	
CRV 2 x 4 Direct/ Indirect, Curve, Grid mount		24L 2 x 4	<b>S32W3450L</b> 32 System Watts, 3450 Delivered Lumens <b>S48W4800L</b> 48 System Watts, 4800 Delivered Lumens <b>S57W5400L</b> 57 System Watts, 5400 Delivered Lumens	<b>DMV</b> 0-10V <b>MV</b> Multi - Volt 120V-277V	<b>30K</b> 3000K <b>35K</b> 3500K <b>40K</b> 4000K <b>50K</b> 5000K	<b>WP</b> 6ft whip, 3/18ga <b>WP10</b> 6ft whip, 4/18ga	
		<b>Diffusers</b>					
	<b>PF</b>	Perforated basket with overlay					
	<b>RL</b>	Ribbed Linear Lens					

### HIGH OUTPUT

Example: CRVPF24LH72W7000LDMV40K

CRV	PF	24L	H72W7000L	DMV	40K		
Series		Size	Wattage and Lumen	Driver	Color Temperature	Options	
CRV 2 x 4 Direct/ Indirect, Curve, Grid mount		24L 2 x 4	<b>H72W7000L</b> 72 System Watts, 7000 Delivered Lumens	<b>DMV</b> 0-10V <b>MV</b> Multi - Volt 120V-277V	<b>30K</b> 3000K <b>35K</b> 3500K <b>40K</b> 4000K <b>50K</b> 5000K	<b>WP</b> 6ft whip, 3/18ga <b>WP10</b> 6ft whip, 4/18ga	
		<b>Diffusers</b>					
	<b>PF</b>	Perforated basket with overlay					
	<b>RL</b>	Ribbed Linear Lens					

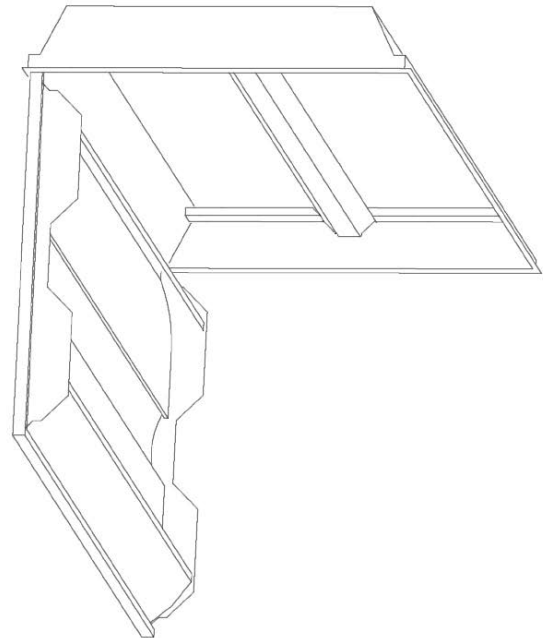
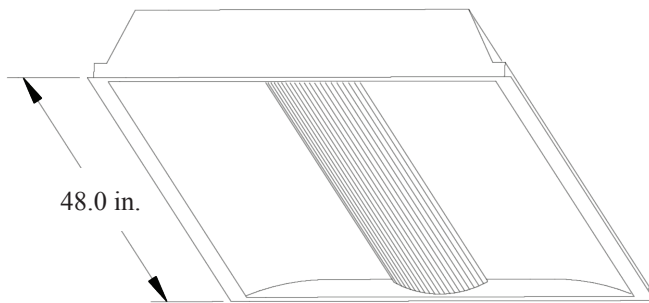
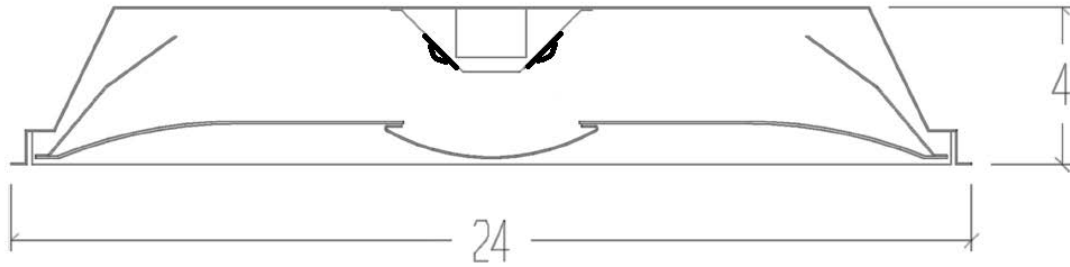
\* Consult FACTORY for more options

Saylite  
2055 Luna Rd. Suite 142 Carrollton, TX 75006  
Phone: 972-247-3171 Fax: 972-247-0200  
www.saylite.com email: sales@saylite.com

Catalog Number:
Notes:

**DIMENSIONS**

All dimensions are inches. Specifications subject to change without notice.



## FEATURES & SPECIFICATIONS

### INTENDED USE

Specification grade, direct / indirect center diffuser luminaire provides smooth and uniform ambient lighting for all commercial and industrial buildings with recessed configurations. Reflected light from matte surfaces provide a softened “sky light” appearance to the modern office environment. Unique dual curved lens with center perforated basket or linear ribbed diffuser provides a luminous housing with excellent visual comfort. Light reaches higher in the space to eliminate the “cave effect.”

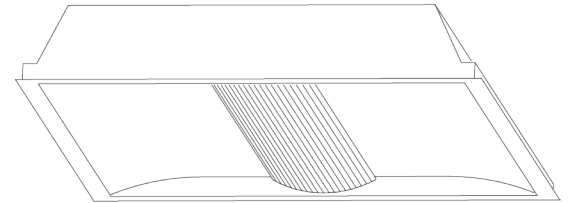
### SIZE W x L x H in inches

24.0W x 24.0L x 4.0Dp

### MATERIALS & FEATURES

Housing is die-formed and embossed code 22 gage steel. Luminaire body finish is high reflectance baked white enamel, with matte white reflectors. Wiring knockouts are provided on the back of housing.

- Center section is flush with outer panels, eliminating the dirt and debris from collecting.
- One-piece enclosure is mounted to one piece doorframe
- Direct / indirect mimics “sky light” appearance
- Matte white reflective surfaces for soft, uniform light distribution
- Recessed perforated center diffuser with acrylic overlay.



### MOUNTING

Recessed inverted T-Bar ceilings. Grid mount.



## ORDERING INFORMATION

### STANDARD

Example: CRVPF22LS24W2400LDMV40K

CRV	PF	22L	S24W2400L	DMV	40K	
Series		Size	Wattage and Lumen	Driver	Kelvin Temperature	Options
CRV 2 x 2 Direct/ Indirect, Curve, Grid mount		22L 2 x 2	<b>S24W2400L</b> 24 System Watts, 2400 Delivered Lumens <b>S28W2700L</b> 28 System Watts, 2700 Delivered Lumens <b>S35W3200L</b> 35 System Watts, 3200 Delivered Lumens	<b>DMV</b> 0-10V <b>MV</b> Multi - Volt 120V-277V	<b>30K</b> 3000K <b>35K</b> 3500K <b>40K</b> 4000K <b>50K</b> 5000K	<b>WP</b> 6ft whip, 3/18ga <b>WP10</b> 6ft whip, 4/18ga
		<b>Diffusers</b>				
	<b>PF</b>	Perforated basket with overlay				
	<b>RL</b>	Ribbed Linear Lens				

### HIGH OUTPUT

Example: CRVPF22LH48W4350LDMV40K

CRV	PF	22L	H48W4350L	DMV	40K	
Series		Size	Wattage and Lumen	Driver	Kelvin Temperature	Options
CRV 2 x 2 Direct/ Indirect, Curve, Grid mount		22L 2 x 2	<b>H48W4350L</b> 48 System Watts, 4350 Delivered Lumens	<b>DMV</b> 0-10V <b>MV</b> Multi - Volt 120V-277V	<b>30K</b> 3000K <b>35K</b> 3500K <b>40K</b> 4000K <b>50K</b> 5000K	<b>WP</b> 6ft whip, 3/18ga <b>WP10</b> 6ft whip, 4/18ga
		<b>Diffusers</b>				
	<b>PF</b>	Perforated basket with overlay				
	<b>RL</b>	Ribbed Linear Lens				

\*Consult for more options

## DIMENSIONS

All dimensions are inches. Specifications subject to change without notice.

