

Product Features:

- Slim Design for Multiple Applications
- Type IC Rated for Damp Location
- 0–10V Dimming
- Wattage and Kelvin Selectable
- Back Lit for Uniform Lighting

Project: _____ Date: _____

Catalog #: _____

Notes: _____

Product Specifications:



Selectable Kelvin: 3500K, 4000K, 5000K
 Selectable Wattage: 20W, 30W, 35W
 Dimensions: 11.81" x 47.81" x 1.66"
 Input Voltage Options: 120–277 VAC
 Input Frequency: 50/60 Hz
 Operating Temperature: -4°F to 104°F (-20°C to 40°C)
 L70 Lifetime: 50,000 Hours calculated per TM21
 Dimming: 0–10V Dimmable
 CRI: >80
 Beam Angle: 110°
 Warranty: 5 Years

KELVIN
SELECTABLE

WATTAGE
SELECTABLE



Kelvin Selectable Switch
3500K, 4000K or 5000K

Wattage Selectable Switch
20W, 30W or 35W

Ordering Guide:

ESL	FAMILY	TYPE	SIZE	SELECTABLE WATTAGE	SELECTABLE KELVIN
ESL	CSS CSS (Contractor Series Selectable)	820	(ss) (22) 2'x2' (24) 2'x4' (14) 1'x4'	(yy) (2035W) 20W/30W/35W (3045W) 30W/35W/45W	3550K (3550K) 3500K/4000K/5000K

FACTORY INSTALLED OPTIONS

ESL-EMG-SL1-CDC-9W EMG BBU 9W Output Dual Conduits

FIELD INSTALLED ACCESSORIES

ESL-CSS-820-22-SMK	820 Panel Surface Mount Kits for 2x2
ESL-CSS-820-24-SMK	820 Panel Surface Mount Kits for 2x4
ESL-CSS-820-14-SMK	820 Panel Surface Mount Kits for 1x4
ESL-CSS-820-ACHK-S2	Aircraft Hanging Kit for 820 Series



CONTRACTOR SERIES



820 Panel — ESL-CSS-820-14-2035W-3550K

Catalog Data:

ITEM#	SELECTABLE WATTAGE	SELECTABLE KELVIN	LUMEN OUTPUT	EFFICACY (lm/W)	DIMENSIONS	DLC QPL CODE
ESL-CSS-820-22-2035W-3550K	20W 30W 35W	3500K 4000K 5000K	3,850	110	23.79" x 23.79" x 1.66"	PWH0ZJ3Q
ESL-CSS-820-24-3045W-3550K	30W 35W 40W	3500K 4000K 5000K	4,950	110	23.79" x 47.81" x 1.66"	PSEVAQF6
ESL-CSS-820-14-2035W-3550K	20W 30W 35W	3500K 4000K 5000K	3,850	110	11.81" x 47.81" x 1.66"	P8HKPML8

Electrical Load — Standard Voltage:

SYSTEM WATTS	INPUT CURRENT				INPUT WATTAGE	INPUT FREQUENCY	POWER FACTOR	THD	OPERATING TEMPERATURE	DIMMING
	120 VAC	208 VAC	240 VAC	277 VAC						
23	0.19	0.11	0.10	0.08	120-277 VAC	50/60 Hz	>0.9	<20%	-4°F~104°F (-20°C~40°C)	0-10V
30	0.25	0.14	0.13	0.11	120-277VAC	50/60 Hz				
35	0.29	0.17	0.15	0.13	120-277VAC	50/60 Hz				
45	0.38	0.22	0.19	0.16	120-277VAC	50/60 Hz				

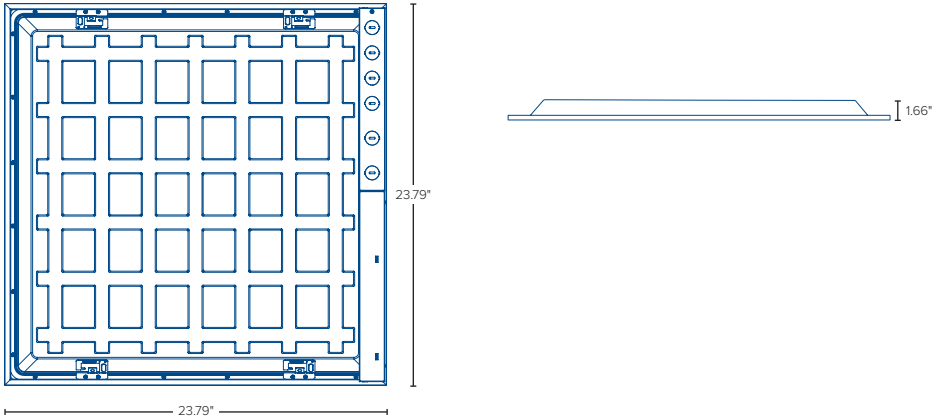
Lumen Ambient Temperature (LAT) Multipliers:

AMBIENT	LUMEN MULTIPLIER
0 °C 32 °F	1.02
10 °C 50 °F	1.01
20 °C 68 °F	1.00
25 °C 77 °F	1.00
30 °C 86 °F	1.00
40 °C 104 °F	0.99
50 °C 122 °F	0.96

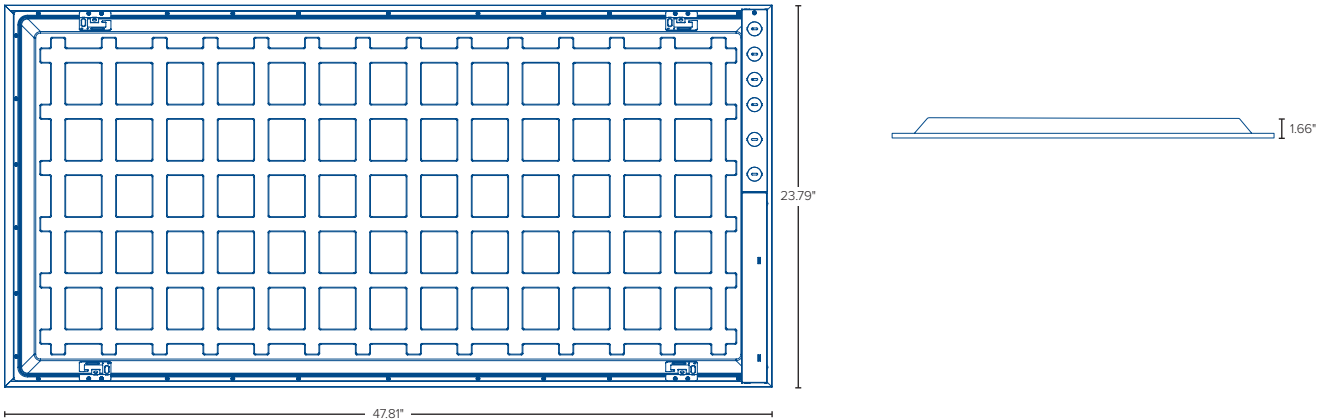


Dimensions:

2' x 2'



2' x 4'



1' x 4'

