

LED
TECHNOLOGY

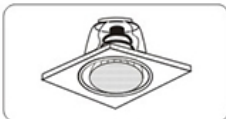
50,000 Hours Life, 40Watt, 120-277VAC

Applications:

8" LED Recess Can,
Indoor And Damp Locations Use



Switch Colors Before Installing
3000K Soft Warm White
3500K Bright Warm White
4000K Cool White



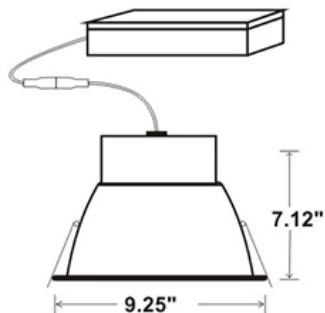
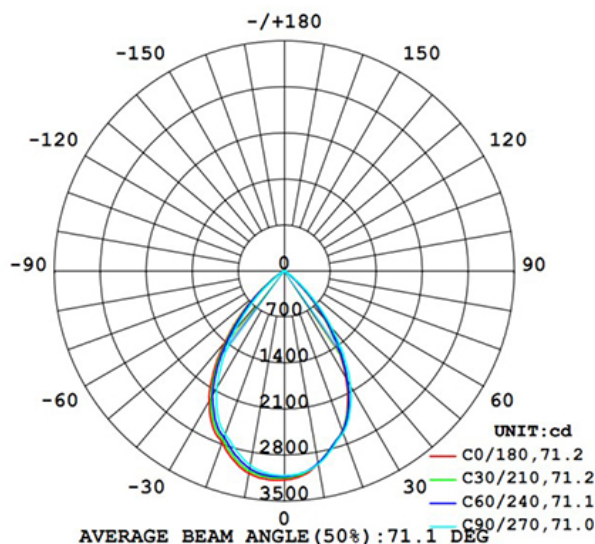
Features:

- Replace Fluorescent Or HID 8" Trims (400 Watt Equivalent)
- Easy Installation Spring Clips
- IC Rated New Construction Can Be Installed Without Frame
- Can Fit Existing Standard 8 Inch Recess Frames
- 3 color adjustable 3000K, 3500K or 4000K
- 0-10V Dimming



Specification:

Input Line Voltage:	120-277VAC
Input Power:	40W
Input Line Frequency:	60Hz
Lamp Life (Rated):	50,000hrs
Minimum Starting Temp:	-20°C/-4°F
Maximum Operating Temp:	40°C/104°F
CCT Adjustable:	3000K/3500K/4000K
CRI:	≥80
Lumens:	4000
Beam Angle:	90°
CBCP:	3184



Height	Eavg, Emax	Angle: 70.29deg	Diameter
1.219m	1144, 2141lx		171.65cm
2m	425.3, 795.7lx		281.58cm
3m	189.0, 353.6lx		422.36cm
4m	106.3, 198.9lx		563.15cm
5m	68.04, 127.3lx		703.94cm
6m	47.25, 88.4lx		844.73cm
7m	34.71, 64.9lx		985.51cm
8m	26.58, 49.7lx		1126.30cm
9m	21.00, 39.2lx		1267.09cm
10m	17.01, 31.8lx		1407.88cm

Note: The Curves indicate the illuminated area and the average illumination when the luminaire is at different distance.

If Needed Commercial Frame Available, Sold Separately

WARRANTY
2-YEAR*

Model:#	Description	wattage	lumens	Socket
LC40RT8-AR/CCT	8 Inch, Retrofit Can Kit, IC, Aluminum Reflector, Adjustable to Soft Warm White - Bright Warm White - Cool White	40W	4000	Hard Wire

*2 Year Limited Warranty

UPC: 793573-749789

