

LED
TECHNOLOGY

50,000 Hours Life, 15 Watt, 120-277VAC 60Hz

Applications:

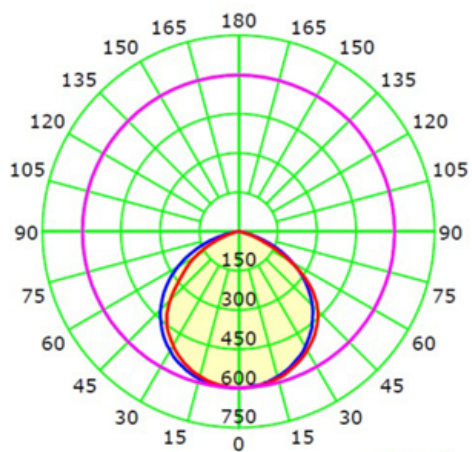
Parking Lots, Wall Wash, Security Lighting, General Areas

Features:

- 120/277 Dual Voltages
- Aluminum Rust Proof Body
- Instant Start Electronic Unit
- Suitable For Wet Location(IP65)
- Knuckle Mount Base, Standard 1/2" IPS Thread Size

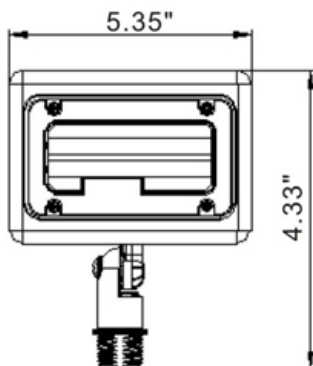


Luminous Intensity Distribution Curve



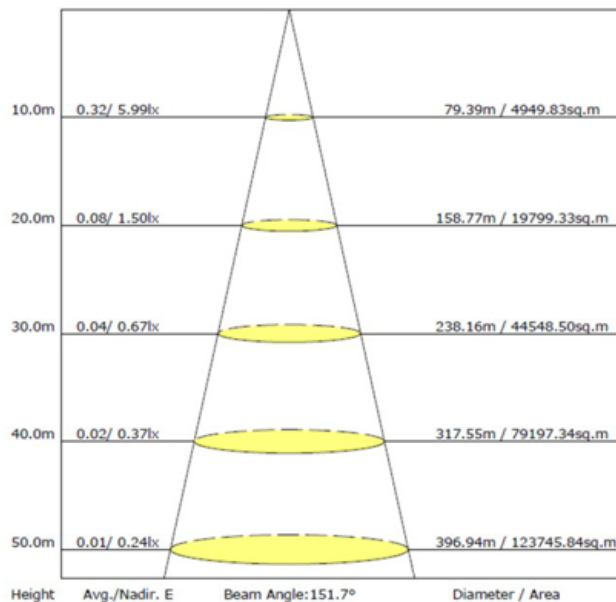
Unit: cd
Average Diffuse Angle(50%): 109.1°

— C0-C180 — C90-C270 — G2



Specification:

Input Line Voltage: 120-277VAC
 Input Power 15W
 Input Line Frequency 60Hz
 Lamp Life (Rated) 50,000hrs
 Minimum Starting Temp -20°C/-4°F
 Maximum Operating Temp 40°C/104°F
 CCT 5000K
 CRI ≥80
 Lumens 1620
 CBCP 598



Note: The curves indicate the illuminated area and the average illumination when the luminaire is at different distance.

Model:#	Description	wattage	lumens
LF15BZ/DL	15 Watt Hard WireLED Flood Light Bronze Color, 5000K Day Light	15W	1620

* 5 Year Limited Warranty

UPC: LB15BZ/DL 80680215582-1

