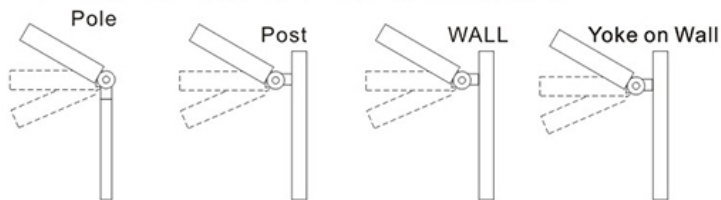


LED
TECHNOLOGY

50,000 Hours Life, 100 Watt, 120-277VAC 50/60Hz

Applications:

Parking Lots, Security Lighting, Pole, Post Mount, Auto Dealerships, Walkways, Roadways, Facade Lighting, Grocery Stores.



Optional Mounts Available

Features:

- Replace 300W MH Unit
- Suitable For Wet Location(IP65) Aluminum Rust Proof Body
- Adjustable Up/Down with Any Arm/Fitter
- Type 3 Light Distribution Pattern
- Accessories Sold Separately

Accessories:



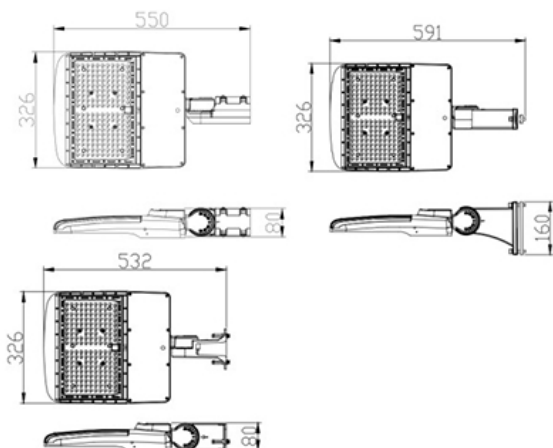
Motion Sensor



Photocell



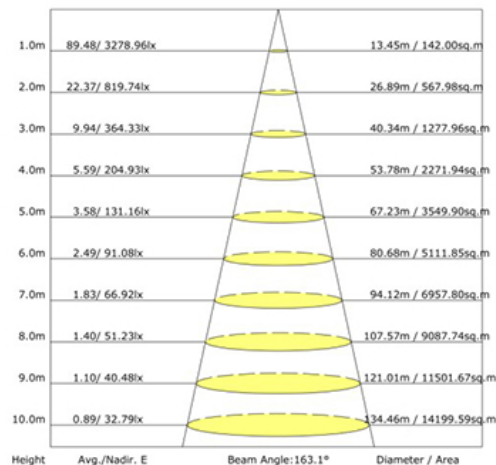
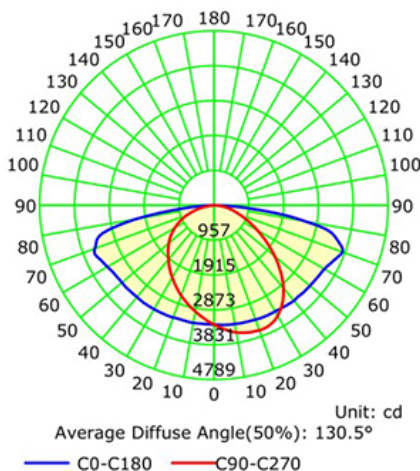
Note: Driver cover plate is changed when motion sensor is added



Specification:

| | |
|------------------------|---------------------|
| Input Line Voltage | 120-277VAC |
| Input Power | 100W |
| Input Line Frequency | 50/60Hz |
| Lamp Life (Rated) | 50,000hrs |
| Minimum Starting Temp | -40°C/-40°F |
| Maximum Operating Temp | 46°C/115°F |
| CCT | 5000K |
| CRI | 70 |
| Lumens | 13163 |
| Dimmable | 1-10V |
| EPA | 1.89ft ² |

Luminous Intensity Distribution Curve



| Model:# | Description | Wattage | Metal Halide Equivalent | Lumens |
|--------------|--|---------|-------------------------|--------|
| LWP100SB/850 | 100 Watt LED Area Light Bronze Finish, Day Light | 100W | 300W | 13163 |

DLC 5.1

*5 Year Limited Warranty

