

LED TECHNOLOGY

50,000 Hours Life, 26 Watt, Dusk to Dawn Photocell

Applications:

Security, Entry Ways, Stairways And Perimeter Areas,
As Well As Residential Exteriors.

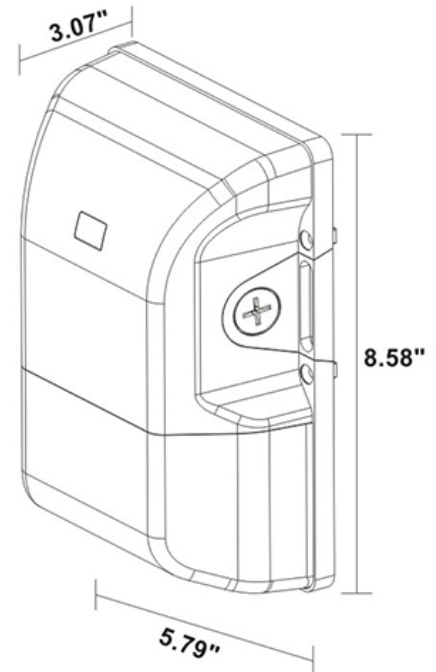
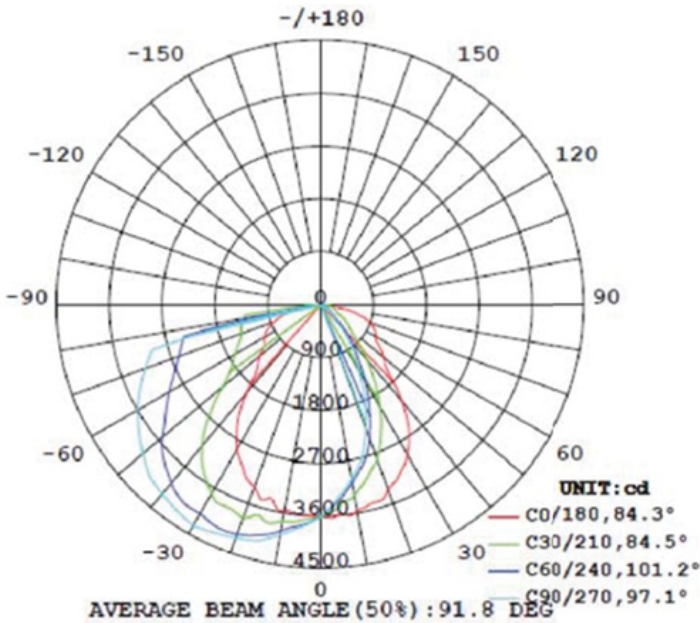
Features:

- Dusk to Dawn Photocell
- Durable Polycarbonate Lens
- Instant Start Electronic Unit
- Suitable For Wet Location (IP65)
- Not Dimmable



Specification:

Input Line Voltage:	100-277VAC
Input Power	26W
Input Line Frequency	60Hz
Lamp Life (Rated)	50,000hrs
Minimum Starting Temp	-20°C/-4°F
Maximum Operating Temp	40°C/104°F
CCT	3000K/4000K/5000K
CRI	≥80
Lumens	3380
CBCP	4300



WARRANTY

* 5-YEAR

Model:#	Description	wattage	lumens
LWP25BZ/CCT/P	26Watt Hard Wire LED Light Bronze Body, Warm White, Cool White & Day Light, With Photocell	26W	3380

*Based on 4hours usage a day

UPC: 793573-74992-5

