

DCC150E Series

LED Full Cut-Off Wall Pack

Applications

- Security, pathway and perimeter lighting
- Building entryways and walkways

Features

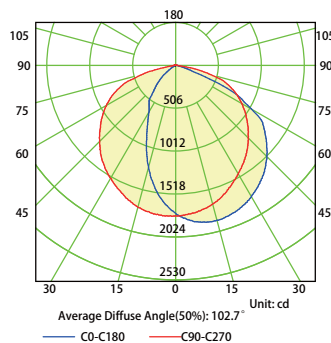
- Suitable for WET location/Outdoor
- Lumen output from 4900lm, to replace 100W MH
- Full Cutoff and compliance to Dark Sky requirement
- Type III polycarbonate optical lens with UV stabilizers
- Built-in UL class 2 driver, optional for photocell
- Available in durable polyester dark bronze or Black powder coat
- UL/cUL
- 82 CRI
- 109 lm/w, 5000K



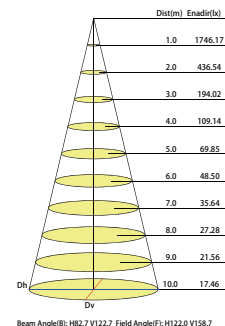
Photometrics

DCC150E45W4900LMV50K

Luminous Intensity Distribution Curve



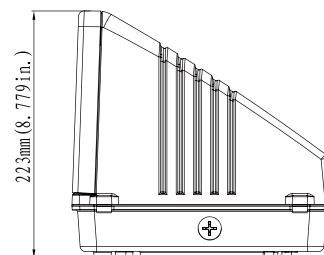
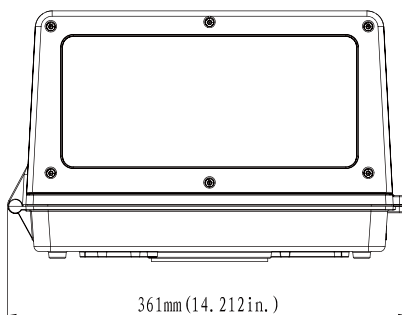
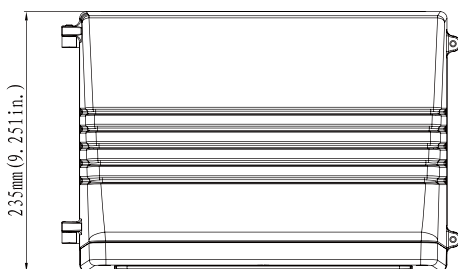
Illuminance at a Distance



Dimensions

DIMENSIONS

All dimensions are inches. Specifications subject to change without notice



ORDERING INFORMATION

DCC150E

Series

DCC150E

45W4900L

Wattage and Lumen

45W4900L 45 System Watts, 4900 Delivered Lumens

MV

Driver

MV Multi - Volt 120V-277V

50K

Kelvin Temperature

50K 5000K