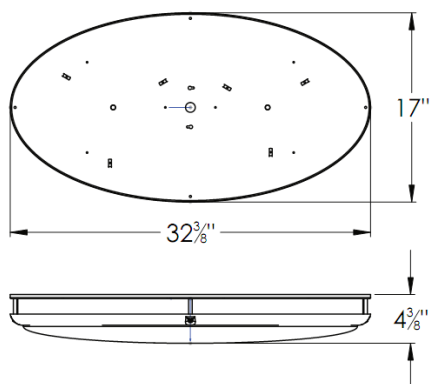


LED Oval Ringed Decorative Ceiling Light

DIMENSIONS



APPLICATION

The LED Based DCRO series is a ceiling or wall mount series which can be used in a broad range of residential and commercial applications. This series provides customers with a high quality luminaire utilizing the latest LED, solid state lighting and electronic driver technology for optimal performance and maximized energy efficiency. With a traditional opal white lens, the DCRO series produces even, uniform light distribution and ideal choice for offices, corridors, stairways, bedroom, closet and foyers applications where customers are replacing incandescent, circline or compact fluorescent lamps.

FEATURES

- High-transmission (White) Acrylic lens with excellent distribution and uniformity.
- Full distribution LED Luminaire
- 120V AC with Driver on Board Technology.
10-100% triac dimming, compatible with most triac dimming switches in the market
- Can be retrofit into most 5" or 6" recessed down-lights or surface mounted for new construction applications
- Designed for a 50,000 Hour Life
- Available in 3000K Kelvin temperature
- Environmentally friendly - contains no mercury or other hazardous

HOUSING

Contemporary slyed fixture. Twin steel rings surround a milk white acrylic diffuse provides widespread and even illumination.

MOUNTING

Designed for mounting on 4" electrical

ELECTRICAL

Equipped standard with 120V 15-100% triac dimming driver.

LISTING

All luminaires are built to UL 1598 and 2108 standards, and bear appropriate ETL labels. Damp location labeling is standard. Emergency equipped fixtures labeled UL924. Adheres to LM70, LM80, and TM21 industry standards.

WARRANTY

3-year limited warranty. See complete warranty for terms and exclusions. (Labor not included).

QUICK SHIP

DCRO-34-MV-930-NS

ORDERING INFORMATION

Example Model Number: DCRO-34-MV-930-NS

DCRO						
SERIES	WATTAGE	DRIVER TYPE	COLOR TEMPERATURE	FINISH	OPTIONS	
34-	34W (3400) Lumens ²	MV-	120-277V ²	930-90 CRI; 3000 Kelvin ² 940-90 CRI; 4000 Kelvin ^{1 2}	NS- Nickel	MOS- Integral Microwave Sensor EML8- Emergency Battery Pack, 800 Lumens EML14- Emergency Battery Pack, 1400 Lumens

Notes:

¹Made to order items. Minimum 90 day lead time. Minimum 500 order quantity.

²Energy star listed