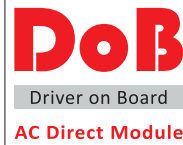


DFR4

120VAC LED DoB 4" Ceiling Dome with Optional recessed can Mounting Kits and socket Adapters

DFR56

120VAC LED DoB 5"/6" Ceiling Dome with Optional recessed can Mounting Kits and socket Adapters



Catalog #		Type
Project		Date
Prepared by		

LED



CA Title 24



DFR4

LED
Ceiling
Flush Mount
Recess Can Mounting Kits



DFR56

DESIGN FEATURES

Electrical Connection

- 120VAC LED Power Supply on-board with stated-of-the-art customized IC chip (DoB).
- 10-100% triac dimming with most of leading and trailing edge incandescent & low voltage dimmer switches.
- Advanced driver circuit design (Pat. Pending) prevents damage to the LED module and switch from common inrush currents.
- Recommended for use max. 30 fixtures per run on a 600W max load dimmer switch and 15 fixtures per dimmer switches for 300W loads.
- Available 3000K color temperature. Consult factory for other CCT offerings.
- Mounting on 4" J-box with 2 screws from base plate.
- Optional E26 and GU24 Adapters and Mounting Kits are available for mounting over 4", 5" and 6" IC / Non-IC type Recessed cans from below.

Finish

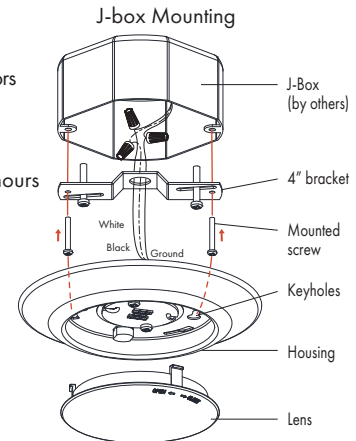
- WH : White
- Contact factory for custom colors

Limited Warranty

- LED Module: 5 years/50K hours
- Product: 3 years

Listing

- cCSA-us Wet Location
- ENERGY STAR
- California Title 24



OPTIONS



Specification	Model #	DFR4	DFR56
Input Voltage		120VAC	120VAC
Lens Dimension		3-7/8"	5-1/2"
Housing Dimension		5-7/18"	7-7/1"
Height		1-1/4"	1-1/4"
LED Wattage		12W	15W
Lumen		717 (80CRI) 609 (90CRI)	972 (80CRI) 863 (90CRI)
Efficacy (LPW)		63 (3000K) 51 (3000K)	65 (3000K) 58 (3000K)
Beam Anlge		107°	110°
Lens		Translucent White Plastic	Translucent White Plastic
Description		LED DoB 4" Ceiling Dome	LED DoB 5"/6" Ceiling Dome
Environment		Wet location	Wet location

Ordering Information

Model	-CRI	Color Temp.*	Finish*	-Options
DFR4 = 4", 12W DoB Ceiling Dome	-8 = 80 CRI -9 = 90 CRI	27 = 2700K 30 = 3000K 35 = 3500K 40 = 4000K	blank = Standard White	-4MTL = DFR4 kit for 4" Recess cans -6MTL = DFR56 kit for 5"/6" Recess cans -E26A = Med Base Adapter -GU24A = GU24 Adapter
DFR56 = 5"/6", 15W DoB Ceiling Dome				

Example : DFR4-830-4MTL-E26A

* Consult factory for other Color Temperatures and Finishes