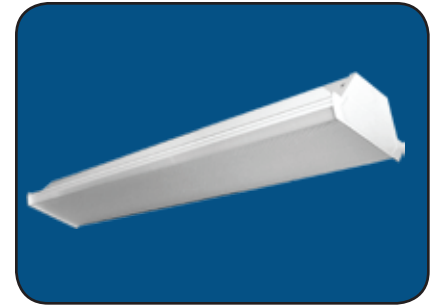


ECW Series

3 Light Wraparound



FEATURES & SPECIFICATIONS

INTENDED USE

With 1, 2 or 3 lamps in cross-section, the ability to add a reflector and a clear acrylic #8 pattern lens, this wrap around is suitable for a wide variety of applications. A full wireway allows exact lamp spacing and more uniform light distribution.

SIZE W x L x H in inches (mm)

8.75W x 48L x 4.40Dp

LAMP

1, 2, or 3 lamp positions.

MOUNTING

Surface or Suspended

MATERIALS & FEATURES

Housing is 22 gauge baked white enamel cold rolled steel body and ends. 20 gauge can be supplied. 20 gauge socket bars are standard. Wiring knockouts are provided on back and end of housing. Ballast cover or reflector snaps into place, no tools required for ballast access. Lens is held with left and shift method. Premium, full specular reflectors are available as an option to increase efficiency or modify lighting distribution.

LISTING

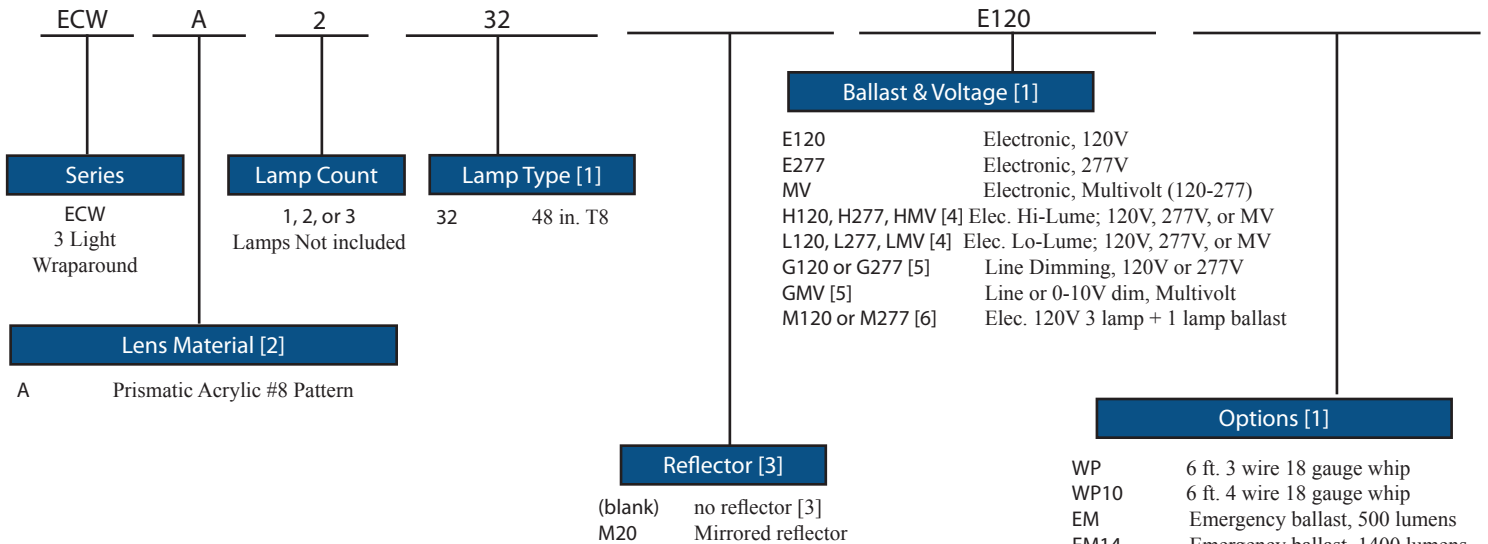
Fixture & Ballast: UL Listed Ballast: Thermally protected, class P, HPF, Non PCB

TYPICAL OPTIONS AND ACCESSORIES

Emergency ballasts, whips, and reflectors.

ORDERING INFORMATION

Example: ECW A 232 E120

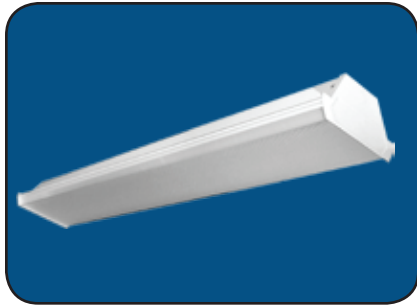


EM14 ballast required for T5 & T5HO lamps

Catalog Number:
Notes:

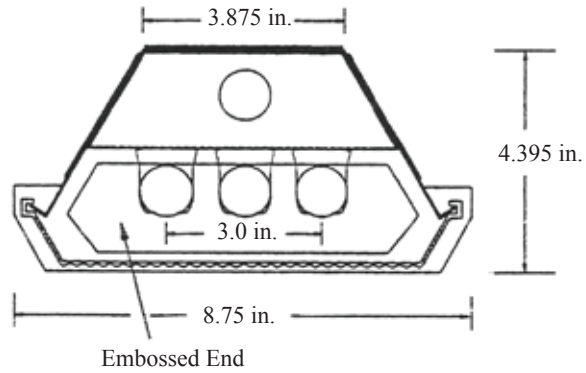
ECW Series

3 Light Wraparound



DIMENSIONS

All dimensions are inches. Specifications subject to change without notice.



Catalog Number:
Notes: