

ENDEAVOUR 2.0

LINEAR HIGH BAY

FEATURES

- Sleek Curved Polycarbonate Injection Molded End Caps
- White and black finish options
- Aluminum Body with steel channel for added rigidity
- Toolless Hinged Driver Access
- Wide & Narrow Distributions
- Impact Resistant and IP5X Rated Lens Options:
 - Frosted Acrylic (FRL)
 - Frosted Polycarbonate (PFL) IK10 Impact Rated
- V-Clips for dual point chain or cable hanging (standard)
- Advanced and Basic Controls Options
- 131°F Standard Ambient Temperature Range
- 149°F Max High Ambient Temperature Option
- 3000K-5000K CCT
- Uplight Options to optimize full room illumination
- 17 Size/Lumen packages:
 - 2': 8L - 36L
 - 4': 12L - 100L
- >80 Color Rendering Index (CRI)
- Calculated L70 >100,000 hrs
- 0-10V Dimmable Driver (100%-10%)
- 5 Year Warranty (standard); 10 Year Warranty Optional
- ETL Listed for Damp Location
- DesignLights Consortium® Premium Qualified Luminaire



Fixtures shown with Frosted Lens (FRL)



407-478-3759
www.ilp-inc.com

Product Overview



SCAN ME
or Click Here



SUITABLE APPLICATIONS

- Gymnasium
- Manufacturing
- Warehouse
- Distribution Centers
- Hangar
- Retail
- Government Facilities
- Auto Service Bays/Lanes

ORDERING GUIDE:

SERIES	LUMENS (select one)	DRIVER	CCT	LENS	DISTRIBUTION	UPLIGHT	FINISH	TEMPERATURE ⁴	WARRANTY
2' Endeavour	8L 8,000 lm	U 120-277V	50 5000K	BLANK No Lens	BLANK Wide	BLANK No Uplight	BLANK White	BLANK Standard	BLANK 5 Yr
	12L 12,000 lm		40 4000K	FRL Frosted Acrylic	ND Narrow	UP/2L ²³ 2000lm Uplight	BLK ^{1, 23} Black	HT ^{3, 4, 19} High Ambient	10YR ⁵ 10 Yr
	15L 15,000 lm		35 3500K	PFL Frosted Polycarbonate		UP/3L ²³ 3000lm Uplight	RALxxxx ^{2, 23} Custom		
	18L 18,000 lm		30 3000K			UP/4L ²³ 4000lm Uplight			
	24L 24,000 lm								
	30L 30,000 lm								
4' Endeavour	36L 36,000 lm								
	EDV4 12L 12,000 lm								
	15L 15,000 lm								
	18L 18,000 lm								
	24L 24,000 lm								
	30L 30,000 lm								
	36L 36,000 lm								
	48L 48,000 lm								
60L 60,000 lm									
75L 75,000 lm									
100L 100,000 lm									

ORDERING GUIDE:

CONTROLS OPTIONS			
Basic		Advanced	
FIOS ^{12, 13}	On/Off Occupancy Sensor	ES/HB ^{12, 15, 16, 22}	EasySense High Bay Sensor
CLOS ¹²	Cold Storage On/Off Occupancy Sensor	FSP-311/Lx ¹⁴	Legrand FSP-311 Sensor LX = Mounting Height - L3 = 20'MH - L7 = 40'MH
FIOSPC ^{12, 13}	On/Off Occupancy Sensor w/ Photocell	ZLD1Z ¹⁴	Leviton ZLD1Z 120-277V Bluetooth Groupable Sensor (16 Devices) w/ 8-20' & 20-40' lens included
FIOSPC/DLH ^{12, 13}	On/Off Occupancy Sensor w/ Daylight Harvesting	5S/CU/IL ^{14, 17, 22}	Enlighted 5E Independent Lighting (IL) Sensor w/ Control Unit
DHPC ^{12, 13}	Daylight Harvesting	5S/CU/CL ^{14, 17, 18, 22}	Enlighted 5E Connected Lighting (CL) Sensor w/ Control Unit
USBD ^{12, 13}	User Selectable Bi-Level Dim Sensor w/ Occupancy	5S/CU/IOT ^{14, 17, 18, 22}	Enlighted 5E IOT Lighting (IOT) Sensor w/ Control Unit
BDxx ^{12, 13}	Preset Bi-Level Dim Sensor (xx = eg. 20%,30%)	SYN ¹⁸	Synapse Control System
BDxxPC ^{12, 13}	Preset Bi-Level Dim Sensor w/ Photocell	SYNS/Lx ^{14, 18}	Synapse Control System w/ Sensor (x=Mounting height, 3=20', 7=40')
		AWNRR	Lutron Athena Option

* See options and footnotes on page 2

LINEAR HIGH BAY

		OPTIONS	
Factory Installed		Ship With Accessories	
GTD	Factory Installed Generator Transfer Device	SMZB KIT EDV ²³	Surface Mount Bracket (2), leaves 2" gap b/w fixture and surface
EM5 ^{23,17}	5W LED Factory Installed Battery Backup	HOOK ^{9,20}	Cast Hook
EM5/HE ^{23,17}	5W LED Factory Installed Battery Backup - CEC Title 20 Compliant	HUB 3/4 ^{9,20}	3/4 Conduit Hub
EM7 ^{23,17}	7W LED Factory Installed Battery Backup	HB-60-18Y-PAD	5' adjustable Y-Toggle aircraft cable set
EM7/HE ^{23,17}	7W LED Factory Installed Battery Backup - CEC Title 20 Compliant	HB-120-18Y-PAD	10' adjustable Y-Toggle aircraft cable set
EM10 ^{23,17}	10W LED Factory Installed Battery Backup	ES/PCD ¹⁰	EasySense Pre-Programmed Control Device
EM10/HE ^{23,17}	10W LED Factory Installed Battery Backup - CEC Title 20 Compliant	ES/IR ¹¹	EasySense Commissioning IR Blaster
EM10/HE-SD ^{23,17}	10W Self Diagnostic Battery Backup - CEC Title 20 Compliant	ES/WWS/DR	EasySense Dual Rocker Wireless Wall Switch
EM12 ^{23,17}	12W LED Factory Installed Battery Backup	WC	11ga Wire Cage
EM20 ^{6,7,17,23}	20W LED Factory Installed Battery Backup - CEC Title 20 Compliant		
EM25 ^{6,7,17,23}	25W LED Factory Installed Battery Backup		
SD347 ^{21,23}	347V Step Down Transformer		
SD480 ²³	480V Step Down Transformer		
CORDx	Cord (x = ft)		
CORD/XFT/L7-15P	Cord (x=ft) with 277V 15amp Plug		
QDCx	Quick Disconnect Cord (x = ft)		
FMB ⁸	Fixture Mounting Box - Use when single point mounting		

¹ Reduces published performance by 16%

² Consult Factory for Pricing & Availability

³ Reference High Temperature Ratings by lumen package on page 4

⁴ Not available with EM, SD, UP, BLK, or RALxxxx Options

⁵ Consult Factory for more details

⁶ Cannot be used w/ FMB, HUB, or HOOK

⁷ Mounted externally to fixture

⁸ Must use w/ HUB 3/4 for Pendant Mounting

⁹ Must use w/ FMB/EDV Mounting

¹⁰ One Needed Per Project

¹¹ Must be used with ES/PCD

¹² Sensor Mounted off end cap of fixture

¹³ Operation down to 14°F

¹⁴ Sensor Mounted on center drive channel

¹⁵ Must be used w/ ES/PCD and ES/IR options for commissioning

¹⁶ Operation down to -30°F

¹⁷ Operation down to 32°F

¹⁸ Requires Site Layout, Consult Factory

¹⁹ High Temp (HT) sensor options limited to FIOS, FSP-311, & ZLD1Z Sensor selections

²⁰ May require aircraft cables to achieve balance for specific configurations. Consult factory

²¹ Not compatible with Hook or Hub when ordered with 100L

²² Consult factory for 100L configuration

²³ Reduces Max Ambient; Consult factory



QUICK SHIP ITEMS:

SERIES	LUMENS	DRIVER	CCT	PRIMARY LENS
EDV2 Endeavour	12L	U 120-277V	50	FRL* Frosted Acrylic Lens
	18L		40	
	24L			

* Stocked products only available with Frosted Lens (FRL)

LINEAR HIGH BAY

SYSTEMS INFO ^{1,3,4}	3000K CCT		3500K CCT		4000K CCT		5000K CCT		Watts ²	Ambient Temp. Range	Replaces
	Part #	Lumens	LPW	Lumens	LPW	Lumens	LPW	Lumens			
EDV2-8L-U-xx	8142	154	8276	156	8410	159	8679	164	53	-4F to 131F	100W MH, 4T8
EDV2-8L-U-xx-ND	7981	151	8113	153	8245	156	8508	161	53	-4F to 131F	100W MH, 4T8
EDV2-8L-U-xx-FRL	7701	146	7828	148	7955	150	8210	155	53	-4F to 131F	100W MH, 4T8
EDV2-8L-U-xx-FRL-ND	7247	137	7367	139	7486	141	7723	146	53	-4F to 131F	100W MH, 4T8
EDV2-8L-U-xx-PFL	7343	139	7464	141	7586	144	7828	148	53	-4F to 131F	100W MH, 4T8
EDV2-8L-U-xx-PFL-ND	6791	128	6903	130	7011	133	7240	137	53	-4F to 131F	100W MH, 4T8
EDV2-12L-U-xx	11830	141	12025	144	12220	146	12611	151	84	-40F to 131F	175W MH, 2T5HO
EDV2-12L-U-xx-ND	11597	139	11789	141	11980	143	12363	148	84	-40F to 131F	175W MH, 2T5HO
EDV2-12L-U-xx-FRL	11190	134	11375	136	11560	138	11929	143	84	-40F to 131F	175W MH, 2T5HO
EDV2-12L-U-xx-FRL-ND	10970	131	11151	133	11332	135	11694	140	84	-40F to 131F	175W MH, 2T5HO
EDV2-12L-U-xx-PFL	11396	137	11584	139	11772	141	12148	146	83	-40F to 131F	175W MH, 2T5HO
EDV2-12L-U-xx-PFL-ND	11172	134	11356	136	11540	138	11909	143	83	-40F to 131F	175W MH, 2T5HO
EDV2-15L-U-xx	15272	147	15524	149	15776	152	16280	156	104	-40F to 131F	200W MH, 6T8
EDV2-15L-U-xx-ND	14971	144	15218	146	15465	149	15960	153	104	-40F to 131F	200W MH, 6T8
EDV2-15L-U-xx-FRL	14446	139	14684	141	14923	143	15400	148	104	-40F to 131F	200W MH, 6T8
EDV2-15L-U-xx-FRL-ND	14162	136	14395	138	14629	141	15097	145	104	-40F to 131F	200W MH, 6T8
EDV2-15L-U-xx-PFL	13490	131	13713	133	13935	135	14381	140	103	-40F to 131F	200W MH, 6T8
EDV2-15L-U-xx-PFL-ND	13225	128	13443	131	13661	133	14098	137	103	-40F to 131F	200W MH, 6T8
EDV2-18L-U-xx	19587	147	19910	150	20233	152	20880	157	133	-40F to 131F	250W MH, 4T5HO
EDV2-18L-U-xx-ND	19201	144	19518	147	19835	149	20460	154	133	-40F to 131F	250W MH, 4T5HO
EDV2-18L-U-xx-FRL	18392	138	18696	140	19000	143	19607	147	133	-40F to 131F	250W MH, 4T5HO
EDV2-18L-U-xx-FRL-ND	18030	135	18328	138	18626	140	19221	144	133	-40F to 131F	250W MH, 4T5HO
EDV2-18L-U-xx-PFL	17679	133	17971	135	18263	137	18847	142	133	-40F to 131F	250W MH, 4T5HO
EDV2-18L-U-xx-PFL-ND	17331	130	17618	132	17904	135	18476	139	133	-40F to 131F	250W MH, 4T5HO
EDV2-24L-U-xx	23696	146	24087	148	24478	150	25260	155	163	-40F to 131F	400W MH, 6T5HO
EDV2-24L-U-xx-ND	23444	143	23830	145	24217	147	24980	152	164	-40F to 131F	400W MH, 6T5HO
EDV2-24L-U-xx-FRL	22373	138	22742	140	23111	142	23850	147	162	-40F to 131F	400W MH, 6T5HO
EDV2-24L-U-xx-FRL-ND	20798	125	21141	127	21485	129	22170	133	167	-40F to 131F	400W MH, 6T5HO
EDV2-24L-U-xx-PFL	20807	128	21150	130	21494	132	22180	137	162	-40F to 131F	400W MH, 6T5HO
EDV2-24L-U-xx-PFL-ND	19629	118	19953	120	20277	122	20920	126	167	-40F to 131F	400W MH, 6T5HO
EDV2-30L-U-xx	30708	144	31215	146	31722	149	32730	153	213	-40F to 122F	575W MH, 10T8
EDV2-30L-U-xx-ND	29495	138	29982	140	30468	143	31430	147	214	-40F to 122F	575W MH, 10T8
EDV2-30L-U-xx-FRL	29048	136	29527	138	30007	141	30965	145	213	-40F to 122F	575W MH, 10T8
EDV2-30L-U-xx-FRL-ND	28476	133	28946	136	29416	138	30356	142	213	-40F to 122F	575W MH, 10T8
EDV2-30L-U-xx-PFL	27441	129	27894	131	28347	133	29253	137	213	-40F to 122F	575W MH, 10T8
EDV2-30L-U-xx-PFL-ND	26901	126	27345	128	27789	130	28677	134	213	-40F to 122F	575W MH, 10T8
EDV2-36L-U-xx	34298	138	34864	141	35430	143	36562	147	248	-40F to 122F	750W MH, 8T5HO
EDV2-36L-U-xx-ND	33623	136	34178	138	34733	140	35843	144	248	-40F to 122F	750W MH, 8T5HO
EDV2-36L-U-xx-FRL	32443	131	32979	133	33514	135	34570	139	248	-40F to 122F	750W MH, 8T5HO
EDV2-36L-U-xx-FRL-ND	30464	123	30967	125	31469	127	32490	131	248	-40F to 122F	750W MH, 8T5HO
EDV2-36L-U-xx-PFL	30368	123	30869	125	31371	127	32380	131	248	-40F to 122F	750W MH, 8T5HO
EDV2-36L-U-xx-PFL-ND	28267	114	28734	116	29200	118	30140	122	247	-40F to 122F	750W MH, 8T5HO

¹LED Chips are frequently updated therefore values are nominal

³BLK fixture finish reduces stated performance by 16%.

²Electrical data at 25°C (77°F) 277V. Actual wattage may differ by +/-10%.

⁴Preliminary test data

*Please refer to the DLC Qualified Products List at www.Designlights.org/QPL to confirm specific product qualifications.

SYSTEMS INFO 1,3,4	3000K CCT		3500K CCT		4000K CCT		5000K CCT		Watts ²	Ambient Temp. Range	Replaces
	Part #	Lumens	LPW	Lumens	LPW	Lumens	LPW	Lumens			
EDV4-12L-U-xx	12537	150	12744	152	12951	155	13365	160	84	-40F to 131F	175W MH, 2T5HO
EDV4-12L-U-xx-ND	12290	147	12493	149	12696	152	13102	157	84	-40F to 131F	175W MH, 2T5HO
EDV4-12L-U-xx-FRL	11859	142	12055	144	12251	146	12642	151	84	-40F to 131F	175W MH, 2T5HO
EDV4-12L-U-xx-FRL-ND	11626	139	11818	141	12010	143	12393	148	84	-40F to 131F	175W MH, 2T5HO
EDV4-12L-U-xx-PFL	11316	136	11503	138	11690	140	12063	145	83	-40F to 131F	175W MH, 2T5HO
EDV4-12L-U-xx-PFL-ND	11094	133	11277	135	11460	137	11826	142	83	-40F to 131F	175W MH, 2T5HO
EDV4-15L-U-xx	15921	153	16184	155	16446	158	16972	163	104	-40F to 131F	200W MH, 6T8
EDV4-15L-U-xx-ND	15608	150	15865	152	16123	155	16638	160	104	-40F to 131F	200W MH, 6T8
EDV4-15L-U-xx-FRL	15060	145	15308	147	15557	149	16054	154	104	-40F to 131F	200W MH, 6T8
EDV4-15L-U-xx-FRL-ND	14764	142	15007	144	15251	147	15738	151	104	-40F to 131F	200W MH, 6T8
EDV4-15L-U-xx-PFL	14371	140	14608	142	14845	144	15319	149	103	-40F to 131F	200W MH, 6T8
EDV4-15L-U-xx-PFL-ND	14088	137	14320	139	14553	141	15018	146	103	-40F to 131F	200W MH, 6T8
EDV4-18L-U-xx	20079	151	20410	153	20742	156	21404	161	133	-40F to 131F	250W MH, 4T5HO
EDV4-18L-U-xx-ND	19684	148	20009	150	20333	153	20983	158	133	-40F to 131F	250W MH, 4T5HO
EDV4-18L-U-xx-FRL	18993	143	19306	145	19620	147	20247	152	133	-40F to 131F	250W MH, 4T5HO
EDV4-18L-U-xx-FRL-ND	18619	140	18927	142	19234	145	19848	149	133	-40F to 131F	250W MH, 4T5HO
EDV4-18L-U-xx-PFL	18124	136	18423	138	18722	141	19320	145	133	-40F to 131F	250W MH, 4T5HO
EDV4-18L-U-xx-PFL-ND	17767	133	18060	136	18354	138	18940	142	133	-40F to 131F	250W MH, 4T5HO
EDV4-24L-U-xx	23871	150	24265	153	24659	155	25447	160	159	-40F to 131F	400W MH, 6T5HO
EDV4-24L-U-xx-ND	23401	147	23787	150	24173	152	24946	157	159	-40F to 131F	400W MH, 6T5HO
EDV4-24L-U-xx-FRL	22580	142	22953	145	23325	147	24071	152	159	-40F to 131F	400W MH, 6T5HO
EDV4-24L-U-xx-FRL-ND	22136	139	22501	142	22866	144	23597	149	159	-40F to 131F	400W MH, 6T5HO
EDV4-24L-U-xx-PFL	21244	134	21595	136	21946	138	22647	143	159	-40F to 131F	400W MH, 6T5HO
EDV4-24L-U-xx-PFL-ND	20826	131	21170	133	21514	136	22201	140	159	-40F to 131F	400W MH, 6T5HO
EDV4-30L-U-xx	30684	144	31190	147	31697	149	32700	154	212	-40F to 131F	575W MH, 10T8
EDV4-30L-U-xx-ND	30080	142	30577	144	31073	146	32066	151	212	-40F to 131F	575W MH, 10T8
EDV4-30L-U-xx-FRL	29802	137	30294	139	30786	141	31769	146	218	-40F to 131F	575W MH, 10T8
EDV4-30L-U-xx-FRL-ND	27478	130	27931	132	28385	134	29300	138	212	-40F to 131F	575W MH, 10T8
EDV4-30L-U-xx-PFL	26875	127	27318	129	27762	131	28650	135	212	-40F to 131F	575W MH, 10T8
EDV4-30L-U-xx-PFL-ND	25777	122	26202	124	26628	126	27480	130	212	-40F to 131F	575W MH, 10T8
EDV4-36L-U-xx	36334	147	36933	149	37533	152	38732	156	248	-40F to 131F	750W MH, 8T5HO
EDV4-36L-U-xx-ND	35619	144	36207	146	36795	149	37970	153	248	-40F to 131F	750W MH, 8T5HO
EDV4-36L-U-xx-FRL	34369	139	34936	141	35504	143	36638	148	248	-40F to 131F	750W MH, 8T5HO
EDV4-36L-U-xx-FRL-ND	33693	136	34249	138	34805	141	35917	145	248	-40F to 131F	750W MH, 8T5HO
EDV4-36L-U-xx-PFL	32261	130	32794	132	33326	134	34391	139	248	-40F to 131F	750W MH, 8T5HO
EDV4-36L-U-xx-PFL-ND	31626	127	32148	130	32670	132	33714	136	248	-40F to 131F	750W MH, 8T5HO
EDV4-48L-U-xx	47834	146	48623	148	49413	151	50990	156	328	-40F to 131F	1000W MH, 10T5HO
EDV4-48L-U-xx-ND	46893	143	47667	146	48440	148	49988	153	328	-40F to 131F	1000W MH, 10T5HO
EDV4-48L-U-xx-FRL	44148	135	44877	137	45606	140	47050	144	327	-40F to 131F	1000W MH, 10T5HO
EDV4-48L-U-xx-FRL-ND	43280	133	43994	135	44708	137	46137	141	327	-40F to 131F	1000W MH, 10T5HO
EDV4-48L-U-xx-PFL	43058	132	43768	134	44479	136	45900	141	327	-40F to 131F	1000W MH, 10T5HO
EDV4-48L-U-xx-PFL-ND	42210	129	42907	131	43604	134	44997	138	327	-40F to 131F	1000W MH, 10T5HO
EDV4-60L-U-xx	61368	144	62381	147	63394	149	65419	154	425	-40F to 122F	1000W MH, 12T5HO
EDV4-60L-U-xx-ND	60160	142	61153	144	62146	146	64132	151	425	-40F to 122F	1000W MH, 12T5HO
EDV4-60L-U-xx-FRL	58049	137	59007	139	59965	141	61882	146	425	-40F to 122F	1000W MH, 12T5HO
EDV4-60L-U-xx-FRL-ND	56907	134	57846	136	58786	138	60664	143	425	-40F to 122F	1000W MH, 12T5HO
EDV4-60L-U-xx-PFL	55392	130	56307	133	57221	135	59049	139	425	-40F to 122F	1000W MH, 12T5HO
EDV4-60L-U-xx-PFL-ND	54302	128	55199	130	56095	132	57887	136	425	-40F to 122F	1000W MH, 12T5HO
EDV4-75L-U-xx	70067	145	71223	148	72380	150	74693	155	482	-40F to 122F	1000W MH, 12T5HO
EDV4-75L-U-xx-ND	68688	143	69822	145	70956	147	73223	152	482	-40F to 122F	1000W MH, 12T5HO
EDV4-75L-U-xx-FRL	66278	138	67372	140	68466	142	70654	147	482	-40F to 122F	1000W MH, 12T5HO
EDV4-75L-U-xx-FRL-ND	64974	135	66046	137	67119	139	69250	144	482	-40F to 122F	1000W MH, 12T5HO
EDV4-75L-U-xx-PFL	64675	134	65743	136	66810	139	68945	143	482	-40F to 122F	1000W MH, 12T5HO
EDV4-75L-U-xx-PFL-ND	60281	125	61276	127	62271	129	64280	133	483	-40F to 122F	1000W MH, 12T5HO
EDV4-100L-U-xx	93665	146	95211	148	96756	150	99848	155	644	-40F to 122F	1000W MH, 12T5HO
EDV4-100L-U-xx-ND	91822	143	93337	145	94853	147	97883	152	644	-40F to 122F	1000W MH, 12T5HO
EDV4-100L-U-xx-FRL	88600	138	90062	140	91524	142	94449	147	644	-40F to 122F	1000W MH, 12T5HO
EDV4-100L-U-xx-FRL-ND	86856	135	88290	137	89723	139	92590	144	644	-40F to 122F	1000W MH, 12T5HO
EDV4-100L-U-xx-PFL	84545	131	85940	134	87335	136	90126	140	644	-40F to 122F	1000W MH, 12T5HO
EDV4-100L-U-xx-PFL-ND	82881	129	84249	131	85617	133	88340	137	644	-40F to 122F	1000W MH, 12T5HO

¹LED Chips are frequently updated therefore values are nominal

³BLK fixture finish reduces stated performance by 16%.

²Electrical data at 25°C (77°F) 277V. Actual wattage may differ by +/-10%.

⁴Preliminary test data

*Please refer to the DLC Qualified Products List at www.Designlights.org/QPL to confirm specific product qualifications.

LINEAR HIGH BAY

AMBIENT TEMPERATURE RANGE

PART NUMBERS	Suspended (18 in)	
	Standard	High Temp
EDV2-8L	131	149
EDV2-12L	131	149
EDV2-15L	131	149
EDV2-18L	131	149
EDV2-24L	131	N/A
EDV2-30L	122	N/A
EDV2-36L	122	N/A
EDV4-12L	131	N/A
EDV4-15L	131	N/A
EDV4-18L	131	N/A
EDV4-24L	131	149
EDV4-30L	131	149
EDV4-36L	131	149
EDV4-48L	131	149
EDV4-60L	122	149
EDV4-75L	122	131
EDV4-100L	122	131

LINEAR HIGH BAY

SPECIFICATIONS

CONSTRUCTION

Aluminum body with steel driver channel for maximum rigidity and thermal properties. Sleek curved polycarbonate injection molded end caps provide a modern finish while adding rigidity and durability. Toolless hinged driver door access for ease of maintenance and installation. Power access plate mounted on back of center driver channel for easy access to wiring. Product proudly assembled in the United States of America.

ELECTRICAL

Class 2 LED light engine for high efficacy and long life. Calculated $L_{70} > 100,000$ hrs. LED Lumen Maintenance Estimates based on TM-21 projections for the light source at 25°C ambient. Power Factor > 0.90 . THD $< 20\%$. Standard 120-277 Vac 0-10V dimmable (10%-100%) with optional 347-480 Vac step down transformer. Optional emergency battery backups and generator transfer device available to meet critical life safety lighting requirements.

MOUNTING

Options include suspension chain, aircraft cables, hook, single pendant (HUB), surface mount (SMZB KIT EDV). Reduced maximum ambient range for surface mount.

UPLIGHT OPTION

Offers an additional layer of lighting to optimize full room illumination by reducing the contrast between the luminaire and the ceiling, eliminating the "cave" effect. With a dedicated individual switchable 0-10V (10%) dimmable driver and 2 linear strips of LED boards, the modules are encapsulated with a frosted polycarbonate lens. Optional uplight wired to sensor if ordered together.

OPTICS

Standard without lens. Optional frosted acrylic (FRL) and frosted polycarbonate (PFL) lenses available for added LED protection and glare reduction. Both optics are IP5X rated; protected against dust intrusion. Frosted Polycarbonate lens (PFL) is IK10 impact rated; highest impact rating available. Wide (std.) & Narrow (ND) Distribution options available for all lumen packages.

THERMAL

Standard ambient temperature range -40°F up to 131°F (-40°C to 55°C), Optional high ambient temperature range -40°F up to 149°F (-40°C to 65°C). Fixture to be mounted at a minimum plenum height of 18" to maintain maximum ambient temperature. Reduced maximum ambient for surface mounting, emergency battery backup, and step down transformers; see ambient temperature table on page 5 for more details

CONTROLS

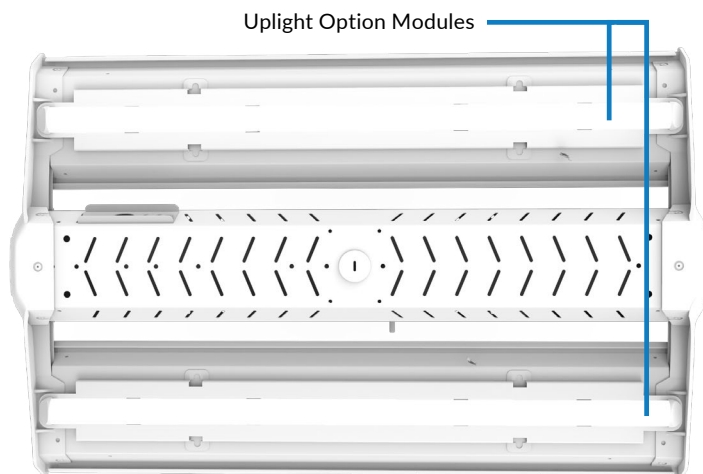
Factory installed Advanced and Basic integral occupancy sensor options available. All Basic sensors are end mounted. Advanced EasySense sensor is end mounted. All other Advanced sensors are center driver cover mounted. Inquire with manufacturer for additional controls options, including customer supplied items.

CERTIFICATIONS

ETL listed to US and Canadian safety standards. Suitable for damp locations. American Recovery and Reinvestment Act Funding Compliant. Please refer to the DLC (DesignLights Consortium) Qualified Products List at www.designlights.org/QPL to confirm specific product qualifications.

WARRANTY

5 Year Warranty Standard; 10 Year Warranty Optional ([Terms and Conditions apply](#)).



LINEAR HIGH BAY

CONTROLS OPTIONS

BASIC

FIOS

Standard on/off motion sensor. Comes with 360 degree high bay lens, 360 degree low bay lens & aisle lens. 360 degree high bay lens factory installed, unless notified otherwise. Sensor mounted off end cap of fixture. Inquire for mounting on center of driver cover.

FIOSPC

Motion sensor with the addition of photocell control. When installed, fixture will not activate unless 1. motion is detected and 2. light levels are below the preset level. When activated, fixture will turn on to 100% light output & will only shut off when one of the two levels mentioned above are met. If no motion is detected & light levels fall below preset level the fixture remains off. Sensor mounted off end cap of fixture.

FIOSPC/DLH

Factory installed motion sensor with the addition of photocell control that will allow for daylight harvesting. When installed, fixture will not activate unless 1. motion is detected & 2. light levels are below the preset level. When activated, fixture will turn on only enough to meet the preset light levels and will adjust as the amount of light in the space adjusts between 100%-10%. If light levels are adequate the fixture will remain off. Sensor mounted off end cap of fixture.

DHPC

Daylight Harvesting off photocell. Fixtures will continually dim up/down throughout the day based on light level readings taken from the photocell control. Sensor mounted off end cap of fixture.

USBD

User Selectable Bi-Level Dimming. Allows the end user to manually select the unoccupied dimming level. Once motion is detected, the fixture will return to 100% light output. Sensor mounted off end cap of fixture.

BDxx

Factory set Bi-Level Dimming. Sensor is set to dim level, as indicated in the "xx" portion of the part number, when the area is unoccupied. Example: BD20 sets the fixture to dim down to 20% lumen output when the area is unoccupied. Once motion is detected, the fixture will return to 100% light output. Sensor mounted off end cap of fixture.

BDxxPC

Factory set Bi-Level Dimming with motion and photocell. Sensor is set to dim level, as indicated in the "xx" portion of the part number, when the area is unoccupied and will not return to 100% light output unless 1. motion is detected and 2. the light level is below the preset level. Example: BD20PC sets the fixture to dim down to 20% lumen output when the area is unoccupied and will not return to 100% light output unless the above conditions are met for both motion and light level readings. Sensor mounted off end cap of fixture.

ADVANCED

Philips ES/HB

EasySense sensor combines occupancy sensing, daylight harvesting and institutional tuning in one compact solution. This is an ideal control for any high bay application. Each device allows you to turn on/off occupancy and/or daylight harvesting functions as well as set the full light output, background light level, occupancy prolong time, occupancy grace fading time & occupancy time out/hold time. Requires use of EasySense Pre-Programmed Control Device (ES/PCD) & Commissioning IR Blaster (ES/IR); one of each needed per project. (Sold separately). Sensor mounted off end cap of fixture.

Synapse (SYN or SYNS/Lx)

Utilizing a robust 2.4 GHz Self-Healing Mesh Network, Synapse provides flexibility and scalability making it a perfect solution for both new construction and retrofit projects. The easy-to-use web application is accessible on any device with an internet connection and allows for complete customization of the system and its features. Integral radio (SYN) with optional Wattstopper sensor (SYNS/Lx). Sensors available in 20' or 40' mounting lenses. Consult factory for coverage patterns. Sensor mounted on hinged driver cover. Antenna exits luminaire for maximum connectivity.

Leviton ZLD1Z

Optional Bluetooth Groupable PIR sensor that allows for Programmable Options such as, Continuous Dimming, Motion and/ or daylight harvesting, fully adjustable high/ low dimmed light levels, and Adjustable time delay/ cutoff delay. The sensor is programmed via a free iOS® or Android® Sensor Configuration App (compatible device provided by others). Sensor Mesh Grouping allows for 16 devices per group, with both Occupancy and Daylight Control. Recommended spacing < 100'. Comes standard with both 8'-20' or 20'-40' mounting lenses.

Default Settings:

- High Mode: 100% Output
- Auto-ON/Auto-OFF with 20-minute timeout
- Sensitivity: High
- Daylight Harvesting: Enabled

Legrand FSP-311

FSP-311 offers fully adjustable high and low dimmed light levels with optional photocell. Hold off setpoint with automatic calibration option. Adjustable time delay and cut off delay. Sensor adjustable programming via iOS® or Android® 'Sensor Configuration' App. Sensor mounted on center driver channel.

Enlighted 5S/CU/IL

Bundled System with Enlighted 5E sensor (SU-5S-H-IL), Control Unit (CU-4E-FM) and Cable (CBL-5E-CU4-30N). Fixtures are controlled based on occupancy and ambient light. Includes ability to group fixtures together and connect to a switch to zone fixtures for group operation. Provided factory installed components only. Enlighted system provided by others. Contact factory for more information. Sensor mounted on center driver channel.

Enlighted 5S/CU/CL

Bundled System with Enlighted 5E sensor (SU-5S-H-CL), Control Unit (CU-4E-FM) & Cable (CBL-5E-CU4-30N). Fixtures are controlled based on occupancy & ambient light. Includes individual lighting control plus connection to Enlighted Energy Manager. The Energy Manager provides data analysis for all data collected by the Enlighted Smart Sensors for energy, occupancy & environment. Provided factory installed components only. Enlighted system provided by others. Contact factory for more information. Sensor mounted on center driver channel.

Enlighted 5S/CU/IOT

Bundled System with Enlighted 5E sensor (SU-5S-H-IOT), Control Unit (CU-4E-FM) and Cable (CBL-5E-CU4-30N). Fixtures are controlled based on occupancy and ambient light. Includes individual lighting control plus connection to Enlighted Energy Manager. The Energy Manager provides data analysis for all data collected by Enlighted Smart Sensors for energy, occupancy & environment. Additionally, the IOT functionality takes the data access and function beyond just lighting to a wide range of applications beyond the standard connected lighting controls. Provided factory installed components only. Enlighted system provided by others. Contact factory for more information. Sensor mounted on center driver channel.

Lutron AWNR

Athena wireless node is a radio frequency (RF) device that enables simple, digital control of individual light fixtures in an Athena control system. Enables individual wireless control of each fixture in an Athena control system. Accommodates zone and control changes without rewiring. All drivers on the link are controlled as a single zone. Provided with factory installed components only. Lutron Athena system provided by others.

LINEAR HIGH BAY

OPTIONS



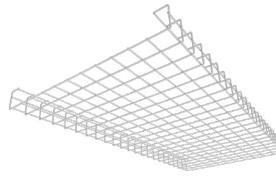
CORDx

Cords available in 6ft, 10ft, 12ft & 20ft
(Inquire for additional options) Plug options available



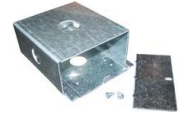
QDCx

Quick Disconnect Cords available in 6ft, 10ft, 12ft & 20ft (Inquire for additional options) Plug options available.



WC

11 GA Wire Cage



FMB

Includes rigid box to attach to the fixture, provides for single point mounting to accept a pendant, hook or conduit hub (sold separately)



HUB 3/4

Conduit Hub 3/4" for Pendant Mounting



HOOK

Cast Iron Hook for Single Point Mounting



HB-XX-18Y-PAD

Includes 2 adjustable cable hangers. Available in 60", 120", 180" & 240"

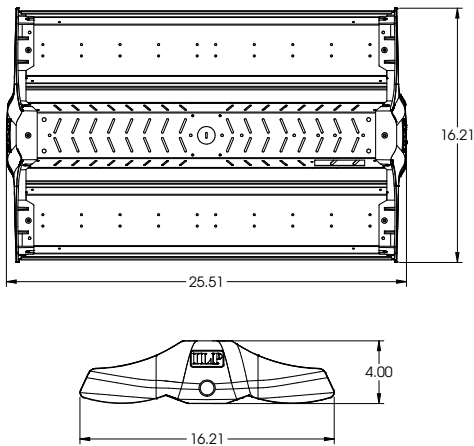


SMBZ KIT EDV

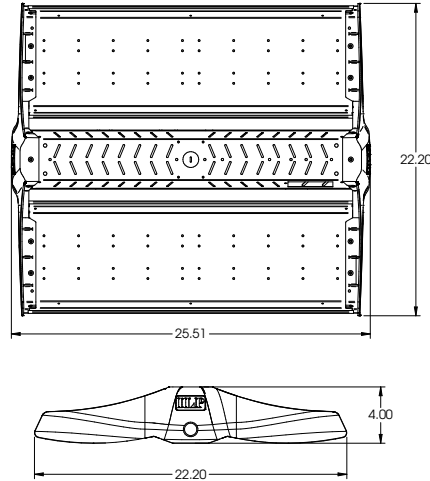
Surface Mount Bracket Kit provides a 2" space above the fixture

LINE DRAWINGS

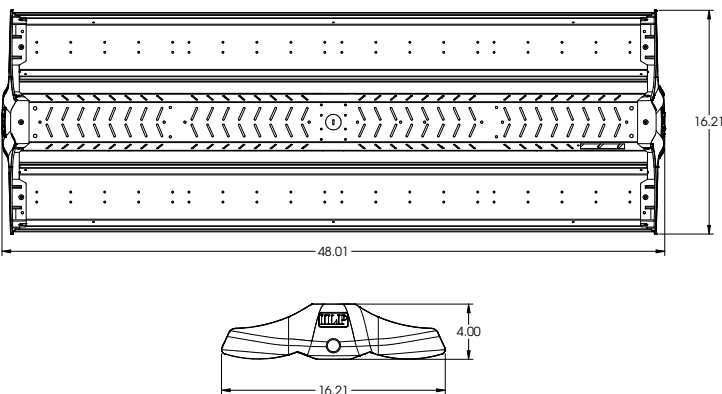
2 FT SMALL 8L - 24L



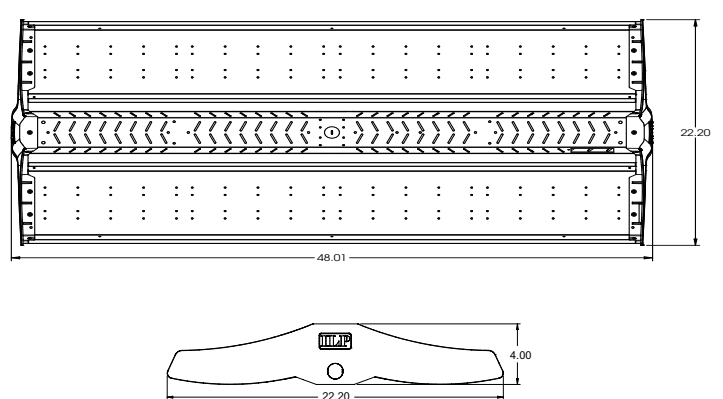
2 FT LARGE 30L - 36L



4 FT SMALL 12L - 30L



4 FT LARGE 36L - 100L

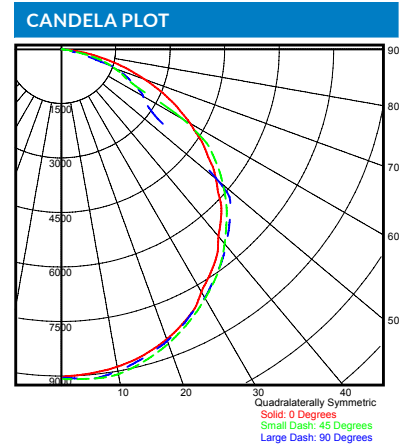


LINEAR HIGH BAY

PHOTOMETRIC DATA

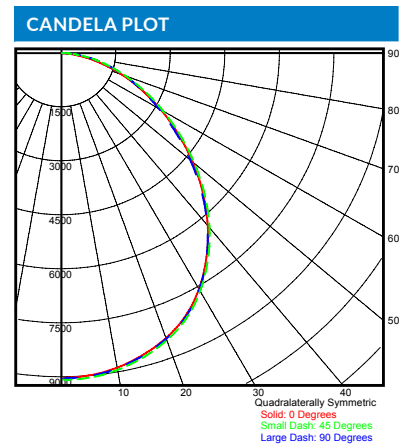
LUMINAIRE DATA	
Part Number	EDV2-24L-U-50
Description	Endeavor 2ft High Bay, 24000lm, without lens
Fixture Lumens (lm)	25,255 lm
Wattage (W)	163 W
Efficacy (lm/W)	155 lm/W
Mounting	Pendant
Spacing Criteria	0° = 1.28, 90° = 1.29

ZONAL LUMEN SUMMARY		
Zone	Lumens (lm)	% Fixture
0° - 40°	12,031	48%
0° - 60°	21,187	84%
0° - 90°	25,255	100%
90° - 180°	0	0%
0° - 180°	25,255	100%



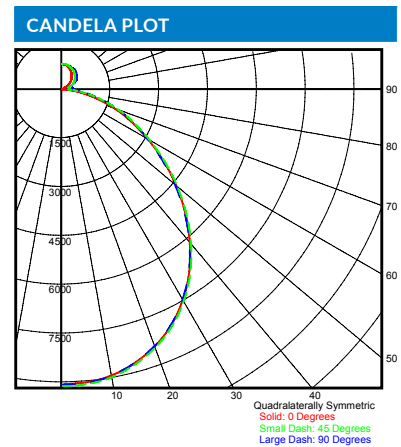
LUMINAIRE DATA	
Part Number	EDV2-24L-U-50-FRL
Description	Endeavor 2ft High Bay, 24000lm, with frosted acrylic lens
Fixture Lumens (lm)	23,849 lm
Wattage (W)	162 W
Efficacy (lm/W)	147 lm/W
Mounting	Pendant
Spacing Criteria	0° = 1.24, 90° = 1.24

ZONAL LUMEN SUMMARY		
Zone	Lumens (lm)	% Fixture
0° - 40°	11,424	48%
0° - 60°	19,177	80%
0° - 90°	23,309	98%
90° - 180°	540	2%
0° - 180°	23,849	100%



LUMINAIRE DATA	
Part Number	EDV2-24L-U-50-FRL-UP/2L
Description	Endeavor 2ft High Bay, 24000lm, with frosted acrylic lens & 2000lm uplight
Fixture Lumens (lm)	25849 lm
Wattage (W)	179 W
Efficacy (lm/W)	144 lm/W
Mounting	Pendant
Spacing Criteria	0° = 1.24, 90° = 1.24

ZONAL LUMEN SUMMARY		
Zone	Lumens (lm)	% Fixture
0° - 40°	11,424	44%
0° - 60°	19,177	74%
0° - 90°	23,309	90%
90° - 180°	2,540	10%
0° - 180°	25,849	100%



LUMINAIRE DATA	
Part Number	EDV2-24L-U-50-FRL-ND
Description	Endeavor 2ft High Bay, 24000lm, with narrow distribution through a frosted acrylic lens
Fixture Lumens (lm)	22,166 lm
Wattage (W)	167 W
Efficacy (lm/W)	133 lm/W
Mounting	Pendant
Spacing Criteria	0° = 1.16, 90° = 0.80

ZONAL LUMEN SUMMARY		
Zone	Lumens (lm)	% Fixture
0° - 40°	13,640	62%
0° - 60°	19,488	88%
0° - 90°	21,987	99%
90° - 180°	179	1%
0° - 180°	22,166	100%

