



LED EP30-5020ew



Part #: EBP30DM/B/13W/900/40D/27K/E26/E Bulb Class: PAR30



Product Description

LED EP30-5020ew delivers superior brightness, valuable energy savings and long lasting performance. This PAR30 LED Long Neck bulb is ideal for ambient lighting or general purpose applications due to its uniform *warm white light (2700K) and replaces conventional 75 Watt incandescent light bulbs. Enjoy features such as: instant on, dimming options, shatter resistance and mercury free.



Estimated Energy Cost: \$1.56 per year

*Note: Design, features and specifications subject to change without notice. Some features may not be available on all models. For more information regarding dimmer compatibility please visit: www.eurilighting.com or call 1-888-743-5766



Specifications

| Input Power | Input Voltage | Lumen Output | Beam Angle | Center Beam | CCT |
|-------------|-------------------|--------------|---------------|-------------|---------------|
| 13 W | 120V/60Hz | 900 lm | 40° | 2043 cd | 2700 K |
| CRI | Luminous Efficacy | Power Factor | Input Current | Base/Cap | Lamp Lifespan |
| 90+ | 69 lm/W | 0.8 | 0.1 A | E26 | 25,000 Hrs. |

Product Features



Dimmable



Instant-On/Off

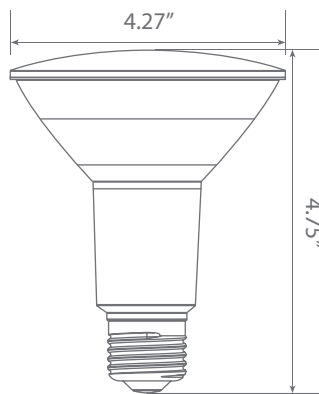


Mercury Free

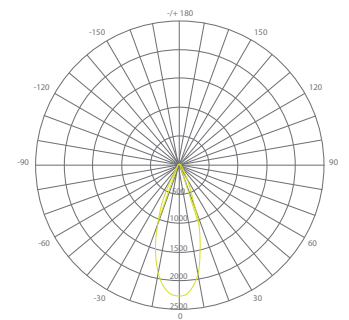


Wet Rated

Product Dimensions



Product Photometric Data



Euri Lighting | A Division of **IRTRONIX** Inc.

20900 Normandie Avenue Bldg. B, Torrance, CA 90502 | Tel: 888.743.5766 | Fax: 310.787.1166 | www.eurilighting.com
 ©2017 Euri Lighting. All Rights Reserved