

**Dimmable LED/CFL
Incandescent/Halogen
Remote Dimmer Switch**



Model No.: 57302-3K

Description: The 57302-3K Remote Switch is a companion device designed to work with the dimmer switch 57302. Alone the 57302 is a Single Pole Switch, but the 57302-3K will enable the 3-way switching capability.

Features:

- Replaces current light switch using home's existing wiring
- Provides wider dimming range for dimmable LED and CFL bulbs than standard incandescent dimmers
- Suitable for multi-gang installations
- Dim lighting for increased energy savings
- Designed for compatibility with most high efficiency light bulbs.

Specifications:

Voltage	120VAC, 60Hz
Incandescent/Halogen	600W
Dimmable LED and CFL.....	150W
Ambient operating temperature:	32 °F to 104 °F (0 °C to 40 °C), 0% to 90% humidity
Warranty	2 Years

Testing & Code Compliance



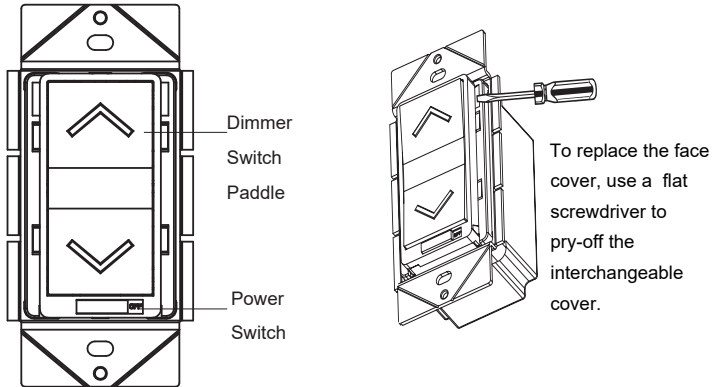
Manual Operation

Manual Control

This dimmer switch allows the user to:

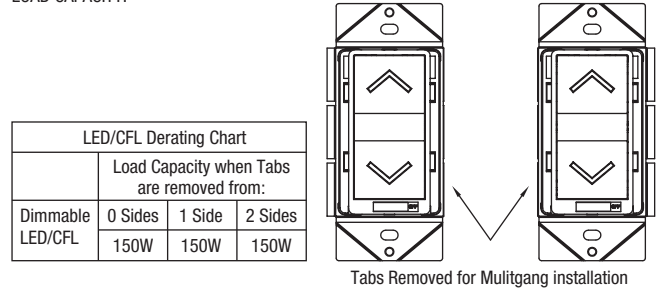
Turn ON/OFF and control the brightness level of the connected LED lighting.

- Slide the power switch to turn the connected lights ON/OFF
- To turn ON the connected lighting: press top of the dimmer switch paddle and release.
- To brighten the connected lighting: press and hold the top of the dimmer switch paddle, release when desired level is achieved.
- To turn OFF the connected lighting: press bottom of the dimmer switch paddle and release.
- To dim the connected lighting: press and hold the bottom of the dimmer switch paddle, release when desired level is achieved.



MULTIGANG INSTALLATION

When installing more than one control in the same wall box, it may be necessary to remove the side tabs before installing (see below). Using pliers, bend each tab back and forth until they break off. Repeat for each tab to be removed. Removal of tabs WILL REDUCE MAXIMUM LOAD CAPACITY.



LED/CFL Derating Chart			
Dimmable LED/CFL	Load Capacity when Tabs are removed from:		
	0 Sides	1 Side	2 Sides
	150W	150W	150W

When using the Dimmer to control LED/CFL lights **in conjunction** with another Dimmer to control Incandescent /Halogen lights follow this Derating Chart for Maximum Capacity on **EACH** device.

If the combined Wattage of ALL LED/CFL bulbs on 1 dimmer is:	Then the Maximum COMBINED Wattaged for the Incandescent/Halogen bulbs on EACH attached dimmer:		
	If NO Tabs are removed then Max Wattage is:	If 1 side of Tabs are removed then Max Wattage is:	If 2 sides of Tabs are removed then Max Wattage is:
0W	600W	500W	400W
1-25W	500W	400W	300W
26-50W	400W	300W	200W
51-75W	300W	200W	100W
76-100W	200W	100W	50W
101-125W	100W	50W	0W
126-150W	0W	0W	0W

Wiring Diagram:

3-Way Wiring: Require 57302-3K remote dimmer

