

**Isolated Ground
Duplex TR Receptacle
2-Pole, 3-Wire
20A/125V, 5-20R**



Model No.: 62010-TR

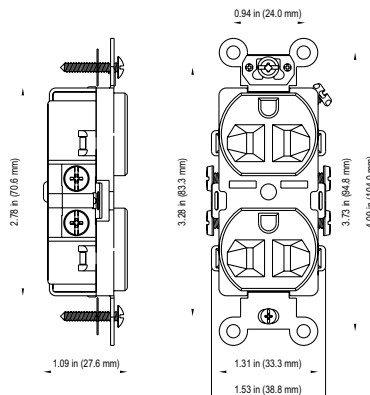
Description: Enerlites' Isolated Ground Duplex Receptacles are Tamper Resistant and equipped with break-off plaster ears and tabs to allow for easy alignment and 2-circuit conversion. All duplex receptacles and designed with thermoplastic construction and feature a shallow build for maximum wiring room.

Features:

- 20 amp/125-Volt
- Flammability UL94, V2 Rating.
- With ears; straight blade; quick push-in and side wired; steel strap
- Tamper Resistant
- Shallow design for maximum wiring room

Specifications:

Type Two Pole
 Color Availability..... White and Ivory
 Grounding..... Isolated Grounding
 Amperage..... 20Amp
 Voltage..... 125V
 Termination..... Push In and Side Wired
 Thermoplastic Cover and Body
 Standards and Certifications..... UL Listed



Testing & Code Compliance



Enerlites, Inc.

www.enerlites.com

Phone: 949-756-0536 Fax: 949-756-0528 e-mail: sales@enerlites.com