

**Industrial Grade Flush
Mount Receptacle
NEMA 10-50R**



Model No.: 67500-BK

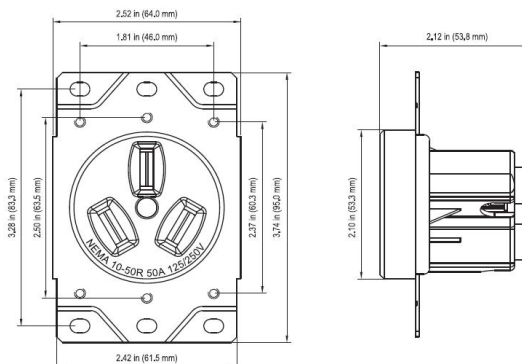
Description: Enerlites's NEMA devices provide a safe disconnect solution between an equipment load and a power source. Built of durable thermoplastic, power receptacles come equipped with heavy-gauge, double-wire copper alloy contacts. To ensure correct and speedy wiring, terminals have ID markings. Flush mount receptacles fit Enerlites's wide range of 2.15 in. diameter wall plates

Features:

- Fits all wall plates with 2.15 in. Diameter center hole
- Terminals marked for easy identification and fast wiring
- All mounting hardware included
- Flush-mount devices fit single or 2-Gang outlet boxes
- Easy-to-wire terminals accept up to number 4 AWG conductors
- Flammability UL94, V2 Rating
- High Impact-Resistant Chemical-Resistant Nylon
- Reinforced Thermoplastic Polyester

Specifications:

Type.....	Outlet
Rating.....	50Amp, 125/250Volt
Wiring Scheme.....	3 Pole, 3 Wire
Nema Configuration.....	10-50R
Max Working Voltage.....	50Amp
Termination.....	4AWG Conductors
Standards and Certifications.....	UL Listed



Testing & Code Compliance



Enerlites, Inc.

www.enerlites.com

Phone: 949-756-0536 Fax: 949-756-0528 e-mail: sales@enerlites.com