

Hospital Grade Duplex Receptacle 2-Pole, 3-Wire 15A/125V, 5-15R



Model No.: 68150

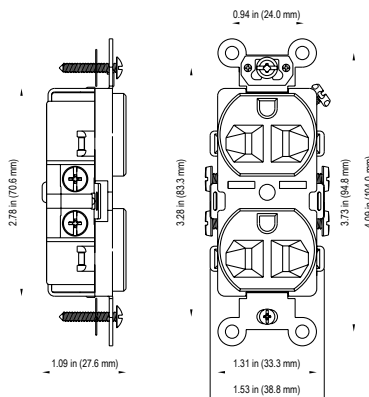
Description: Enerlites' Hospital Grade Receptacles are rated for variety of standard configuration. Each duplex is equipped with break-off plaster ears and tabs to allow for easy alignment and 2-circuit conversion. All duplex receptacles are designed with thermoplastic construction and feature a shallow build for maximum wiring room

Features:

- 15 amp/125-Volt
- Flammability UL94, V2 Rating.
- With ears; straight blade; Back and side wired; steel strap
- NEMA 5-15R, 2P and 3W
- Shallow design for maximum wiring room

Specifications:

Type Two Pole
 Color Availability.....White, Red, Ivory, and Orange
 Grounding.....Grounding
 Amperage.....15Amp
 Voltage..... 125V
 Termination.....Back and Side Wired
 Actuator MaterialThermoplastic
 Standards and Certifications..... UL Listed



Testing & Code Compliance



Enerlites, Inc.

www.enerlites.com

Phone: 949-756-0536 Fax: 949-756-0528 e-mail: sales@enerlites.com