

**Residential Grade
Lighted Toggle Switch/
Single Pole**
Model No.: 88115L



Description:

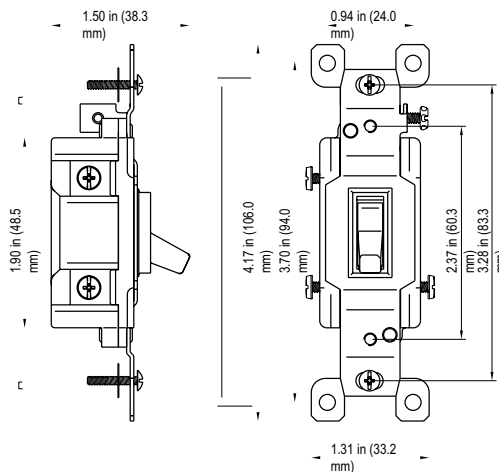
The 88115L switch make installation quick and simple with its versatile design. This switch features side mount wiring as well as push-in wiring on the rear (for use with copper wiring). The impact resistant thermoplastic body is built strong to endure years of use as well as being resistant to a wide temperature range.

Features:

- Quick and Easy Installation
- Side and Rear Wiring
- Grounding Screw Attached
- Durable Impact-Resistant Thermoplastic Switch and Frame
- 2 Year Warranty

Specifications:

| | |
|-----------------------------------|--------------------------|
| Type | Single Pole |
| Color Availability..... | White and Clear |
| Ground..... | Grounding Screw Attached |
| Amperage..... | 15Amp |
| Voltage..... | 120/277VAC |
| Termination..... | Rear Push In and Side |
| Actuator Material | Thermoplastic |
| Standards and Certifications..... | UL Listed |



Testing and Code Compliances



Enerlites, Inc.

www.enerlites.com

Phone: 949-756-0536 Fax: 949-756-0528 e-mail: sales@enerlites.com

Date: 03/01/2016