

**Residential Grade
Decorator Switch
3-Way, Self-Grounding
15A, 120/277VAC**



Model No.: 93150-W

Description: The 93150 switches make installation quick and simple with its versatile design. This switch features side mount wiring as well as push-in wiring on the rear. The impact resistant thermoplastic body is built strong to endure years of use as well as being resistant to a wide temperature range. You can transform the look of your home and increase its resale value with these modern switches.

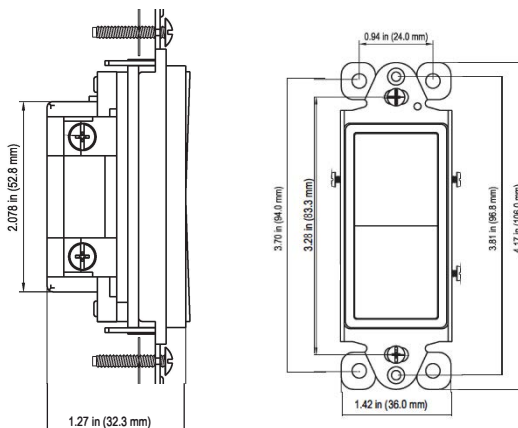
Features:

- 15 Amp, 120/277VAC
- Large quiet decorator paddle to turn lights on and off.
- Controls light(s) from two locations (two 3-way switches must be used in a 3-way circuit)
- Flammability UL94, V2 Rating.
- Push in and side wired for quick installation
- Easy to wire, work with tungsten, fluorescent and resistive loads.

Specifications:

Type	3-Way
Color Availability.....	White, Light Almond, Ivory, Black and Gray
Ground.....	Grounding Screw Attached
Amperage.....	15Amp
Voltage.....	120/277VAC
Termination.....	Rear Push In and Side
Actuator Material	Thermoplastic
Standards and Certifications.....	UL Listed

Testing & Code Compliance



Enerlites, Inc.

www.enerlites.com

Phone: 949-756-0536 Fax: 949-756-0528 e-mail: sales@enerlites.com