



Texas Fluorescents
Reinvented

CATALOG# : _____
PROJECT : _____
TYPE : _____

Series EOS

LED LIGHT ENGINE

EOS is a driver-on-board technology with NEW EOS LED Light Engine providing excellent amount of light. EOS is a Retrofit Kits with UL Recognized LED Components including LED modules, heat sinks, and surge protectors. EOS LED Light Engine is also listed on the Energy Star Certified Subcomponent Database. (Consult Factory for Details) These units are low maintenance and easy to install. It is perfect for many applications including damp location.

CONSTRUCTION

Integrated powdercoated aluminum heat sink with ground wire. On board line surge protection. 12" 18 AWG Leads. AC Driver-On-Board Technology. Data Per NVLAP Accredited Laboratory TRIAC Dimmable To 5% (forward & reverse phase).

MOUNTING

Standard mounting options for easy install with optional hardware

TYPICAL OPTIONS & ACCESSORIES

Optional MOV ground surge protection



DIMENSIONS

6.06"W x 6.06"L

FEATURES & BENEFITS

- Input Voltage: 120VAC; 50/60Hz
- 12W, 15W & 22W Models
- Available in 3000K or 4000K
- Constant current design
- High power factor > 0.98
- Estimated 50,000 hrs L70
- Max Lens Temp. (Tc): 80°C (see below for Tc location)
- Optical grade polycarbonate lens
- ETL/UL 1598 Classified Retrofit Kit
- Energy Star (Consult Factory for Details)
- FCC compliance Class B
- 5 Year Warranty



DRAWINGS & IMAGES



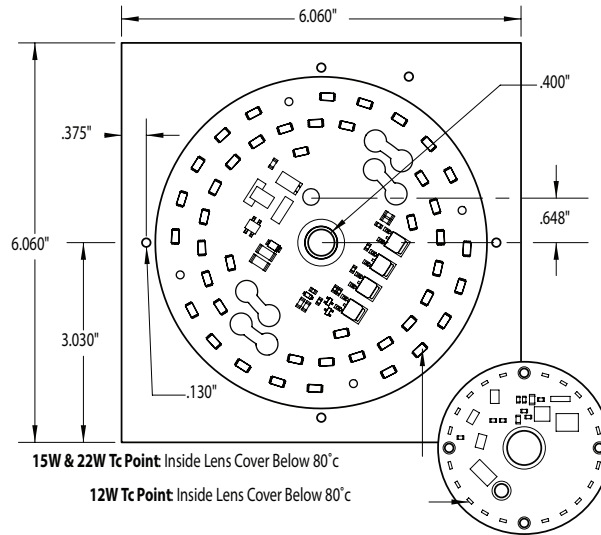
12W Models



15 Models



22 Models



ORDER INFORMATION

ITEM NUMBER	DESCRIPTION
EOS12W900LD12030KSQ	EOS LED LIGHT ENGINE w/6" Square Alum Heat Sink - 12W, 900L, 3000K
EOS12W1000LD12040KSQ	EOS LED LIGHT ENGINE w/6" Square Alum Heat Sink - 12W, 1000L, 4000K
EOS15W1350LD12030KSQ	EOS LED LIGHT ENGINE w/6" Square Alum Heat Sink - 15W, 1350L, 3000K
EOS15W1400LD12040KSQ	EOS LED LIGHT ENGINE w/6" Square Alum Heat Sink - 15W, 1400L, 4000K
EOS22W1850LD12030KSQ	EOS LED LIGHT ENGINE w/6" Square Alum Heat Sink - 22W, 1850L, 3000K
EOS22W1900LD12040KSQ	EOS LED LIGHT ENGINE w/6" Square Alum Heat Sink - 22W, 1900L, 4000K