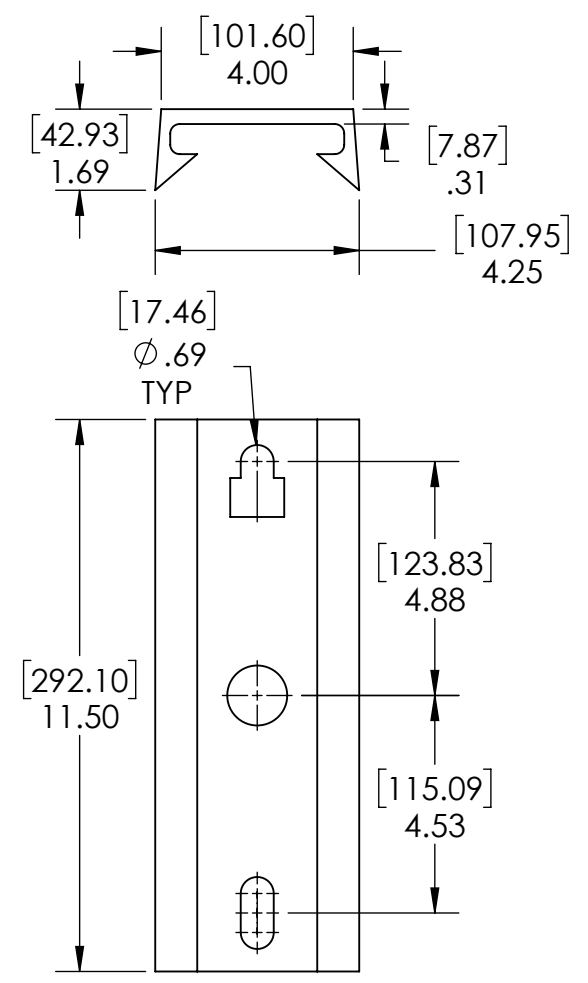


4

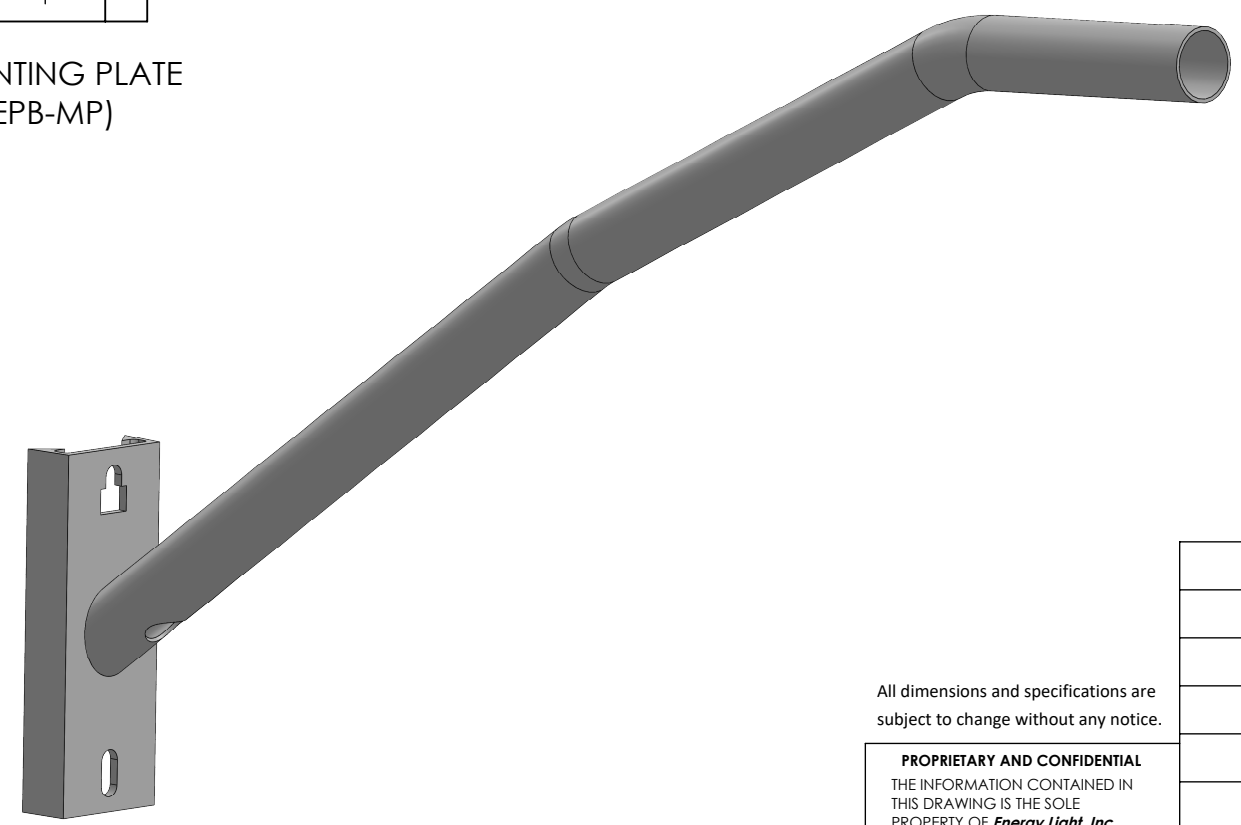
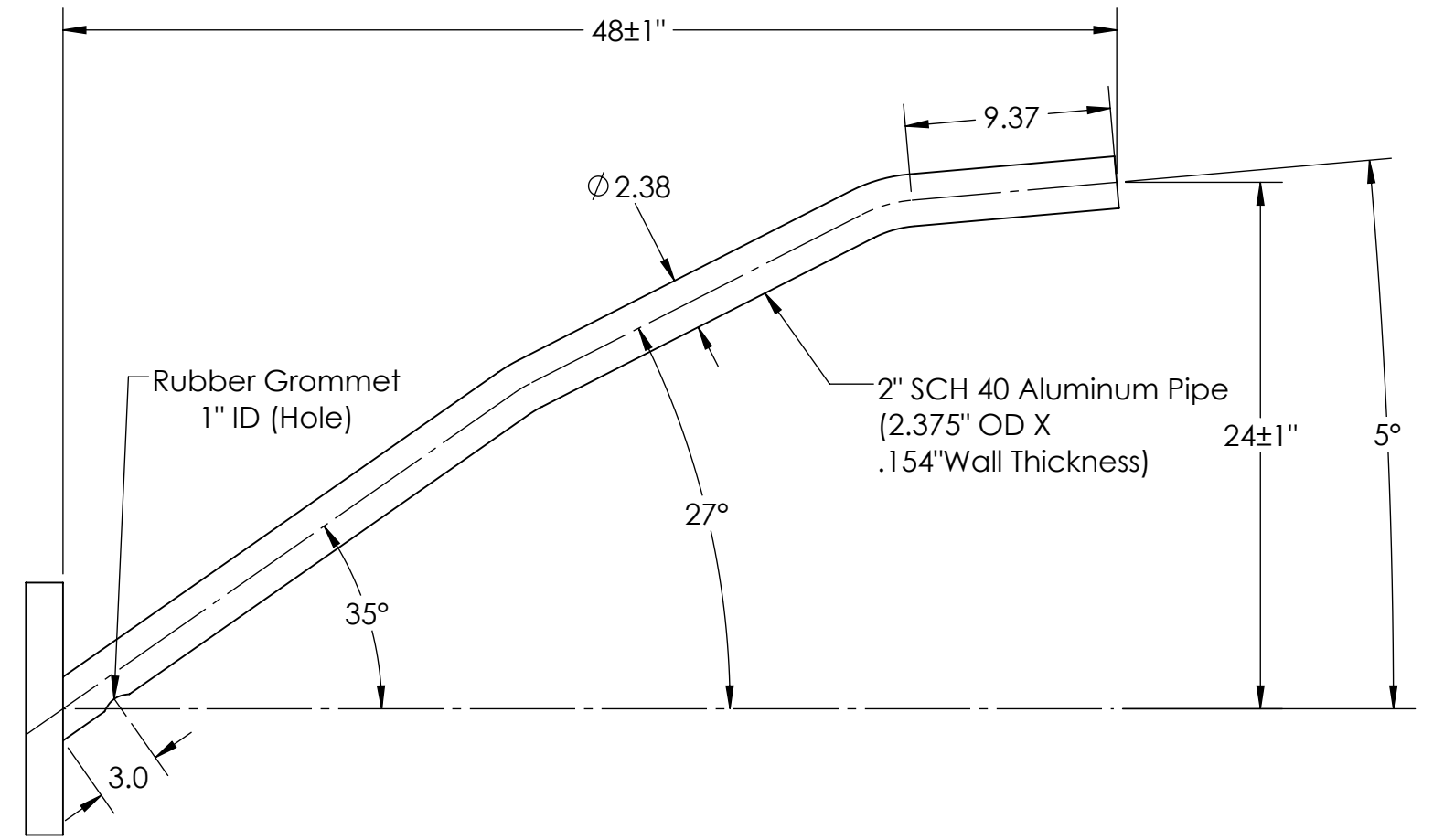
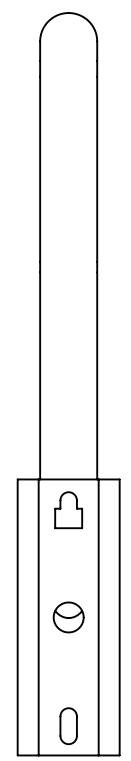
3

2

1




MOUNTING PLATE (EPB-MP)



All dimensions and specifications are subject to change without any notice.

PROPRIETARY AND CONFIDENTIAL
 THE INFORMATION CONTAINED IN THIS DRAWING IS THE SOLE PROPERTY OF **Energy Light, Inc.** ANY REPRODUCTION IN PART OR AS A WHOLE WITHOUT THE WRITTEN PERMISSION OF **Energy Light, Inc.** IS PROHIBITED.

		UNLESS OTHERWISE SPECIFIED:		NAME	DATE	TITLE: 4 Foot Elliptical Bracket for Wood Poles, 2 Inch Diameter Aluminum Pipe			
		DIMENSIONS ARE IN INCHES		DRAWN	MKA			12-27-23	
		TOLERANCES:		ENG APPR.					
		FRACTIONAL: $\pm 1/64$		MFG APPR.					
		ANGULAR: $\pm 0.5^\circ$		Q.A.			SIZE	ITEM NO.	REV
		TWO PLACE DECIMAL ± 0.01		 Energy Light, Inc. 1881 Rose Road Lake Zurich, IL 60047			B	EPB1098	
		THREE PLACE DECIMAL ± 0.005					SCALE: 1:8	WEIGHT: 8 lbs	SHEET 1 OF 3
		INTERPRET GEOMETRIC TOLERANCING PER:							
		MATERIAL							
		Aluminum							
		FINISH							
		Natural Aluminum							
NEXT ASSY		USED ON							
APPLICATION		DO NOT SCALE DRAWING							

4

3

2

1

B

B

A

A