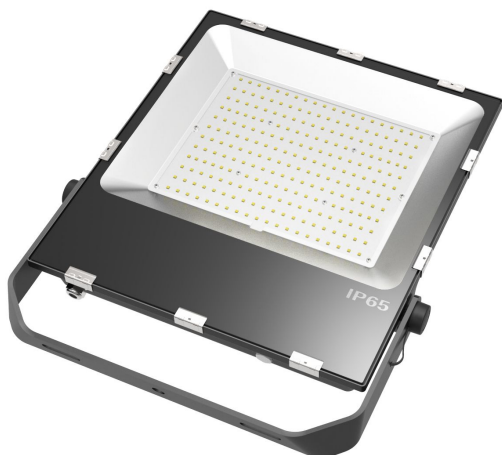
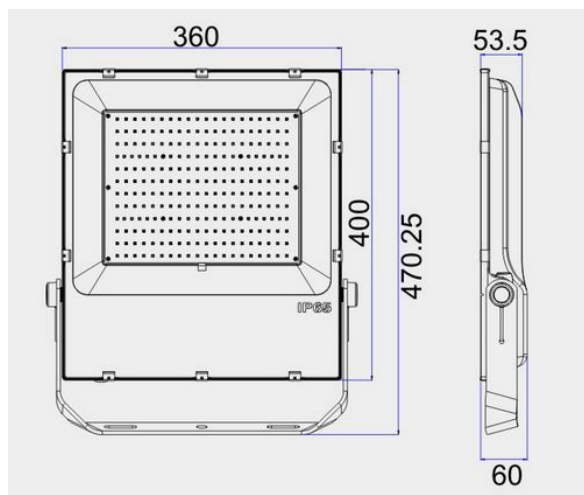


Picture of real products



Dimension (mm)



## ●Features

Item	Parameter range
Power	200W
LED Quantity	Epistar 3030 SMD LED
Color	Warm white/ Neutral white / Cool white
CCT	3000-3500K/4000-4500K/6000-6500K
CRI	≥75
Life-span	≥50,000 Hours
Flux	20,000lm ± 5%
Beam Angle	120°
Material	Aluminum + Toughened glass
Gross Weight	MAX 7.6KG/PC
Inner box Dimension	55.5*46*13.5CM
Outer carton Dimension	55.5*46*13.5CM
Package Spec.	1PC/CTN,9.5KG/CTN

## ●Technical request

item	units	Parameter range
working environment	°C	-37°C - 55°C
Working Humidity		≤95%

storage condition	°C	-40°C~80°C
limited voltage	V	100-277VAC 50/60Hz
Input current	A	0.75-2.10
Protection Level	IP65(Outdoor using)	

### ●Features

Integrated applications of LED light source, the unique circuit control design, reached a high efficiency and energy saving of more than 80%.

Ultra-high brightness, high color-rendering index, is the latest type of outdoor lighting products, long life (≥ 50,000 hours).

### ●Applications

It is mainly used for outdoor flood lighting, building decoration lighting, industrial lighting, advertising lighting, etc., a street lamp light distribution system, and can be used for road lighting.

### ●Attentions

1. Please use the correct power supply.
2. Please read the product installation manual carefully before using the products.