

**NAME: LED Corn Light**

**P/N: EV-SLW-40WB1E26**

Note : The Letter Y in P/N stands for Lamp base type, "-E" for E26 lamp base, "-EX" for EX26 lamp base.

### Advantage

- UL、CUL、DLC certificate
- LG Innotek chip, high CRI.
- E26, EX26 lamp base.
- 360 degree lighting.
- IP64 Waterproof Rating.
- Big heat sink, NO fans.
- Internal driver, input voltage AC100-277V.
- Sealant pouring for whole driver and lamp plastic housing.
- New style and high efficient wide-range input.
- Long lifespan and good heat dissipation.
- Direct replacement for Metal Halide, easy Installation.
- Fits many different fixtures to replace traditional lamps.

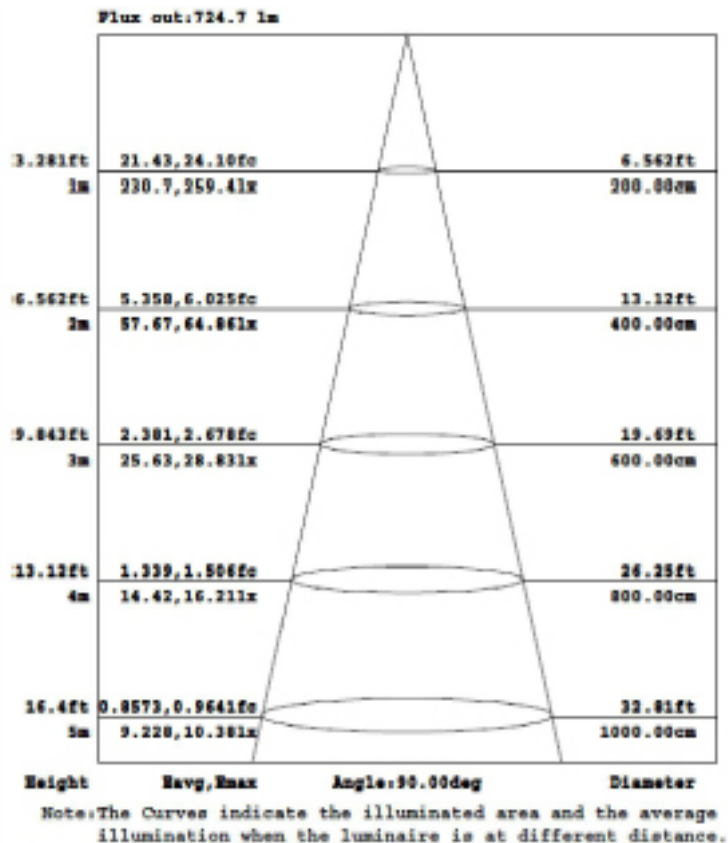
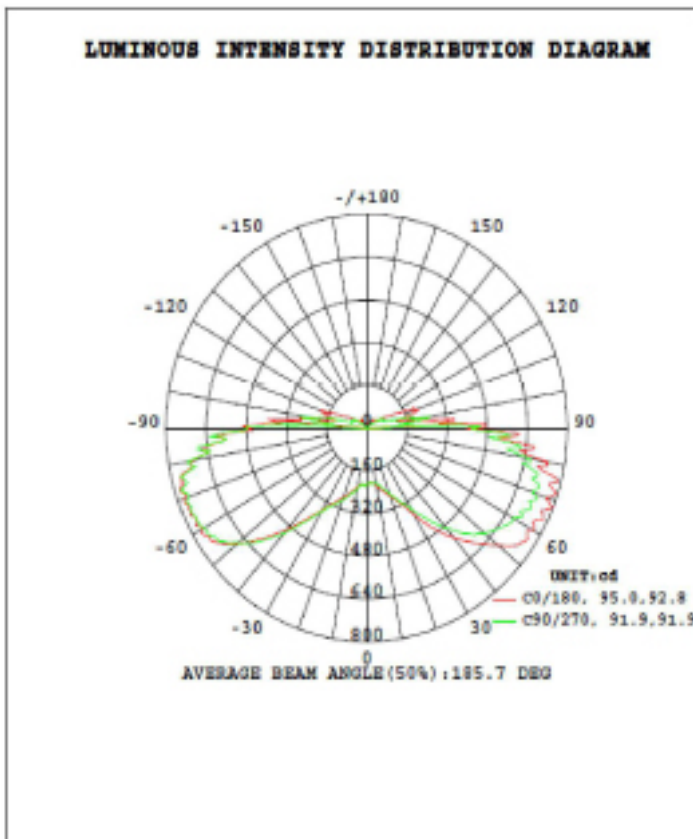
### Application

Replacement Lamps for Outdoor Pole/Arm-mounted Decorative Luminaires (Type B).

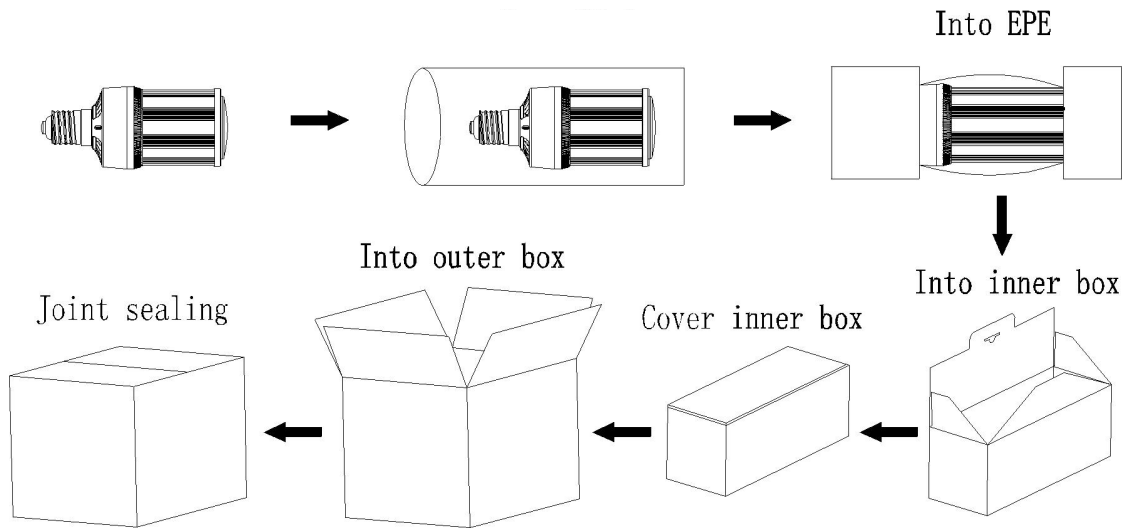
PRODUCT SPECIFICATIONS		
Product name	LED Corn Light	
Light Type	Corn Light	
Part No	EV-SLW-40WB1E26	EV-SLW-40WB1EX26
Lamp Base	E26	EX26
Dimension	Φ95*248 MM	Φ95*251 MM
Technical Characteristic		
Cover	Clear	
Color temperature	4000K、4500K、5000K、5700K	
CRI	> 80	
Lumen-In Luminaires	4350-4600 LM	
Lumen Efficacy-In Luminaires	120-127 LM/W	
Input Power	40 W	
Viewing Angle	360 degree	
Input Voltage	AC100-277V 50/60Hz	
PFC	>0.9	
Equivalent	80W CFL , 150W MHL/HPS/HID	
Waterproof Rating	IP64	
MATERIALS		
LED Brand	LG Innotek	
LED Type	SMD5630	
LED QTY	140 PCS	
Housing	PC+AL	
Housing color	White+Grey	
OTHERS		
Operating Temperature	-20°C TO 45°C	
Operating Humidity	20%-70% RH	
Storage Temperature	-30°C TO 80°C	
Storage Humidity	10%-75% RH	
Application	Indoor/Outdoor	
Safety Certification	UL、CUL	
Warranty Time	5 Years	

Remark: The testing data comes from the product in luminaires.

DATA OF LAMP		PHOTOMETRIC DATA			
MODEL		Imax (cd)	835.7	S/MH (C0/180)	3.18
NOMINAL POWER (W)	40	LOR (%)	100.0	S/MH (C90/270)	3.16
RATED VOLTAGE (V)	277	TOTAL FLUX (lm)	4969	$\eta$ UP, DN (C0-180)	7.1, 42.5
NOMINAL FLUX (lm)	4969	CIE CLASS	SEMI-D.	$\eta$ UP, DN (C180-360)	7.0, 43.3
LAMPS INSIDE	1	$\eta$ up (%)	14.2	CIBSE SHR NOM	2.00
TEST VOLTAGE (V)	277.0	$\eta$ down (%)	85.8	CIBSE SHR MAX	0.00



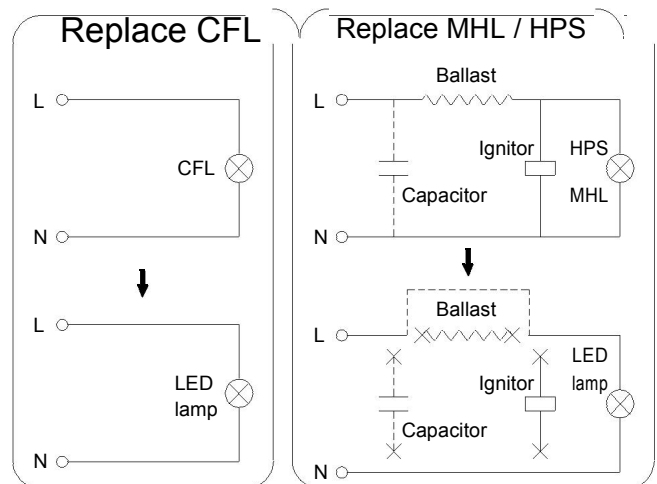
### Package



	Size	Qty/ Carton	Net Weight/ Carton	Gross Weight/ Carton
Inner box	280*120*120 MM	1 PC	0.93 KG	1.06 KG
Outer box	495*380*300 MM	12 PCS	11.2 KG	13.6 KG

### Notice For User

- Please turn off power before install or change assembly parts.
- The input voltage and lamps should be matched, after connecting the power line, please make sure the wiring section is insulated.
- Make sure to remove or bypass the ballast in the fixtures before install the lamps.
- Suitable for damp locations. Do not use with dimmers.
- Suitable for use in enclosed luminaires, min. lamp compartment dimensions: 380\*200\*200MM.
- No-professionals, must not install and disassemble the lamps.



### Contact

Email: [James@jamesindustry.com](mailto:James@jamesindustry.com)

Skype: dgzylighting

Website: [WWW.jamesindustry.com](http://WWW.jamesindustry.com)

MSN: [dgzylighting@hotmail.com](mailto:dgzylighting@hotmail.com)