



LED Parking Lot Lights

DLC Premium 5.1

160lm/W



General Description:

The EXAL Parking Lot Light is a perfect fixture for parking lot poles and a perfect replacement for all shoebox style flood light that widely used everywhere.

Construction:

- Stylish low-profile body that minimizes wind load and retains aesthetic pleasing appearance.
- Corrosion resistant polyester powder coat finish, available in custom colors.
- Independent driver compartment separated from light engine that optimizing driver lifespan.
- Cast aluminum structure that resists high shock and vibration.

Mounting:

- Multiple mounting options are available providing solutions for most outdoor applications like area, roadway, wall mount, flood, building accent and billboard lighting.

Electrical:

- High Power Factor, low THD UL listed driver with 10KV surge protection.
- Universal line voltage input 120-277V, 347/480V optional.
- FCC compliant.
- 0-10V dimmable optional.

Optical:

- IES Type II, Type III, Type IV and Type V distribution patterns.
- Optics are interchangeable and easily replaceable.
- Optional house side shield/visor.
- Full range CCT from 3000K to 5000K, all stock in CA.

Controls:

- NEMA twist lock photocontrol and receptacle.
- Bi-Level occupancy sensor with wireless App control.
- Luminaire wireless interlinking.

Working Temperature:

- Up to 150F thanks to advanced heatsink design.

Warranty:

- 10 years' warranty for complete fixture.

Listings:

ETL
FCC
DLC



Ordering Information:

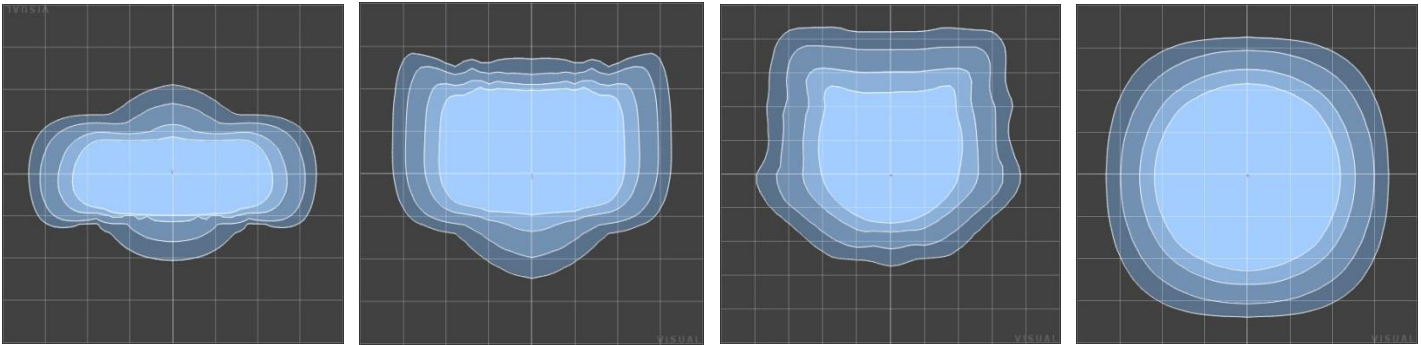
Ordering SKU	Wattage	CCT	Optic	Color	Control	Mounting	Input Voltage
EXAL	50W=50W	50K=5000K	(blank)=Type IV	(blank)=Bronze, Std	(blank)=none, Std	ARM1=Adjustable Arm mount square pole	(blank)=120-277V, Std
Performance Area Light	80W=80W	40K=4000K	T2=Type II	BL=Black	OCC=Bi-Level Occupancy Sensor	ARM2=Adjustable Arm mount round pole	HV=347-480V
	100W=100W	30K=3000K	T3=Type III	WH=White	PCN=NEMA Photocell	SF=Slipfitter	
	120W=120W		T5=Type V	GR=Gray		WM=Wall Mount	
	150W=150W			CC=other Custom Color		TB=Trunnion Bracket	
	200W=200W						
	300W=300W						
	400W=400W						
	500W=500W						

LED Parking Lot Lights

Specs:

Family Model	Wattage	Lumens	lm/W	CCT	CRI
EXAL-50W	50W	8,000lm	160lm/W	3000K-5000K	75+
EXAL-80W	80W	12,000lm	160lm/W	3000K-5000K	75+
EXAL-100W	100W	16,000lm	160lm/W	3000K-5000K	75+
EXAL-120W	120W	19,200lm	160lm/W	3000K-5000K	75+
EXAL-150W	150W	24,000lm	160lm/W	3000K-5000K	75+
EXAL-200W	200W	32,000lm	160lm/W	3000K-5000K	75+
EXAL-300W	300W	48,000lm	160lm/W	3000K-5000K	75+
EXAL-400W	400W	64,000lm	160lm/W	3000K-5000K	75+
EXAL-500W	500W	80,000lm	160lm/W	3000K-5000K	75+

Photometrics:



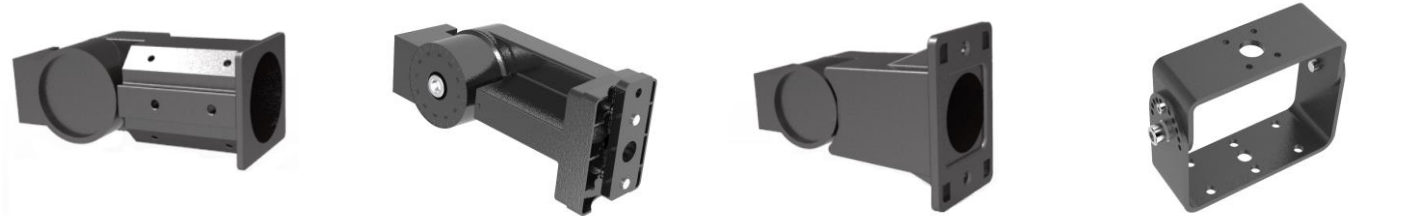
Type II

Type III

Type IV

Type V

Mounting Options: <https://www.ex-lite.com/wp-content/uploads/2022/04/EX-LITE-Area-Light-Mounting-Instruction.pdf>



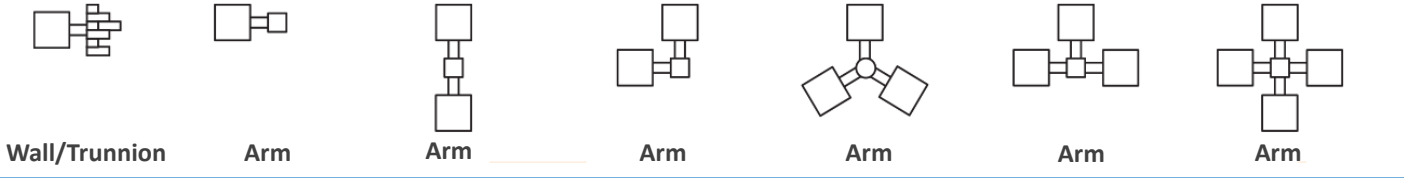
Slip Fitter

Arm Mount w Knuckle

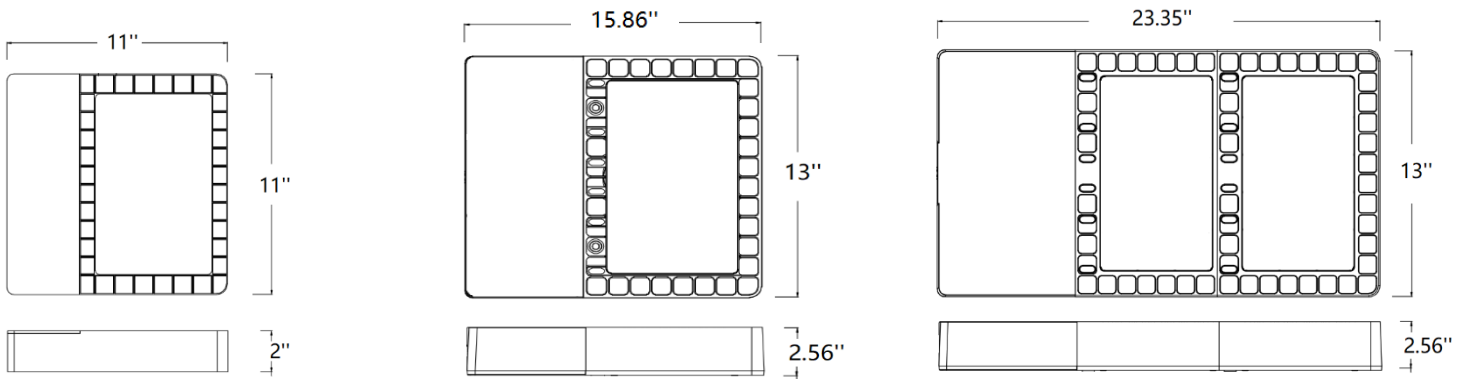
Wall Mount w Knuckle

Trunnion Bracket

MOUNTING CONFIGURATION



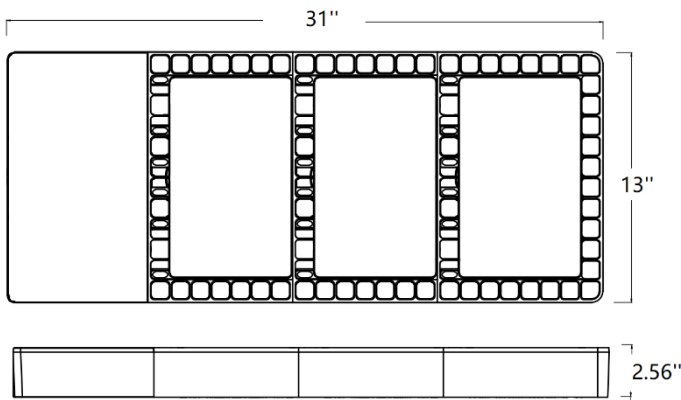
Weights & Dimensions:



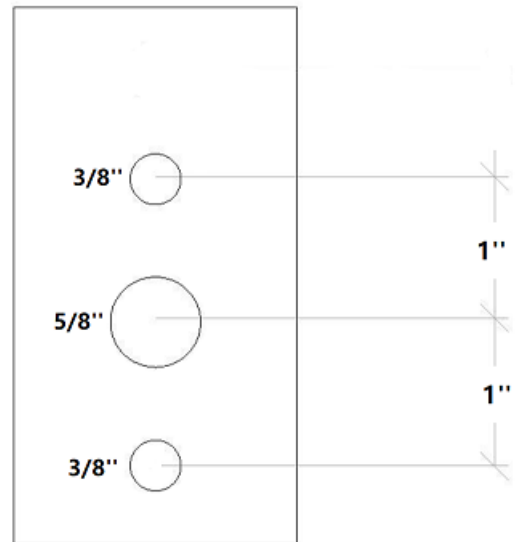
50W/80W/100W (12 lb.)

120W/150W (18 lb.)

300W/400W (25 lb.)



500W (30 lb.)



Drill Template

EPA Rating:

Fixture Package	Single	2@90°	2@180°	3@90°	3@120°	4@90°
50W/80W	0.5	0.8	1	1.4	1.5	1.8
100W/120W/150W	0.7	1	1.4	1.7	1.8	2
200W/300W	0.8	1.2	1.6	1.9	2	2.4
400W/500W	1	1.4	1.8	2.1	2.4	2.6