



Project Name:

Type:

Catalog#:

The LHB Linear LED High Bay represents EX-LITE's best energy saving solution for warehouse lighting. It is an ideal replacement for traditional fluorescent High Bay and with its occupancy sensor it saves even more energy.

Occupancy sensor and emergency backup are both available and factory-installed before shipping when ordered.

Ordering SKU:

SKU	Wattage	CCT	Control	Mounting	Voltage	Cord	Plug
LHB	110W=110W	30K=3000K	(blank)=none, Std	(blank)=Chain, Std	(blank)=120/277VAC, Std	6'	L5-15P
	160W=160W	40K=4000K	EM=Emergency Backup	SM=Surface Mount	HV=480VAC	12'	L7-15P
	210W=210W	50K=5000K	OCC01=On/Off sensor	1/2PM=1/2" Pendant Mount		18'	L8-20P
	300W=300W		OCC02=Bi-Level Sensor	3/4PM=3/4" Pendant Mount		24'	
			WL=Wireless Control				

Specs:

Family Model	Wattage	Lumens	lm/W	CCT	CRI
LHB-110W	110W	14,850lm	135lm/W	5000K	80+
LHB-160W	160W	21,600lm	135lm/W	5000K	80+
LHB-210W	210W	28,350lm	135lm/W	5000K	80+
LHB-300W	300W	40,500lm	135lm/W	5000K	80+

Features & Specs

Construction:

- Lightweight steel structure that resists high shock and vibration.
- High Efficiency LED Board with dual copper cladding for heat dissipation.
- Aesthetic pleasing white finish with glare-free lens.

Mounting:

- Suspension mount with chain or wire.
- Surface mount with mounting kit.

Electrical:

- High Power Factor, low THD UL listed driver with 5KV surge protection.
- Universal line voltage input 120-277V, 347/480V optional.
- 0-10V dimmable.

Optical:

- Glare-free and high transmittance ploy lens NEMA 7x7 wide beam distribution.

Controls Options:

- Bi-Level occupancy sensor.
- On/Off occupancy sensor.
- Emergency Backup.

Warranty:

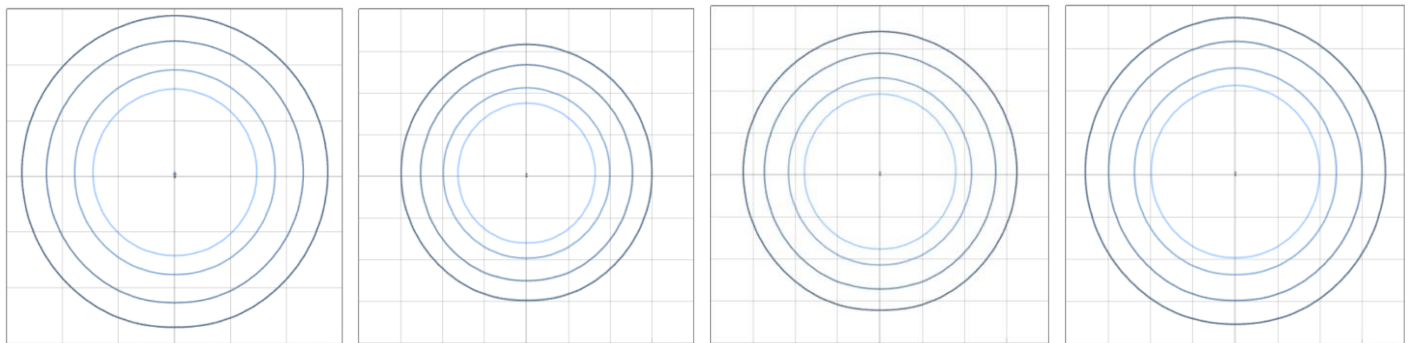
- 5 years warranty for complete fixture.

Listings:

- UL
- DLC Premium
- RoHs
- IP65



Photometrics:

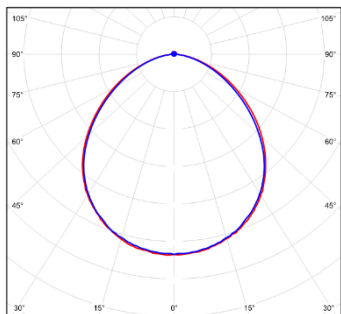


110W@20FT

160W@20FT

210W@20FT

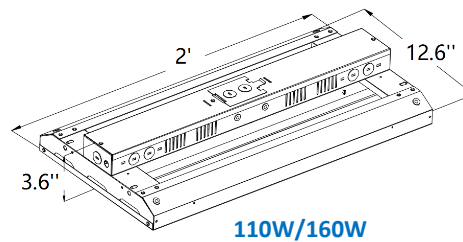
300W@20FT



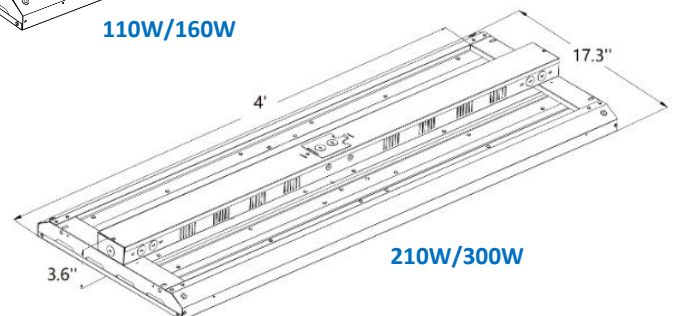
Polar Distribution

0.1 fc
0.2 fc
0.5 fc
1 fc
MH 20

Dimensions:



110W/160W



210W/300W

Day Light & Motion Sensor (Factory-Installed):



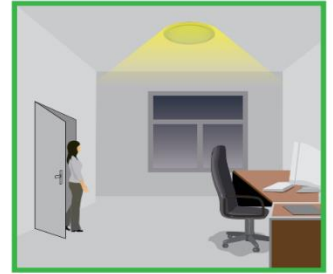
PIR Motion Sensor



Remote Programmer



Daylight harvesting



Occupancy



Low Bay Lens 25'



High Bay Lens 40'



Dim when unoccupied



Switch off after Hold Time

Emergency Version (for all models)

Features:

- Meets safety standards for EM lighting, UL 924.
- Battery protections include over charge protection, over discharge protection & short circuit protection.
- Emergency driver & battery are built inside fixture internally.

Electrical:

- Universal line voltage input 120-277V, 347/480V optional.

Battery:

- Li-ion battery-14.8V/2000mAH, last for 90 minutes.
- Charging time 24 hours.

EM Specifications:

Output Lumens	Output A	Output V	Output Watt	Duration	Capacity
3,000 lm	310-600mA	25-48VDC	15W	90 minutes	14.8V/2000mAH

Operation:

- When AC power goes out, the emergency driver detects the AC power outage and will automatically switch to emergency mode. The green indicator will turn off. Fixture will drop from full brightness to 3,000 lumens.
- When the AC power is restored, the emergency driver will return to AC power working mode and starts re-charging. Green indicator will turn on. Fixture will return to full brightness.

