



General Description:

The EX-LITE STD stadium/sport light fixture is a perfect combination of styling and engineering. It offers 4 different beam angles with high output up to 1200W. Remote driver mounting is available for easy maintenance.

Construction:

- Revelational heatsink design.
- Corrosion resistant polyester powder coat finish, available in custom colors.
- Cast aluminum structure that resists high shock and vibration.
- Integrated cooling fins maximize heat capacity.

Mounting:

- Multiple mounting options with slipfitter, yoke and surface mount.
- Driver can be remote mounted.

Electrical:

- High Power Factor, low THD UL listed driver with 10KV surge protection.
- Universal line voltage input 120-277V, 347/480V optional
- FCC compliant
- 0-10V dimmable optional

Optical:

- Wide range of beam angles available from 15° to 80°
- Full range CCT from 3000K to 5000K

Accessories:

- Laser aiming kit
- Eye lip visor
- Remote driver
- Exterior panelboard for remote driver mounting (optional).

Warranty:

- 5 years' warranty for complete fixture

Listings:

- ETL
- DLC
- RoHs
- IP65



Ordering Information:

SKU	Wattage	CCT	Optic	Color	Mounting	Input Voltage	Accessories
ST-500W	500W=500W	50K=5000K	15D=15 Degrees	(blank)=Bronze, Std	YK=Yoke Mount	(blank)=120-277V, Std	LS=Laser Kit
ST-600W	600W=600W	40K=4000K	30D=30 Degrees	BL=Black	SF=Slipfitter 2 ³ / ₈ "	HV=347-480V	VS=Visor
ST-800W	800W=800W	30K=3000K	45D=45 Degrees	WH=White	SK=Surface & Knuckle		
ST-100W	1000W=1000W		80D=80 Degrees	GR=Gray	SY=Slipfitter & Yoke		
ST-1200W	1200W=1200W						

PROJECT NAME: _____ CATALOG NUMBER: _____

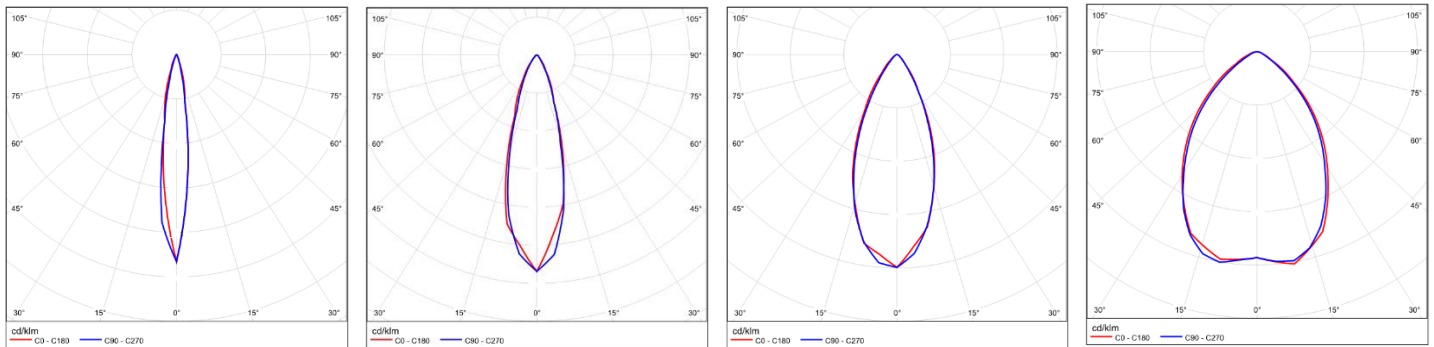
NOTES: _____ FIXTURE TYPE: _____

Stadium / High Mast Lighting

Specs:

DLC Model#	Wattage	Lumens	lm/W	CCT	CRI
BR-FL500W	500W	75,000lm	150lm/W	3000K/4000K/5000K	75+
BR-FL600W	600W	90,000lm	150lm/W	3000K/4000K/5000K	75+
BR-FL800W	800W	120,000lm	150lm/W	3000K/4000K/5000K	75+
BR-FL1000W	1000W	150,000lm	150lm/W	3000K/4000K/5000K	75+
BR-FL1200W	1200W	180,000lm	150lm/W	3000K/4000K/5000K	75+

Photometrics:



15 Degrees

30 Degrees

45 Degrees

80 Degrees

Mounting Options:



Slipfitter



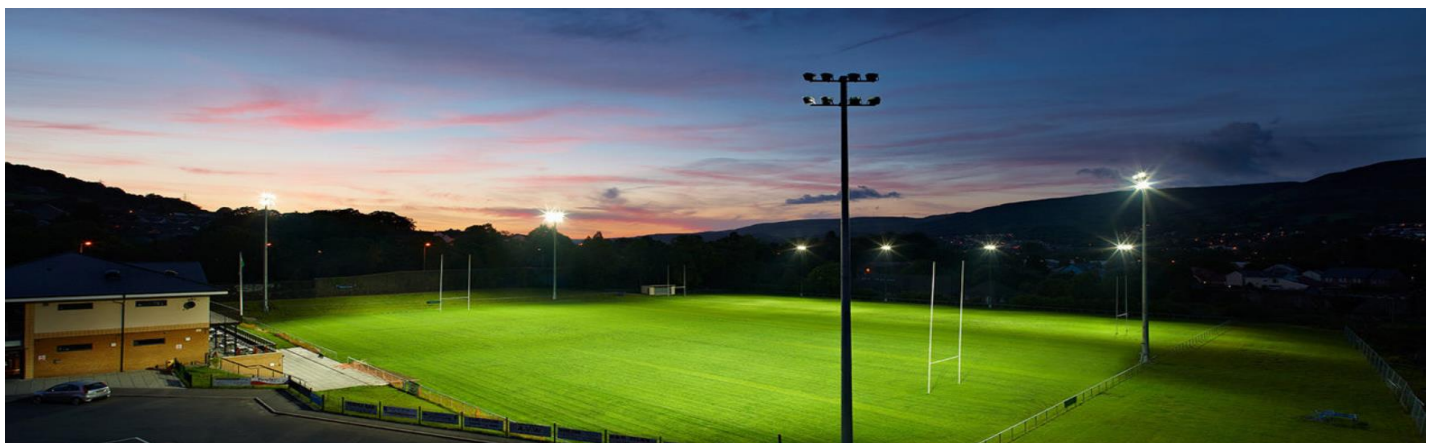
Surface & Knuckle



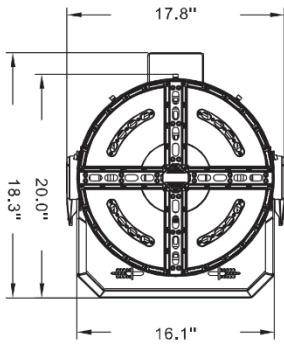
Slipfitter & Yoke



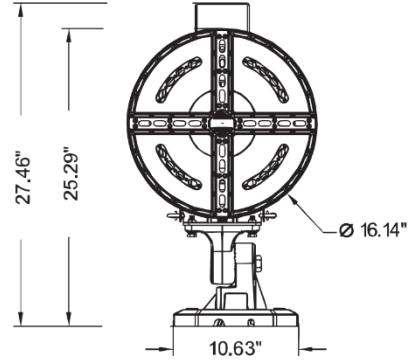
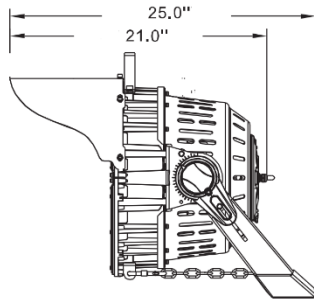
Yoke Mount



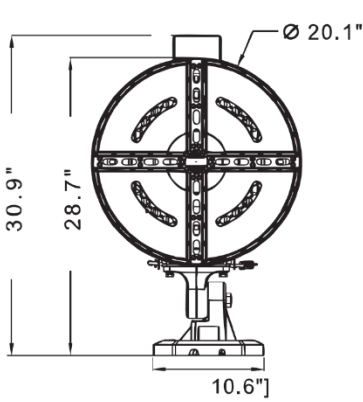
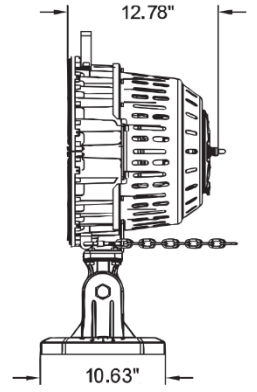
Product Dimensions:



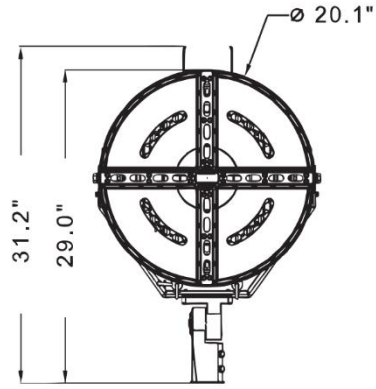
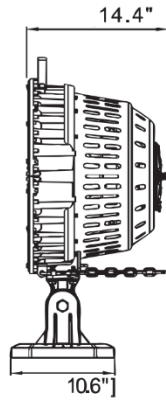
500W/600W, 40lb



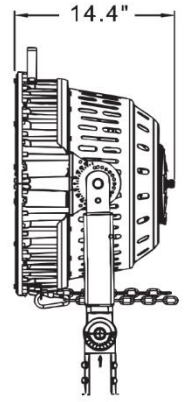
500W/600W, 40lb



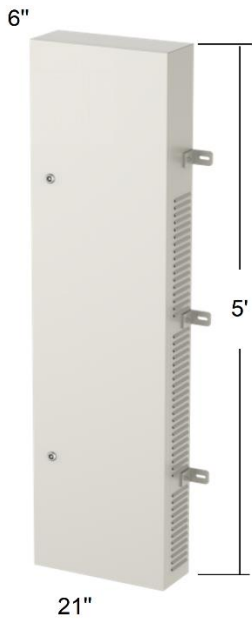
800W/1000W/1200W, 60lb



800W/1000W/1200W, 60lb



Exterior Panelboard for remote driver mounting. Shapes & dimensions:



37.5Amp



150Amp



70Amp