

M G2 SERIES - LED Area Light

The M G2 SERIES - LED Area Light, 170 lm/W, IP67 Wet Location, 0-10V Dimmable, Premium Outdoor Luminaire with Smart Technology.

Premium Features

Lumen Output	17000 to 51000 lumens
Efficacy	170 lm/W
Input Voltage	120-277V or 277-480V
Dimmable	0-10V Continuous
CCT	4000K or 5000K
IP Rating	IP67 Wet Location
Impact Protection	IK10 /20J
Neutral Salt Spray /Fog Rating	Grade 9
Surge Protection	3kV-6.6kV: LN, 5kV-10kV: LN-PE/N-PE
Vibration Rating	3g
Warranty	7 Years

Applications

Premium outdoor luminaire suitable for parking areas, auto dealerships, industrial yards, building exteriors, roadways, alleys, and pedestrian walkways.

Construction

Manufactured for weather-proof durability using solid heavy duty die cast aluminum housing with anti-UV polyester coating to resist water, salt, corrosion, discoloration, and scratching. IP67 Wet Location rated for dust-tight, temporary immersion: IEC 60529. Impact Protection IK10, 20 joules: IEC 62262:2002. NSS, Neutral Salt Spray Rating Grade 9, 0<A≤1%: ASTM B117-2018/ASTM D1654-05. Vibration Acceleration Rating 3g: IEC 6008-2-6:1995.

Electrical

Input voltages 120-277V or 277-480V models with 0-10V Continuous Dimming. Operating temperatures -4°F to 122°F (-20°C to 50°C). Surge Protection Rating 3kV-6.6kV: L-N, 5kV-10kV: L-PE/N-PE: IEC 61000-4-5. Twist-lock cap with Remote Control. Shorting Cap for manual switch or timer control.

Mounting

Adjustable options include Slip-Fit, Round /Square Pole, and Trunnion Mounts.

Optics

Anti-UV Clear Polycarbonate IES / NEMA Type III Lens standard. Type II, Type IV, Type V Lens, and Glare Shield available.

Controls

PIR Photocell, PIR /Microwave Bi-Level Dimming, and Motion Detection programmable twist-lock cap with Remote Control. Shorting Cap for manual switch or timer control.

Listings

UL certified to meet US and Canadian standards. FCC, CE and RoHS compliant. Listed to qualify for energy-efficient LED lighting rebates.

Warranty

7 yr /75K hrs. View at: <https://falkorindustry.com/warranty/>.

Project:
Date:
Catalog No:
Prepared By:

100W Models



150W, 200W Models



240W, 300W Models



Slip-Fit Mount



Trunnion Mount



Square /Round Pole Mount



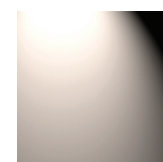
Smart Sensor Cap



Correlated Color Temperatures (CCT)

4000K

5000K



Specifications

Energy Data

Input Voltage: 120-277V, 277-480V

Input Frequency: 50/60 Hz

Wattage: 100W, 150W, 200W, 240W, 300W

Power Factor: >0.9

Total Harmonic Distortion (THD): <15%

Operating Temperature: -4°F to 122°F (-20°C to 50°C)

Lighting Data

Lumens: 17000, 25500, 34000, 40800, 51000

Lumens Per Watt: 170 lm/W

Color Correlated Temperature (CCT): 4000K, 5000K

Dimmable: 0-10V

Color Rendering Index (CRI): >70

L70: 75000 hours

Ordering Information

Model	Wattage	Voltage	Current	Lumens	Efficacy	CCT	Dimming	Color	Dimensions	Weight
ETH-A02-100W-HY-4000K	100W	120-277V	0.83A@120V, 0.36A@277V	17000	170 lm/W	4000K	0-10V	Dark Bronze	13.14"L x 12.40"W x 2.55"H	10.40 lbs
ETH-A02-100W-HY-5000K	100W	120-277V	0.83A@120V, 0.36A@277V	17000	170 lm/W	5000K	0-10V	Dark Bronze	13.14"L x 12.40"W x 2.55"H	10.40 lbs
ETH-A01-100W-HY-HV-4000K	100W	277-480V	0.36A@277V, 0.21A@480V	17000	170 lm/W	4000K	0-10V	Dark Bronze	13.14"L x 12.40"W x 2.55"H	10.40 lbs
ETH-A01-100W-HY-HV-5000K	100W	277-480V	0.36A@277V, 0.21A@480V	17000	170 lm/W	5000K	0-10V	Dark Bronze	13.14"L x 12.40"W x 2.55"H	10.40 lbs
ETH-A04-150W-HY-4000K	150W	120-277V	1.25A@120V, 0.54A@277V	25500	170 lm/W	4000K	0-10V	Dark Bronze	17.91"L x 12.40"W x 2.55"H	11.00 lbs
ETH-A04-150W-HY-5000K	150W	120-277V	1.25A@120V, 0.54A@277V	25500	170 lm/W	5000K	0-10V	Dark Bronze, White	17.91"L x 12.40"W x 2.55"H	11.00 lbs
ETH-A03-150W-HY-HV-4000K	150W	277-480V	0.54A@277V, 0.31A@480V	25500	170 lm/W	4000K	0-10V	Dark Bronze	17.91"L x 12.40"W x 2.55"H	11.00 lbs
ETH-A03-150W-HY-HV-5000K	150W	277-480V	0.54A@277V, 0.31A@480V	25500	170 lm/W	5000K	0-10V	Dark Bronze	17.91"L x 12.40"W x 2.55"H	11.00 lbs
ETH-A05-200W-HY-4000K	200W	120-277V	1.67A@120V, 0.72A@277V	34000	170 lm/W	4000K	0-10V	Dark Bronze	17.91"L x 12.40"W x 2.55"H	14.30 lbs
ETH-A05-200W-HY-5000K	200W	120-277V	1.67A@120V, 0.72A@277V	34000	170 lm/W	5000K	0-10V	Dark Bronze	17.91"L x 12.40"W x 2.55"H	14.30 lbs
ETH-A07-240W-HY-4000K	240W	120-277V	2.00A@120V, 0.87A@277V	40800	170 lm/W	4000K	0-10V	Dark Bronze	22.79"L x 12.40"W x 2.55"H	14.60 lbs
ETH-A07-240W-HY-5000K	240W	120-277V	2.00A@120V, 0.87A@277V	40800	170 lm/W	5000K	0-10V	Dark Bronze	22.79"L x 12.40"W x 2.55"H	14.60 lbs
ETH-A06-240W-HY-HV-4000K	240W	277-480V	0.87A@277V, 0.50A@480V	40800	170 lm/W	4000K	0-10V	Dark Bronze	22.79"L x 12.40"W x 2.55"H	14.60 lbs
ETH-A06-240W-HY-HV-5000K	240W	277-480V	0.87A@277V, 0.50A@480V	40800	170 lm/W	5000K	0-10V	Dark Bronze	22.79"L x 12.40"W x 2.55"H	14.60 lbs
ETH-A09-300W-HY-H-4000K	300W	120-277V	2.50A@120V, 1.08A@277V	51000	170 lm/W	4000K	0-10V	Dark Bronze	22.79"L x 12.40"W x 2.55"H	19.40 lbs
ETH-A09-300W-HY-H-5000K	300W	120-277V	2.50A@120V, 1.08A@277V	51000	170 lm/W	5000K	0-10V	Dark Bronze, White	22.79"L x 12.40"W x 2.55"H	19.40 lbs
ETH-A08-300W-HY-HV-4000K	300W	277-480V	1.08A@277V, 0.63A@480V	51000	170 lm/W	4000K	0-10V	Dark Bronze	22.79"L x 12.40"W x 2.55"H	19.40 lbs
ETH-A08-300W-HY-HV-5000K	300W	277-480V	1.08A@277V, 0.63A@480V	51000	170 lm/W	5000K	0-10V	Dark Bronze	22.79"L x 12.40"W x 2.55"H	19.40 lbs

Optics	Mount	Sensor	Accessory				
T2	Type II Lens	A	Slip-Fit (Adjustable)	ALPCSG2	Photocell Cap Sensor	AGLS	Glare Shield
T3	Type III Lens	B	Square or Round Pole (Adjustable)	ALMSPCSG2	Photocell + PIR /Microwave Dimming Motion Sensor	(Blank)	None
T4	Type IV Lens	C	Square Pole (Adjustable)	SC	Shorting Cap		
T5	Type V Lens	D	Trunnion Mount (Adjustable)				
		E	None				

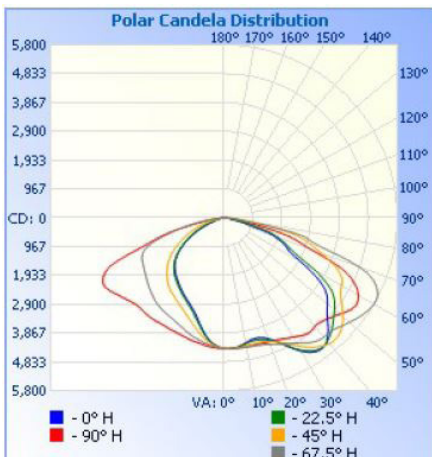


Shipping Information

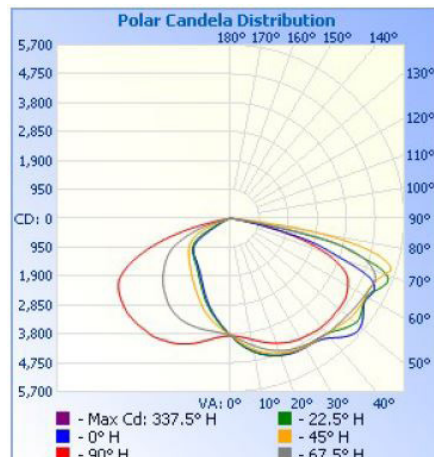
Model Wattage	Mount Type	Unit Weight	Shipping Dimensions	Shipping Weight	Quantity /Box
100W	A - Slip Fit	11.2 lbs	24.6"L x 15.75"W x 5.3"D	13.2 lbs	1
	B - Square or Round Pole	12.3 lbs	24.6"L x 15.75"W x 5.3"D	14.3 lbs	1
	C - Square Pole	10.8 lbs	24.6"L x 15.75"W x 5.3"D	12.8 lbs	1
	D - Trunnion	11.2 lbs	24.6"L x 15.75"W x 5.3"D	13.2 lbs	1
	E - None	10.4 lbs	24.6"L x 15.75"W x 5.3"D	12.3 lbs	1
150W	A - Slip Fit	11.9 lbs	24.6"L x 15.75"W x 5.3"D	13.9 lbs	1
	B - Square or Round Pole	13.0 lbs	24.6"L x 15.75"W x 5.3"D	15.0 lbs	1
	C - Square Pole	11.5 lbs	24.6"L x 15.75"W x 5.3"D	13.4 lbs	1
	D - Trunnion	11.9 lbs	24.6"L x 15.75"W x 5.3"D	15.0 lbs	1
	E - None	11.0 lbs	24.6"L x 15.75"W x 5.3"D	13.0 lbs	1
200W	A - Slip Fit	15.2 lbs	27.1"L x 15.9"W x 5.3"D	17.4 lbs	1
	B - Square or Round Pole	16.3 lbs	27.1"L x 15.9"W x 5.3"D	18.5 lbs	1
	C - Square Pole	14.8 lbs	27.1"L x 15.9"W x 5.3"D	17.0 lbs	1
	D - Trunnion	15.2 lbs	27.1"L x 15.9"W x 5.3"D	17.4 lbs	1
	E - None	14.3 lbs	27.1"L x 15.9"W x 5.3"D	16.5 lbs	1
240W	A - Slip Fit	15.4 lbs	27.1"L x 15.9"W x 5.3"D	17.4 lbs	1
	B - Square or Round Pole	16.5 lbs	27.1"L x 15.9"W x 5.3"D	18.7 lbs	1
	C - Square Pole	15.0 lbs	27.1"L x 15.9"W x 5.3"D	17.2 lbs	1
	D - Trunnion	15.4 lbs	27.1"L x 15.9"W x 5.3"D	17.6 lbs	1
	E - None	14.6 lbs	27.1"L x 15.9"W x 5.3"D	16.8 lbs	1
300W	A - Slip Fit	20.3 lbs	32.0"L x 15.7"W x 5.3"D	22.9 lbs	1
	B - Square or Round Pole	21.2 lbs	32.0"L x 15.7"W x 5.3"D	24.0 lbs	1
	C - Square Pole	19.8 lbs	32.0"L x 15.7"W x 5.3"D	22.5 lbs	1
	D - Trunnion	20.3 lbs	32.0"L x 15.7"W x 5.3"D	22.9 lbs	1
	E - None	19.4 lbs	32.0"L x 15.7"W x 5.3"D	22.0 lbs	1

Photometric Characteristics

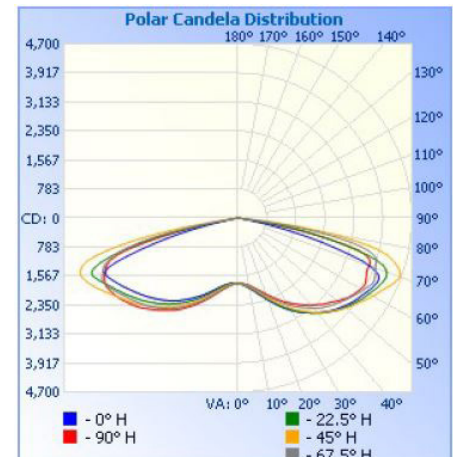
Type III Lens



Type IV Lens



Type V Lens

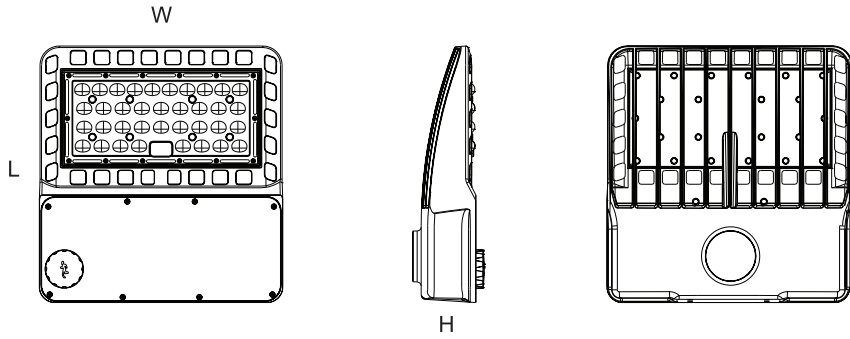


*Example of 100W 5000K

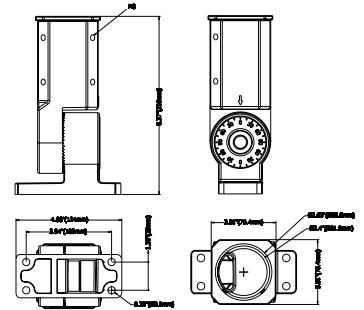
Physical Dimensions

100W Models

13.14"L x 12.40"W x 2.55"H

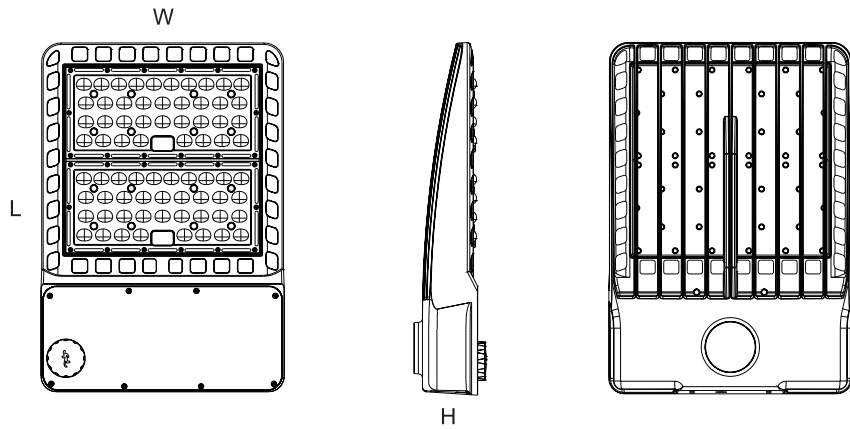


Slip-Fit Mount

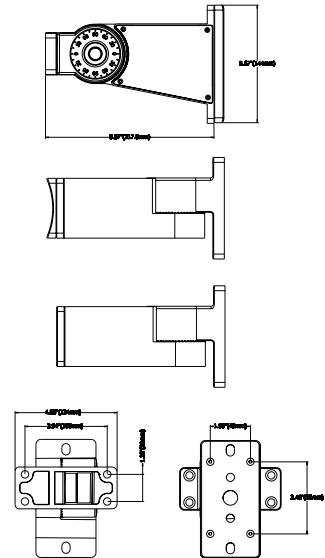


150W and 200W Models

17.91"L x 12.40"W x 2.55"H

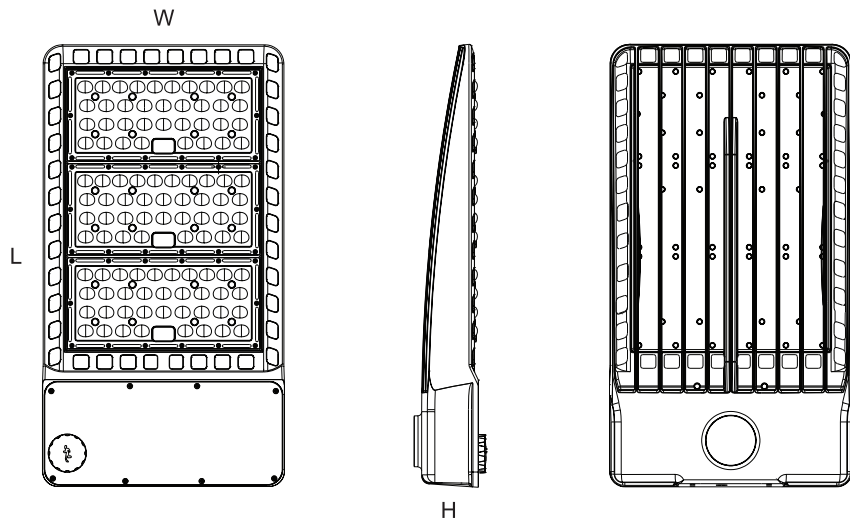


Round /Square Pole Mount

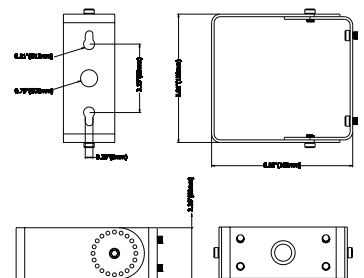


240W and 300W Models

22.79"L x 12.40"W x 2.55"H



Trunnion Mount



Tenon Mounts and Adapters

Project:
Date:
Catalog No:
Prepared By:

Tenon Mounts



4" Round Pole Mount with 2-3/8" O.D. Tenon

Model Number: 4SQR-SP-D

For use with Round, non-tapered poles. Includes three 3/8" hex head stainless-steel bolts. Vertical tenon measures 2-3/8" O.D., and is made of steel tubing. Fixtures can be directly Slip-Fit Mounted to this bracket for vertically and horizontally adjustability.



4" Square Pole Mount with 2-3/8" O.D. Tenon

Model Number: 4SQ-SP-D

For use with Square, non-tapered poles. Includes three 3/8" hex head stainless-steel bolts. Vertical tenon measures 2-3/8" O.D., and is made of steel tubing. Fixtures can be directly Slip-Fit Mounted to this bracket for vertically and horizontally adjustability.



5" Round Pole Mount with 2-3/8" O.D. Tenon

Model Number: 5SQR-SP-D

For use with Round, non-tapered poles. Includes three 3/8" hex head stainless-steel bolts. Vertical tenon measures 2-3/8" O.D., and is made of steel tubing. Fixtures can be directly Slip-Fit Mounted to this bracket for vertically and horizontally adjustability.



5" Square Pole Mount with 2-3/8" O.D. Tenon

Model Number: 5SQ-SP-D

For use with Square, non-tapered poles. Includes three 3/8" hex head stainless-steel bolts. Vertical tenon measures 2-3/8" O.D., and is made of steel tubing. Fixtures can be directly Slip-Fit Mounted to this bracket for vertically and horizontally adjustability.

Tenon Adapters



Tenon & Yoke Adaptor

Model Number: SP-TR-D

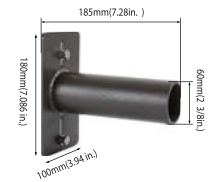
The 2-3/8" O.D. Tenon Mount Adaptor for Yoke Mounting a fixture onto a 2-3/8" O.D. tenon.



Double 180° Horizontal Tenon Adaptor

Model Number: R60-SP2-180-D

The Double 180° Horizontal Tenon Adaptor mounts over a 2-3/8" O.D. vertical tenon. Two fixtures can be Slip-Fit Mounted.



2-3/8" OD Horizontal Tenon Mid-Pole Bracket

Model Number: SQ-SP-D

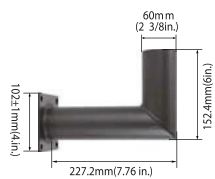
The 2-3/8" O.D. Horizontal Tenon Mid-Pole Bracket for Slip-Fit Mounting a fixture onto a 2-3/8" O.D. horizontal tenon.



Triple 90° Horizontal Tenon Adaptor

Model Number: R60-SP3-90-D

The Triple 90° Horizontal Tenon Adaptor mounts over a 2-3/8" O.D. vertical tenon. Two fixtures can be Slip-Fit Mounted.



90° Wall Mount Bracket with 2-3/8" O.D. Tenon

Model Number: WM-SP-D

The 90° Wall Mount Bracket with 2-3/8" tenon attaches to: walls, roofs, or poles. Provides wiring access and a built-in 2-3/8" O.D. tenon to directly Slip-Fit Mount a fixture. 3/8" diameter bolts suggested for mounting. Mounting holes are spaced 3-1/4" apart.



Triple 120° Horizontal Tenon Adaptor

Model Number: R60-SP3-120-D

The Triple 120° Horizontal Tenon Adaptor mounts over a 2-3/8" O.D. vertical tenon. Two fixtures can be Slip-Fit Mounted.



Double 90° Horizontal Tenon Adaptor

Model Number: R60-SP2-90-D

The Double 90° Horizontal Tenon Adaptor mounts over a 2-3/8" O.D. vertical tenon. Two fixtures can be Slip-Fit Mounted.



Quad 90° Horizontal Tenon Adaptor

Model Number: R60-SP4-90-D

The Quad 90° Horizontal Tenon Adaptor mounts over a 2-3/8" O.D. vertical tenon. Two fixtures can be Slip-Fit Mounted.

Ordering Information

Model	Description	Color
4SQR-SP-D	4" Round Pole Mount with 2-3/8" O.D. Tenon	Dark Bronze
5SQR-SP-D	5" Round Pole Mount with 2-3/8" O.D. Tenon	Dark Bronze
4SQ-SP-D	4" Square Pole Mount with 2-3/8" O.D. Tenon	Dark Bronze
5SQ-SP-D	5" Square Pole Mount with 2-3/8" O.D. Tenon	Dark Bronze
SP-TR-D	Tenon & Yoke Adaptor	Dark Bronze
SQ-SP-D	2-3/8" OD Horizontal Tenon Mid-Pole Bracket	Dark Bronze
WM-SP-D	90° Wall Mount Bracket with 2-3/8" O.D. Tenon	Dark Bronze
R60-SP2-90-D	Double 90° Horizontal Tenon Adaptor	Dark Bronze
R60-SP2180-D	Double 180° Horizontal Tenon Adaptor	Dark Bronze
R60-SP3-90-D	Triple 90° Horizontal Tenon Adaptor	Dark Bronze
R60-SP3-120-D	Triple 120° Horizontal Tenon Adaptor	Dark Bronze
R60-SP3-90-D	Quad 90° Horizontal Tenon Adaptor	Dark Bronze