

PROGEM G3 SERIES - LED Round High Bay

The PROGEM G3 SERIES - LED Round High Bay, 160 lm/W, IP65 Wet Location, 0-10V Dimmable, Premium Indoor Luminaire, Smart Sensor Ready.

Premium Features

Lumen Output	16000 to 38400 lumens
Efficacy	160 lm/W
Input Voltage	120-277V
Dimmable	0-10V Continuous
CCT	4000K or 5000K
IP Rating	IP65 Wet Location
Impact Protection	IK10/20J
Surge Protection	6kV
Warranty	7 Years

Applications

Premium indoor luminaire for hanging or pendant mounting in high ceiling spaces above 25 feet. Suitable for gymnasiums, warehouses, manufacturing, packaging, storage, aisles, and covered decks.

Construction

Manufactured for durability using solid heavy duty die cast aircraft aluminum housing with anti-UV polyester coating to resist water, salt, corrosion, discoloration, and scratching. Resistant to shock and vibration. IP65 Wet Location rated for dust tight, water jets: IEC 60529. Impact Protection IK10, 20 joules: IEC 62262:2002.

Electrical

Input voltage 120-277V with 0-10V Continuous Dimming. Operating temperatures -40°F to 122°F (-40°C to 50°C). Surge Protection Rating 6kV: IEC 61000-4-5.

Mounting

Includes a Ring Mount standard. Optional Yoke Mount for adjustable surface mounting available.

Optics

Anti-UV Clear Polycarbonate Lens standard, or Frosted Polycarbonate Lens available. 60, 90, and 120 Degree Prismatic Polycarbonate Reflectors available.

Controls

Integrated Motion Detection sensor cap with Remote Control.

Listings

UL certified to meet US and Canadian standards. FCC, CE and RoHS compliant. *Pending listings* to qualify for energy-efficient LED lighting rebates.

Warranty

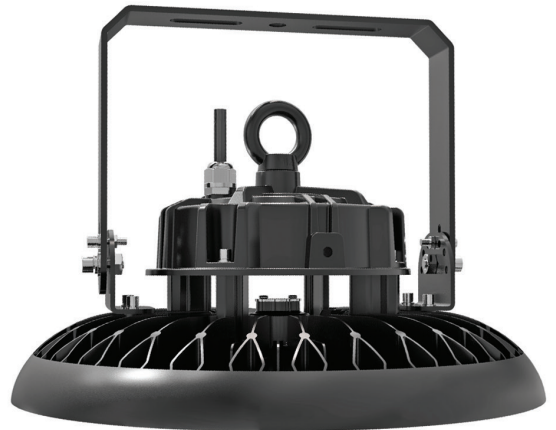
7 yr /75K hrs. View at: <https://falkorindustry.com/warranty/>.

Project:
Date:
Catalog No:
Prepared By:

Shown with Motion Sensor

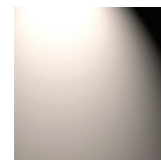


Shown with adjustable Yoke Mount



Correlated Color Temperatures (CCT)

4000K



5000K



Specifications

Energy Data

Input Voltage: 120-277V

Input Frequency: 50/60 Hz

Wattage: 100W, 150W, 200W, 240W

Power Factor: >0.9

Total Harmonic Distortion (THD): <10%

Operating Temperature: -40°F to 122°F (-40°C to 50°C)

Lighting Data

Lumens: 16000, 24000, 32000, 38400

Lumens Per Watt: 160 lm/W

Color Correlated Temperature (CCT): 4000K, 5000K

Dimmable: 0-10V

Color Rendering Index (CRI): >80

L70: 75000 hours

Ordering Information

Model	Wattage	Voltage	Current	Lumens	Efficacy	CCT	Color	Dimensions	Weight
ETH-UFO-100W-G3-4000K	100W	120-277V	0.83A@120V, 0.36A@277V	16000	160 lm/W	4000K	Black	ø11.73"C x 7.99"H	6.17 lbs
ETH-UFO-100W-G3-5000K	100W	120-277V	0.83A@120V, 0.36A@277V	16000	160 lm/W	5000K	Black	ø11.73"C x 7.99"H	6.17 lbs
ETH-UFO-150W-G3-4000K	150W	120-277V	1.25A@120V, 0.54A@277V	24000	160 lm/W	4000K	Black	ø11.73"C x 7.99"H	6.17 lbs
ETH-UFO-150W-G3-5000K	150W	120-277V	1.25A@120V, 0.54A@277V	24000	160 lm/W	5000K	Black	ø11.73"C x 7.99"H	6.17 lbs
ETH-UFO-200W-G3-4000K	200W	120-277V	1.67A@277V, 0.72A@480V	32000	160 lm/W	4000K	Black	ø11.73"C x 7.99"H	6.17 lbs
ETH-UFO-200W-G3-5000K	200W	120-277V	1.67A@277V, 0.72A@480V	32000	160 lm/W	5000K	Black	ø11.73"C x 7.99"H	6.17 lbs
ETH-UFO-240W-G3-4000K	240W	120-277V	2.00A@120V, 0.87A@277V	38400	160 lm/W	4000K	Black	ø14.09"C x 7.99"H	6.61 lbs
ETH-UFO-240W-G3-5000K	240W	120-277V	2.00A@120V, 0.87A@277V	38400	160 lm/W	5000K	Black	ø14.09"C x 7.99"H	6.61 lbs

Optics	Mount	Sensor	Accessory
ETHUFOG3PCR60 Polycarbonate Reflector, 60 Degrees (Prismatic) - 100W, 150W, and 200W	ETHUFOG3YM Yoke Mount (Adjustable) - 100W, 150W, and 200W	ETHUFOMMS12V Daylight, Bi-Level Dimming, and Motion Sensor	ETHUFO Remote Control to Program Sensor
ETHUFOG3PCR90 Polycarbonate Reflector, 90 Degrees (Prismatic) - 100W, 150W, and 200W	ETHUFOG3YML Yoke Mount (Adjustable) - 240W only	(Blank)	(Blank) None
ETHUFOG3PCR120 Polycarbonate Reflector, 120 Degrees (Prismatic) - 100W, 150W, and 200W	(Blank)	None	
ETHUFOPLENSS Frosted Polycarbonate Lens - 100W, 150W, and 200W			
ETHUFOPLENSSL Frosted Polycarbonate Lens - 240W only			
(Blank)	None		

Shipping Information

Model Wattage	Unit Weight	Shipping Dimensions	Shipping Weight	Quantity /Box
100W, 150W, and 200W	6.17 lbs	12.91"L x 12.91"W x 7.87"H	7.50 lbs	1
240W	6.61 lbs	15.28"L x 15.28"W x 7.87"H	9.92 lbs	1

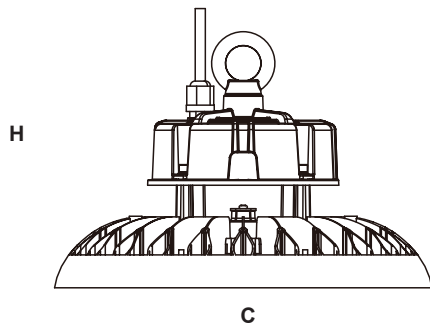


Physical Dimensions

Photometric Characteristics

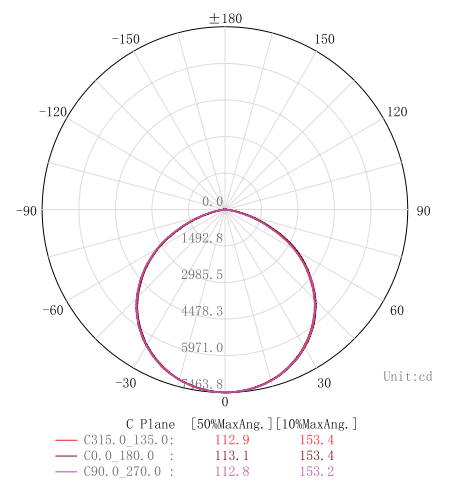
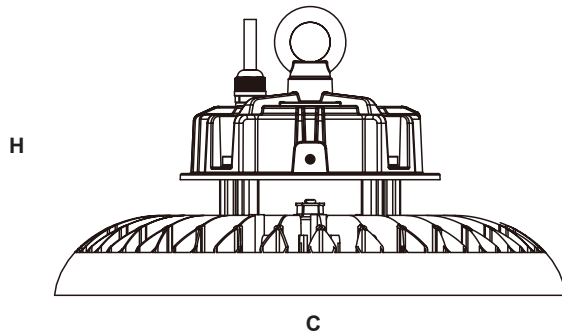
100W, 150W, and 200W Models

∅11.73"C x 6.00"H (Luminaire only)
 ∅11.73"C x 7.99"H (w/ Ring Mount)



240W Models

∅14.09"C x 6.00"H (Luminaire only)
 ∅14.09"C x 7.99"H (w/ Ring Mount)



*Example of 240W