

# MAL06 ELITE SERIES - LED Area Light

The MAL06 ELITE SERIES - LED Area Light, Up to 148 lm/W, IP66 Wet Location, 0-10V Dimmable, Premium Outdoor Luminaire with Smart Technology.

## Premium Features

Lumen Output	14800 to 50350 lumens
Efficacy	Up to 148 lm/W
Input Voltage	120-277V or 347-480V
Dimmable	0-10V Continuous
CCT	4000K or 5000K
IP Rating	IP66 Wet Location
Vibration Rating	3g
Warranty	10 Years

## Applications

Premium outdoor luminaire suitable for parking areas, auto dealerships, industrial yards, building exteriors, roadways, alleys, and pedestrian walkways.

## Construction

Manufactured for weather-proof durability using solid heavy duty die cast aluminum housing with anti-UV polyester coating to resist water, salt, corrosion, discoloration, and scratching. IP66 Wet Location rated for dust-tight, water-jets: IEC 60529. Vibration Acceleration Rating 3g: IEC 6008-2-6:1995.

## Electrical

Input voltages 120-277V or 347-480V models with 1-10V Continuous Dimming. Operating temperatures -40°F to 113°F (-40°C to 45°C). Twist-lock top photocell sensor. Shorting Cap for manual switch or timer control.

## Mounting

Adjustable options include Slip-Fit Mount, Round /Square Pole Mount, Trunnion Mount, and Straight-Arm Wall Mount.

## Optics

Anti-UV Clear Polycarbonate IES / NEMA Type III Lens standard. Type IV and Type V Lens available.

## Controls

PIR Photocell Twist-Lock Top, integrated Microwave Bi-Level Dimming and Motion Detection sensor with Remote Control. Shorting Cap for manual switch or timer control.

## Listings

UL certified to meet US and Canadian standards. FCC, CE and RoHS compliant. Listed to qualify for energy-efficient LED lighting rebates.

## Warranty

10 yr /100K hrs. View at: <https://falkorindustry.com/warranty/>.

Project:
Date:
Catalog No:
Prepared By:

100W, 150W, and 200W Models with Photocell and Dimming Sensors



250W, 300W, and 350W Models with Photocell and Dimming Sensors



Slip-Fit Mount



Trunnion Mount



Square /Round Pole Mount



Wall Mount



Twist-Lock Photocell



Dimming and Motion Sensor



## Correlated Color Temperatures (CCT)

4000K



5000K



## Specifications

### Energy Data

**Input Voltage:** 120-277V, 347-480V

**Input Frequency:** 50/60 Hz

**Wattage:** 100W, 150W, 200W, 250W, 300W, 350W

**Power Factor:** >0.9

**Total Harmonic Distortion (THD):** <20%

**Operating Temperature:** -40°F to 113°F (-40°C to 45°C)

### Lighting Data

**Lumens:** 14800, 22000, 28000, 36250, 44000, 50350

**Lumens Per Watt:** Up to 148 lm/W

**Color Correlated Temperature (CCT):** 4000K, 5000K

**Dimmable:** 1-10V

**Color Rendering Index (CRI):** >70

**L70:** 100000 hours

## Ordering Information

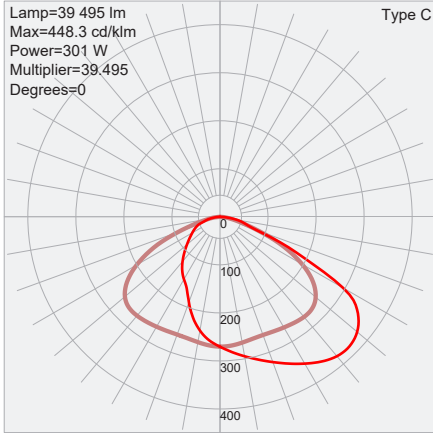
Model	Wattage	Voltage	Current	Lumens	Efficacy	CCT	Dimming	Color	Dimensions
MAL06 100W 4000K	100W	120-277V	0.83@120V, 0.36A@277V	14800	148 lm/W	4000K	1-10V	Dark Bronze, White, or Silver Gray	15.79"L x 12.99"W x 3.15"H
MAL06 100W 5000K	100W	120-277V	0.83@120V, 0.36A@277V	14800	148 lm/W	5000K	1-10V	Dark Bronze, White, or Silver Gray	15.79"L x 12.99"W x 3.15"H
MAL06 100W [480V] 4000K	100W	347-480V	0.29A@347V, 0.21A@480V	14800	148 lm/W	4000K	1-10V	Dark Bronze	15.79"L x 12.99"W x 3.15"H
MAL06 100W [480V] 5000K	100W	347-480V	0.29A@347V, 0.21A@480V	14800	148 lm/W	5000K	1-10V	Dark Bronze	15.79"L x 12.99"W x 3.15"H
MAL06 150W 4000K	150W	120-277V	1.25A@120V, 0.54A@277V	22000	147 lm/W	4000K	1-10V	Dark Bronze, White, or Silver Gray	15.79"L x 12.99"W x 3.15"H
MAL06 150W 5000K	150W	120-277V	1.25A@120V, 0.54A@277V	22000	147 lm/W	5000K	1-10V	Dark Bronze, White, or Silver Gray	15.79"L x 12.99"W x 3.15"H
MAL06 150W [480V] 4000K	150W	347-480V	0.43A@347V, 0.31A@480V	22000	147 lm/W	4000K	1-10V	Dark Bronze	15.79"L x 12.99"W x 3.15"H
MAL06 150W [480V] 5000K	150W	347-480V	0.43A@347V, 0.31A@480V	22000	147 lm/W	5000K	1-10V	Dark Bronze	15.79"L x 12.99"W x 3.15"H
MAL06 200W 4000K	200W	120-277V	1.67A@120V, 0.72A@277V	28000	140 lm/W	4000K	1-10V	Dark Bronze, White, or Silver Gray	15.79"L x 12.99"W x 3.15"H
MAL06 200W 5000K	200W	120-277V	1.67A@120V, 0.72A@277V	28000	140 lm/W	5000K	1-10V	Dark Bronze, White, or Silver Gray	15.79"L x 12.99"W x 3.15"H
MAL06 200W [480V] 4000K	200W	347-480V	0.58A@347V, 0.42A@480V	28000	140 lm/W	4000K	1-10V	Dark Bronze	15.79"L x 12.99"W x 3.15"H
MAL06 200W [480V] 5000K	200W	347-480V	0.58A@347V, 0.42A@480V	28000	140 lm/W	5000K	1-10V	Dark Bronze	15.79"L x 12.99"W x 3.15"H
MAL06 250W 4000K	250W	120-277V	2.08A@120V, 0.90A@277V	36250	145 lm/W	4000K	1-10V	Dark Bronze	25.04"L x 13.39"W x 3.15"H
MAL06 250W 5000K	250W	120-277V	2.08A@120V, 0.90A@277V	36250	145 lm/W	5000K	1-10V	Dark Bronze	25.04"L x 13.39"W x 3.15"H
MAL06 250W [480V] 4000K	250W	347-480V	0.72A@347V, 0.52A@480V	36250	145 lm/W	4000K	1-10V	Dark Bronze	25.04"L x 13.39"W x 3.15"H
MAL06 250W [480V] 5000K	250W	347-480V	0.72A@347V, 0.52A@480V	36250	145 lm/W	5000K	1-10V	Dark Bronze	25.04"L x 13.39"W x 3.15"H
MAL06 300W 4000K	300W	120-277V	2.50A@120V, 1.08A@277V	44000	147 lm/W	4000K	1-10V	Dark Bronze, White, or Silver Gray	25.04"L x 13.39"W x 3.15"H
MAL06 300W 5000K	300W	120-277V	2.50A@120V, 1.08A@277V	44000	147 lm/W	5000K	1-10V	Dark Bronze, White, or Silver Gray	25.04"L x 13.39"W x 3.15"H
MAL06 300W [480V] 4000K	300W	347-480V	0.86A@347V, 0.63A@480V	44000	147 lm/W	4000K	1-10V	Dark Bronze	25.04"L x 13.39"W x 3.15"H
MAL06 300W [480V] 5000K	300W	347-480V	0.86A@347V, 0.63A@480V	44000	147 lm/W	5000K	1-10V	Dark Bronze	25.04"L x 13.39"W x 3.15"H
MAL06 350W 4000K	350W	120-277V	2.92A@120V, 1.26A@277V	50350	144 lm/W	4000K	1-10V	Dark Bronze	25.04"L x 13.39"W x 3.15"H
MAL06 350W 5000K	350W	120-277V	2.92A@120V, 1.26A@277V	50350	144 lm/W	5000K	1-10V	Dark Bronze	25.04"L x 13.39"W x 3.15"H
MAL06 350W [480V] 5000K	350W	347-480V	1.01A@347V, 0.73A@480V	50350	144 lm/W	5000K	1-10V	Dark Bronze	25.04"L x 13.39"W x 3.15"H

Optics	Mount	Sensor	Accessory				
(Blank)	Type 3 Lens, Light Distribution Lens (Standard)	Slip-Fit	Slip-Fit (Adjustable)	Photocell	Twist Lock Photocell Sensor + Receptacle	RC100 Remote	Remote Control to Program Sensor
Type IV Lens	Type 4, Light Distribution Lens	Pole	Square or Round Pole (Adjustable)	BR1823	Installed PIR Bi-Level Dimming with Photocell	(Blank)	None
Type V Lens	Type 5, Light Distribution Lens	Trunnion	Trunnion Mount (Adjustable)	(Blank)	No Sensor, Shorting Cap		
		Wall	Straight Arm Wall Mount				
		(Blank)	None				

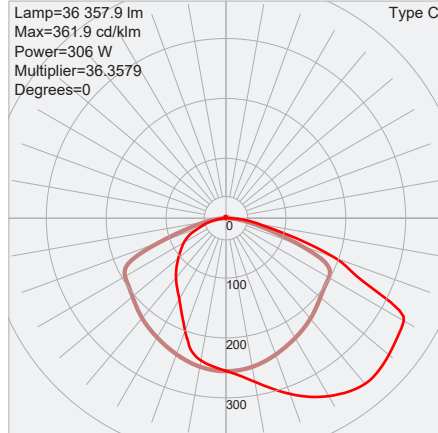


# Photometric Characteristics

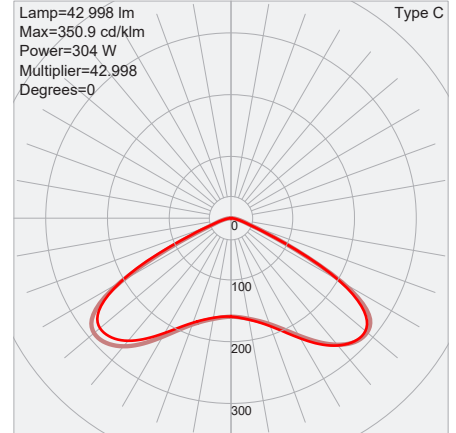
## Type III Lens



## Type IV Lens



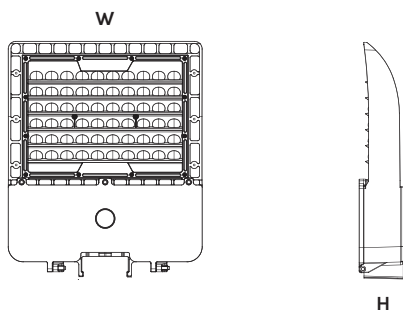
## Type V Lens



# Physical Dimensions

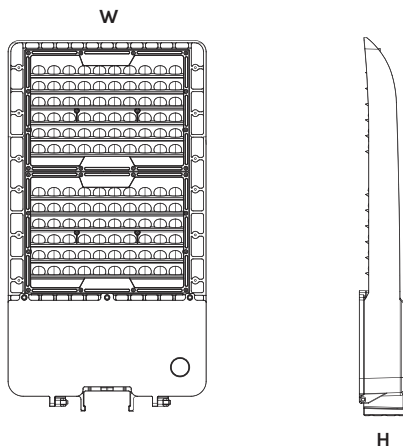
## 100W, 150W and 200W Models

15.79"L x 12.99"W x 3.15"H



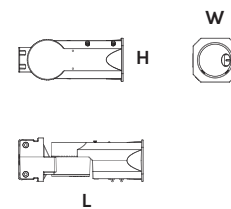
## 250W, 300W, and 350W Models

25.04"L x 13.39"W x 3.15"H



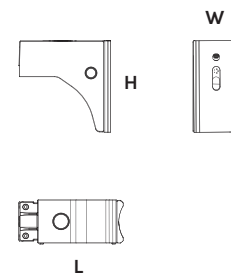
## Slip-Fit Mount

8.47"L x 3.35"W x 3.35"H



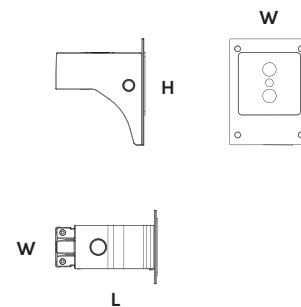
## Round /Square Pole Mount

6.95"L x 3.55"W x 6.97"H



## Wall Mount

Mount: 6.60"L x 3.55"W x 6.97"H  
Wall Plate: 5.97"W x 8.00"H



## Tenon Mounts and Adapters

Project:
Date:
Catalog No:
Prepared By:

### Tenon Mounts



#### 4" Round Pole Mount with 2-3/8" O.D. Tenon

**Model Number: 4SQR-SP-D**

For use with Round, non-tapered poles. Includes three 3/8" hex head stainless-steel bolts. Vertical tenon measures 2-3/8" O.D., and is made of steel tubing. Fixtures can be directly Slip-Fit Mounted to this bracket for vertically and horizontally adjustability.



#### 5" Round Pole Mount with 2-3/8" O.D. Tenon

**Model Number: 5SQR-SP-D**

For use with Round, non-tapered poles. Includes three 3/8" hex head stainless-steel bolts. Vertical tenon measures 2-3/8" O.D., and is made of steel tubing. Fixtures can be directly Slip-Fit Mounted to this bracket for vertically and horizontally adjustability.



#### 4" Square Pole Mount with 2-3/8" O.D. Tenon

**Model Number: 4SQ-SP-D**

For use with Square, non-tapered poles. Includes three 3/8" hex head stainless-steel bolts. Vertical tenon measures 2-3/8" O.D., and is made of steel tubing. Fixtures can be directly Slip-Fit Mounted to this bracket for vertically and horizontally adjustability.



#### 5" Square Pole Mount with 2-3/8" O.D. Tenon

**Model Number: 5SQ-SP-D**

For use with Square, non-tapered poles. Includes three 3/8" hex head stainless-steel bolts. Vertical tenon measures 2-3/8" O.D., and is made of steel tubing. Fixtures can be directly Slip-Fit Mounted to this bracket for vertically and horizontally adjustability.

### Tenon Adapters



#### Tenon & Yoke Adaptor

**Model Number: SP-TR-D**

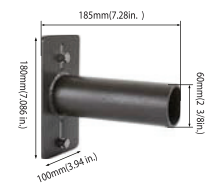
The 2-3/8" O.D. Tenon Mount Adaptor for Yoke Mounting a fixture onto a 2-3/8" O.D. tenon.



#### Double 180° Horizontal Tenon Adaptor

**Model Number: R60-SP2-180-D**

The Double 180° Horizontal Tenon Adaptor mounts over a 2-3/8" O.D. vertical tenon. Two fixtures can be Slip-Fit Mounted.



#### 2-3/8" OD Horizontal Tenon Mid-Pole Bracket

**Model Number: SQ-SP-D**

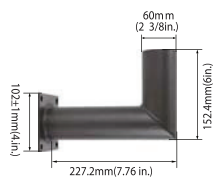
The 2-3/8" O.D. Horizontal Tenon Mid-Pole Bracket for Slip-Fit Mounting a fixture onto a 2-3/8" O.D. horizontal tenon.



#### Triple 90° Horizontal Tenon Adaptor

**Model Number: R60-SP3-90-D**

The Triple 90° Horizontal Tenon Adaptor mounts over a 2-3/8" O.D. vertical tenon. Two fixtures can be Slip-Fit Mounted.



#### 90° Wall Mount Bracket with 2-3/8" O.D. Tenon

**Model Number: WM-SP-D**

The 90° Wall Mount Bracket with 2-3/8" tenon attaches to: walls, roofs, or poles. Provides wiring access and a built-in 2-3/8" O.D. tenon to directly Slip-Fit Mount a fixture. 3/8" diameter bolts suggested for mounting. Mounting holes are spaced 3-1/4" apart.



#### Triple 120° Horizontal Tenon Adaptor

**Model Number: R60-SP3-120-D**

The Triple 120° Horizontal Tenon Adaptor mounts over a 2-3/8" O.D. vertical tenon. Two fixtures can be Slip-Fit Mounted.



#### Double 90° Horizontal Tenon Adaptor

**Model Number: R60-SP2-90-D**

The Double 90° Horizontal Tenon Adaptor mounts over a 2-3/8" O.D. vertical tenon. Two fixtures can be Slip-Fit Mounted.



#### Quad 90° Horizontal Tenon Adaptor

**Model Number: R60-SP4-90-D**

The Quad 90° Horizontal Tenon Adaptor mounts over a 2-3/8" O.D. vertical tenon. Two fixtures can be Slip-Fit Mounted.

## Ordering Information

Model	Description	Color
4SQR-SP-D	4" Round Pole Mount with 2-3/8" O.D. Tenon	Dark Bronze
5SQR-SP-D	5" Round Pole Mount with 2-3/8" O.D. Tenon	Dark Bronze
4SQ-SP-D	4" Square Pole Mount with 2-3/8" O.D. Tenon	Dark Bronze
5SQ-SP-D	5" Square Pole Mount with 2-3/8" O.D. Tenon	Dark Bronze
SP-TR-D	Tenon & Yoke Adaptor	Dark Bronze
SQ-SP-D	2-3/8" OD Horizontal Tenon Mid-Pole Bracket	Dark Bronze
WM-SP-D	90° Wall Mount Bracket with 2-3/8" O.D. Tenon	Dark Bronze
R60-SP2-90-D	Double 90° Horizontal Tenon Adaptor	Dark Bronze
R60-SP2180-D	Double 180° Horizontal Tenon Adaptor	Dark Bronze
R60-SP3-90-D	Triple 90° Horizontal Tenon Adaptor	Dark Bronze
R60-SP3-120-D	Triple 120° Horizontal Tenon Adaptor	Dark Bronze
R60-SP3-90-D	Quad 90° Horizontal Tenon Adaptor	Dark Bronze