

WSD SERIES - LED Slim Gas Station Canopy Light

The WSD SERIES - LED Slim Gas Station Canopy Light, Up to 145 lm/W, Wet Location, 1-10V Dimmable, Premium Outdoor Luminaire, Smart Sensor Ready.

Premium Features

Lumen Output	11875 to 29000 lumens
Efficacy	Up to 145 lm/W
Input Voltage	120-277V
Dimmable	1-10V Continuous
CCT	5000K
Rating	Wet Location
Warranty	5 Years

Applications

Premium outdoor luminaire for surface mounting in ceiling spaces. Suitable for gas station canopies, parking garages, and high ceiling indoor showrooms.

Construction

Manufactured for weather-proof durability using solid heavy duty die cast aluminum housing with anti-UV polyester coating to resist water, salt, corrosion, discoloration, and scratching. Wet Location rated.

Electrical

Input voltages 120-277V with 1-10V Continuous Dimming. Operating temperatures -22°F to 113°F (-30°C to 45°C).

Mounting

Surface mounted installation.

Optics

Anti-UV Clear Tempered Glass Lens.

Controls

Fixture integrated Microwave Bi-Level Dimming Sensor with Photocell and Remote Controller available.

Listings

UL certified to meet US and Canadian standards. FCC, and RoHS compliant. Listed to qualify for energy-efficient LED lighting rebates.

Warranty

5 yr /50K hrs. View at: <https://falkorindustry.com/warranty/>.

Project:
Date:
Catalog No:
Prepared By:

150W and 200W Models



95W and 120W Models



Correlated Color Temperatures (CCT)

5000K



Specifications

Energy Data

Input Voltage: 120-277V

Input Frequency: 50/60 Hz

Wattage: 95W, 120W, 150W, 200W

Power Factor: >0.95

Operating Temperature: -22°F to 113°F (-30°C to 45°C)

Lighting Data

Lumens: 11875, 16200, 21750, 29000

Lumens Per Watt: Up to 145 lm/W

Color Correlated Temperature (CCT): 5000K

Dimmable: 1-10V Models

Color Rendering Index (CRI): >70

L70: >50000 hours

Ordering Information

Model	Wattage	Voltage	Current	Lumens	Efficacy	CCT	Dimming	Color	Dimensions
WSD-CP95W	95W	120-277V	0.17A@120V, 0.07A@277V	11875	125 lm/W	5000K	1-10V	White	16.53"L x 16.53"W x 1.66"H (8.75"H w/ Driver)
WSD-CP12W	120W	120-277V	0.17A@120V, 0.07A@277V	16200	135 lm/W	5000K	1-10V	White	16.53"L x 16.53"W x 1.66"H (8.75"H w/ Driver)
WSD-CP15W	150W	120-277V	0.23A@120V, 0.10A@277V	21750	145 lm/W	5000K	1-10V	White	18.00"L x 18.00"W x 2.00"H (9.00"H w/ Driver)
WSD-CP20W	200W	120-277V	0.23A@120V, 0.10A@277V	29000	145 lm/W	5000K	1-10V	White	18.00"L x 18.00"W x 2.00"H (9.00"H w/ Driver)

Sensor	Accessory
BRI810-B-M8 Sensor	RC-100 Remote
INSTALLED - Microwave Bi-Level Dimming Sensor with Photocell	Remote Control to Program Sensor
(Blank)	(Blank)
None	None

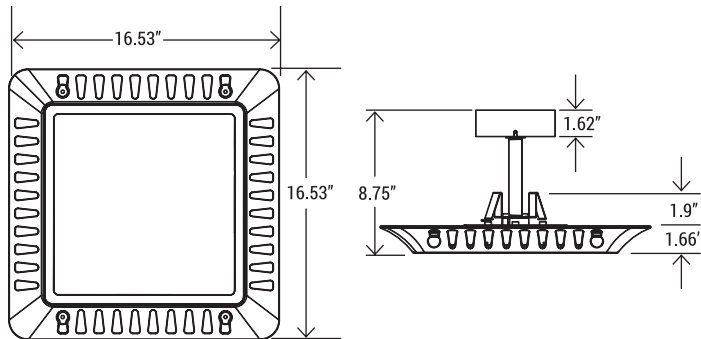
Shipping Information

Model Size	Shipping Dimensions	Shipping Weight	Quantity /Box
95W, 120W	21.00"L x 21.00"W x 5.12"H	9.87 lbs	1
150W, 200W	20.07"L x 20.07"W x 5.50"H	13.45 lbs	1

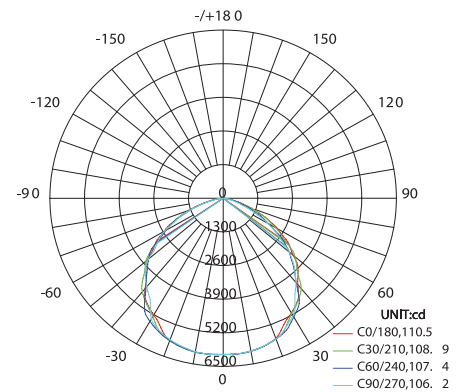
Physical Dimensions

95W and 120W Models

16.53"L x 16.53"W x 1.66"H (8.75"H w/ Driver)



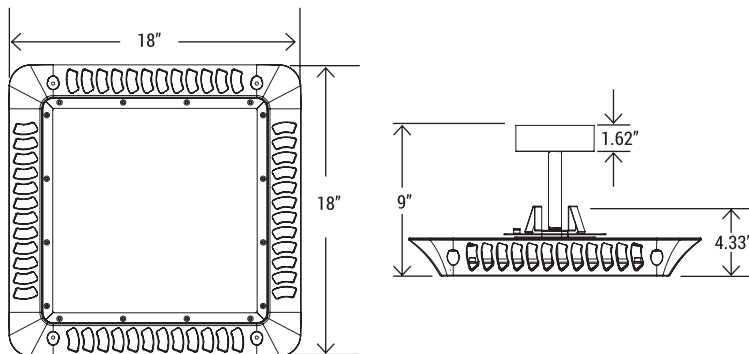
Photometric Characteristics



AVERAGE BEAM ANGLE(50%):108.2 DEG

150W and 200W Models

18.00"L x 18.00"W x 2.00"H (9.00"H w/ Driver)



*Example of 120W 5000K

