



FL-SH1

## FLD2-15CW-KN FLD2-15WW-KN

### LED BULLET FLOOD LIGHTS WITH KNUCKLE

Ideal for general site lighting, alleys, loading docks, doorway, pathway and parking areas. Great for use with motion sensors and other instant on/off controls.

#### ELECTRICAL SPECIFICATIONS:

- Voltage: 120-277VAC 50/60Hz
- Wattage: 15W
- Power factor: >0.9
- Efficacy: 100LM/W

#### HOUSING SPECIFICATIONS:

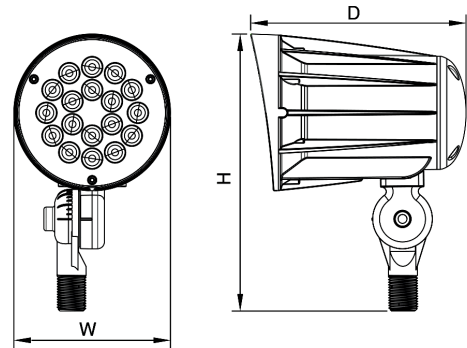
- Die-cast aluminum with powder coat finish (Bronze)
- Cord type: 18" SJTW 18/3 AWG cable
- Operating temperature: -40°F ~ 104°F
- Maintenance free
- High light transmittance, anti-UV & fire resistant PC
- Westgate's powerful bullets
- Mounting: 1/2" NTP knuckle
- Lifespan: 70,000 Hrs.
- IP rating: IP65, Wet Locations

#### CERTIFICATIONS: UL, DLC



#### DIMENSIONS:

5-1/2"(H) x 3"(W) x 4-1/4"(D)



MODEL	WATTS	VOLTAGE	LUMENS	COLOR TEMP
FLD2-15CW-KN	15W	120~277VAC	1500LM	5000K
FLD2-15WW-KN	15W	120~277VAC	1500LM	3000K

#### ACCESSORIES:

MODEL	DESCRIPTION
FL-SH1	Polycarbonate shroud (Bronze) fits for FLD2-15W

#### LIGHTING SPECIFICATIONS:

- LED: Philips LUMILEDS
- Total lumens: 1500LM
- Color temperature: 5000K/3000K
- Color rendering index: >80
- Beam angle: 60°

#### WARRANTY: 7 years

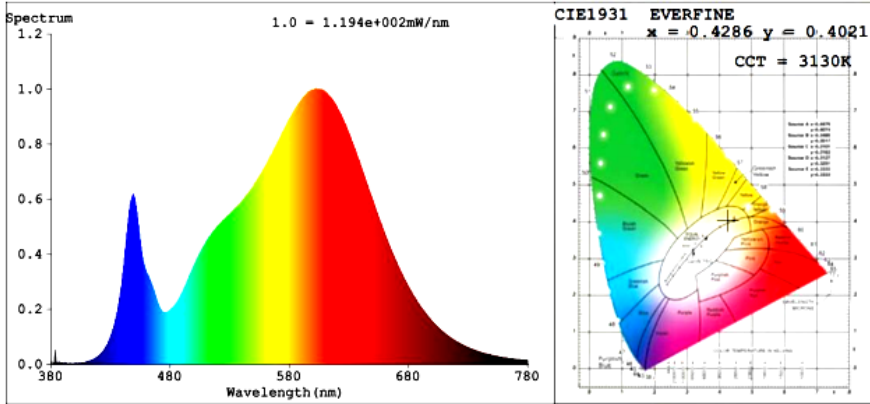


## FLD2-15CW-KN FLD2-15WW-KN

### LED BULLET FLOOD LIGHTS WITH KNUCKLE

MODEL	WATTS	VOLTAGE	LUMENS	COLOR TEMP
FLD2-15CW-KN	15W	120~277VAC	1500LM	5000K
FLD2-15WW-KN	15W	120~277VAC	1500LM	3000K

### SPECTRAL POWER DISTRIBUTION & CHROMATICITY DIAGRAM:



### PHOTOMETRY:

