



FL-SH2

FLD2-28CW-KN FLD2-28WW-KN

LED BULLET FLOOD LIGHTS WITH KNUCKLE

Ideal for general site lighting, alleys, loading docks, doorway, pathway and parking areas. Great for use with motion sensors and other instant on/off controls.

ELECTRICAL SPECIFICATIONS:

- Voltage: 120-277VAC 50/60Hz
- Wattage: 28W
- Power factor: >0.9
- Efficacy: 100LM/W

HOUSING SPECIFICATIONS:

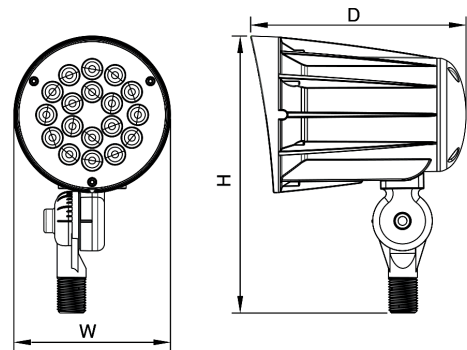
- Die-cast aluminum with powder coat finish (Bronze)
- Cord type: 18" SJTW 18/3 AWG cable
- Operating temperature: -40°F ~ 104°F
- Maintenance free
- High light transmittance, anti-UV & fire resistant PC
- Westgate's powerful bullets
- Mounting: 1/2" NTP knuckle
- Lifespan: 70,000 Hrs.
- IP rating: IP65, Wet Locations

CERTIFICATIONS: UL, DLC



DIMENSIONS:

7-1/2"(H) x 4"(W) x 5-3/4"(D)



MODEL	WATTS	VOLTAGE	LUMENS	COLOR TEMP
FLD2-28CW-KN	28W	120~277VAC	2800LM	5000K
FLD2-28WW-KN	28W	120~277VAC	2800LM	3000K

ACCESSORIES:

MODEL	DESCRIPTION
FL-SH2	Polycarbonate shroud (Bronze) fits for FLD2-28W

LIGHTING SPECIFICATIONS:

- LED: Philips LUMILEDS
- Total lumens: 2800LM
- Color temperature: 5000K/3000K
- Color rendering index: >80
- Beam angle: 60°

WARRANTY: 7 years

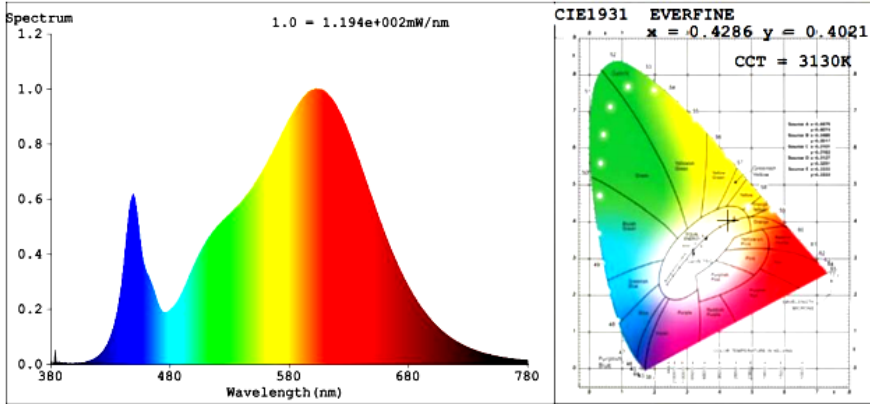


FLD2-28CW-KN FLD2-28WW-KN

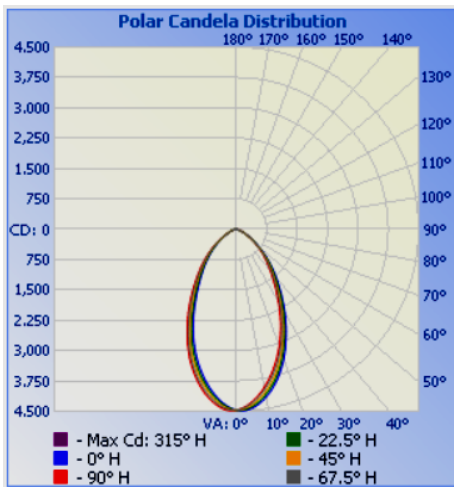
LED BULLET FLOOD LIGHTS WITH KNUCKLE

MODEL	WATTS	VOLTAGE	LUMENS	COLOR TEMP
FLD2-28CW-KN	28W	120~277VAC	2800LM	5000K
FLD2-28WW-KN	28W	120~277VAC	2800LM	3000K

SPECTRAL POWER DISTRIBUTION & CHROMATICITY DIAGRAM:



PHOTOMETRY:



Illuminance at a Distance

	Center Beam fc	Beam Width
17.0ft	15.46 fc	19.4 ft 19.6 ft
34.0ft	3.86 fc	38.8 ft 39.1 ft
51.0ft	1.72 fc	58.3 ft 58.7 ft
68.0ft	0.97 fc	77.7 ft 78.2 ft
85.0ft	0.62 fc	97.1 ft 97.8 ft
102.0ft	0.43 fc	116.5 ft 117.3 ft

■ Vert. Spread: 59.5°
■ Horiz. Spread: 59.8°

