

Project Name:	
Catalog Number:	Fixture Type:
Volts / Watts:	Lamps / Board:



# LARGE FLOOD - 85W LED

REPLACES 250W MH

## FEATURES

- Hinged Front Frame With Removable Back Cover for Easy Access to Driver
- Die Cast Aluminum Housing
- Textured Architectural Bronze Powdercoat Finish
- Dimple Textured Diffusive Tempered Glass Lens
- Watertight Cord Grip Installed
- Standard Yoke Included
- 0-10V Dimmable Drivers
- Pole and Tenon Mounting Options Also Available (3' Cord and Watertight Bushing Included)
- 4000K (Std)
- IP65 Rated for Outdoor Use
- 5 Year Warranty
- DesignLights Consortium® Premium Qualified Luminaire



## LED SYSTEMS

Calculated L <sub>70</sub> (TM-21)	>100K
Delivered Lumens	10,240 lm
Total Input Watts	83 W
Luminaire Efficacy Rating (LER)	122 lm/W
Correlated Color Temperature (CCT)	4000K
Color Rendering Index (CRI)	>80
Maximum Ambient Temperature	115°F
Minimum Ambient Temperature	-20°F
Universal Driver	120-277 V

LED System data above based on FLL-85WLED-UNIV-40  
 LED Lumen Maintenance Estimates based on TM-21 projections for the light source at 25°C ambient.

## SUITABLE APPLICATIONS

- Parking lots
- Buildings
- General Area Lighting



complies with  
**RoHS**

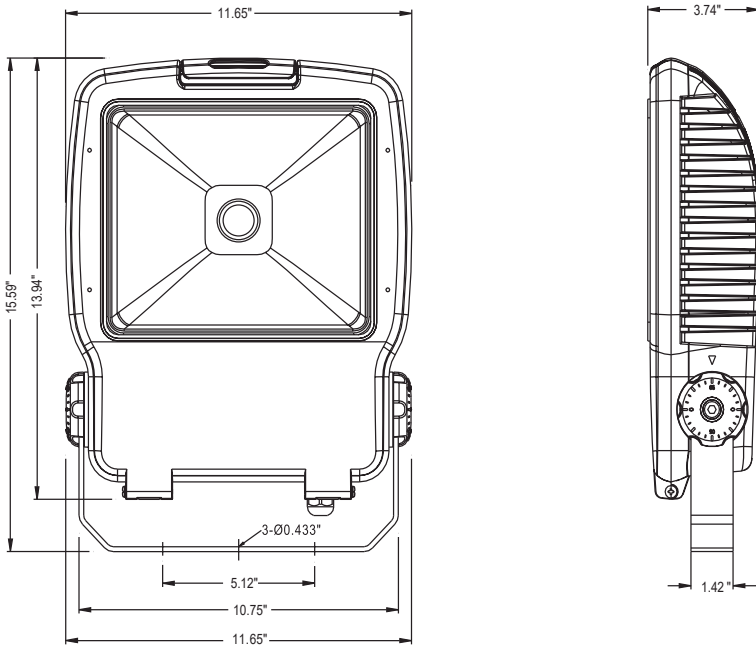
## ORDERING GUIDE:

FLL	85WLED	UNIV	50	e.g. PMB
Series	LED	Driver	Color	Options

- |   |  |   |  |   |
|---|--|---|--|---|
| <input type="checkbox"/> <b>FLL</b> Large Flood | <input type="checkbox"/> <b>85WLED</b> | <input type="checkbox"/> <b>UNIV</b> 120-277 Driver | <input type="checkbox"/> 50<br><input type="checkbox"/> 40 | <input type="checkbox"/> <b>PMB</b> Pole Mount Bracket (3' cord & bushing incl.)  |
|   |  |   |  | <input type="checkbox"/> <b>TMB</b> Tenon Mount Bracket (3' cord & bushing incl.) |
|   |  |   |  | <input type="checkbox"/> <b>CORDx</b> Cord (x = ft)                               |
|   |  |   |  | <input type="checkbox"/> <b>PCxxx</b> Photocell (xxx = Voltage)                   |
|   |  |   |  | <input type="checkbox"/> <b>GS</b> Glare Shield                                   |
|   |  |   |  | <input type="checkbox"/> <b>WG</b> Wire Guard                                     |
|   |  |   |  | <input type="checkbox"/> <b>SP1</b> 10kA Max Univolt Surge Protector              |
|   |  |   |  | <input type="checkbox"/> <b>SP2</b> 22kA Max Univolt Surge Protector              |

# LARGE FLOOD - 85W LED

## FLOOD 2.0



## MOUNTING OPTIONS

- **WG** - Wire Guard
- **GS** - Glare Shield
- **PMB** - Pole Mounting Bracket  
Includes 3 ft Cord and Watertight Bushing  
(EPA Rating: 1.42ft<sup>2</sup> Vertically / 0.67ft<sup>2</sup> Horizontally)
- **TMB** - Tenon Mounting Bracket 2<sup>3/8</sup> Pole Only  
Includes 3 ft Cord and Watertight Bushing  
(EPA Rating: 1.43ft<sup>2</sup> Vertically / 0.68ft<sup>2</sup> Horizontally)
- **YMK** - Standard Yoke Included  
(EPA Rating: 1.36ft<sup>2</sup> Vertically / 0.61ft<sup>2</sup> Horizontally)



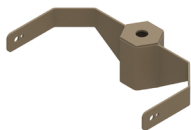
WG



GS



PMB



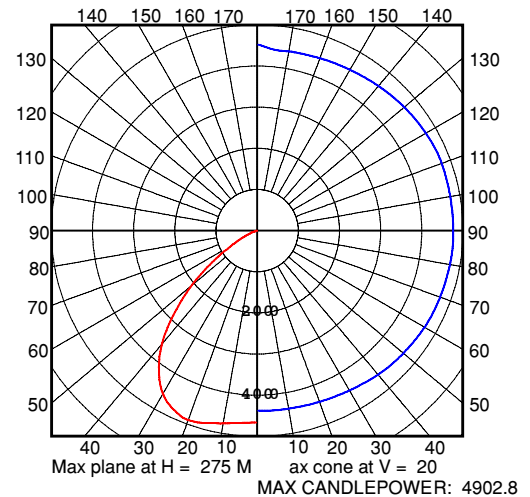
TMB

## FLL-85WLED-UNIV-40

### SUMMARY DATA

HEMISPHERES TESTED:	BOTH
EFFICIENCY (Total):	100.0 %
EFFICIENCY (Down / Up):	100.0 % / 0%
EFFICIENCY (Street / House):	50.1% / 49.9%
ROADWAY CLASSIFICATION:	TYPE VS
CIE CLASSIFICATION:	FULL CUTOFF
LUMENS/LAMP:	10,205.41
NO. OF LAMPS:	1
LUMINOUS OPENING: RECTANGULAR	
Width:	0.57 (Feet)
Length:	0.47
Height:	0.00
INPUT WATTS:	83.0649

### PLANE AND CONE DIAGRAM



Photometric values based upon tests performed in compliance with LM-79. IES files can be downloaded at [www.ilp-inc.com](http://www.ilp-inc.com)

Industrial Lighting Products

**LED**  
**lighting facts**<sup>®</sup>  
A Program of the U.S. DOE

<b>Light Output (Lumens)</b>	<b>10240</b>
<b>Watts</b>	<b>83.41</b>
<b>Lumens per Watt (Efficacy)</b>	<b>122.77</b>

<b>Color Accuracy</b> Color Rendering Index (CRI)	<b>80</b>
--	-----------

<b>Light Color</b> Correlated Color Temperature (CCT)	<b>4000 (Bright White)</b>
--	----------------------------

All results are according to IESNA LM-79-2008: *Approved Method for the Electrical and Photometric Testing of Solid-State Lighting*. The U.S. Department of Energy (DOE) verifies product test data and results.

Visit [www.lightingfacts.com](http://www.lightingfacts.com) for the *Label Reference Guide*.

Registration Number: -MT104H (2/7/2017)  
Model Number: FLL-85WLED-UNIV-40  
Type: Luminaire - Directional