

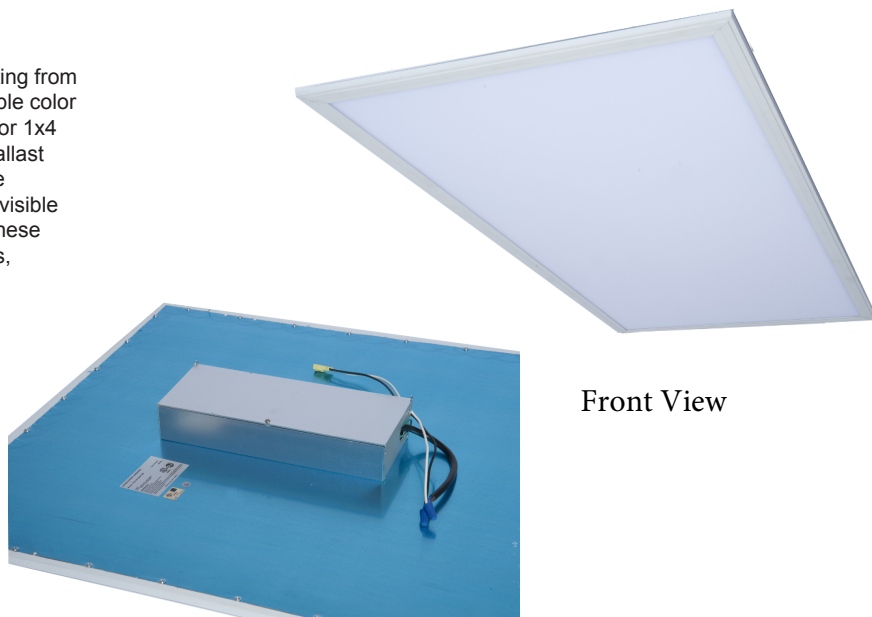
SERIES FPELP LED Edgelit Flat Panel

APPLICATIONS

This new Edgelit Flat Panel provides comfortable, abundant lighting from a very thin and modern design. Available in 2x2 and 2x4 in multiple color temperatures and dimmable with 0 to 10 Volt dimming. Consult for 1x4 size. The panel is designed for T-Bar recessed mounting with ballast box on the top side of the panel. The panel can be chain or cable mounted with a high tech look with the thin panel profile and the visible driver box on top. The panel has an unobstrusive white edge. These panels are an ideal choice for many applications including offices, circulation spaces, retail and now popular in residential kitchens remodeled to give a skylight appearance.

FEATURES & BENEFITS

- ◆ Ultra thin LED panel light made from high-grade aluminum
- ◆ Environmentally friendly-mercury free
- ◆ Rated at 50,000 hrs of L70 LED life
- ◆ CRI >80
- ◆ 0-10 Volt dimmable 120-277V
- ◆ High efficacy and UV and IR Free
- ◆ RoHS Compliant
- ◆ 5 Year Warranty
- ◆ PF >99
- ◆ cULus Listed



Front View

Back View

SPECIFICATIONS

Housing is white aluminum that is sealed and Non-IC type fixture. Lens is evenly diffused frosted material. The driver is a Class 2 compliant design, featuring low voltage, limited power and is capable of 0-10V dimming as standard. Available in 35 input watts. Fixture is 80CRI minimum, multiple color temperatures, sizes and wattages are available. 5 year limited system warranty. Listed by and bears cULus label.

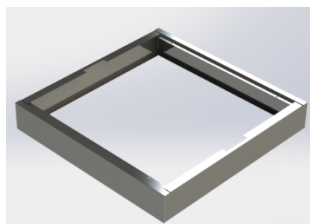
DIMENSIONS:

2x2 - 600mm x 600mm x 12mm + Driver (23.625" x 23.625" x 0.5")
 2x4 - 600mm x 1200mm x 12mm + Driver (23.625" x 47.25" x 0.5")
 Driver - 10.625" x 3.0" x 1.7"

ORDERING INFORMATION

EXAMPLE: FPELP22LED40DMV/WH40

FPELP		Type		Gear		Wattage/Lumens		Driver		Finish		Kelvin Temperature	
Series	Type	Gear		Wattage/Lumens		Driver		Finish		Kelvin Temperature			
FPELP	22	2 x 2		LED		2x4, 2x2 and 1x4		DMV 0-10V Dimmable, 120-277V		WH White		35	3500K
LED Slim	14	1 x 4		DLC 40* 40 Watts 5000 Lumens		DMV 0-10V Dimmable, 120-277V						40	4000K
Flat Panel	24	2 x 4		DLC 50* 50 Watts 6250 Lumens		DMV 0-10V Dimmable, 120-277V						50	5000K
SHFPELP		Type		Gear		Wattage/Lumens		Driver		Finish		Kelvin Temperature	
Surface Mount		LED Slim		DLC 75		2x4 only 75 Watts 9375 Lumens		DMV 0-10V Dimmable, 120-277V					
Flat Panel													



Shroud for surface mounted.

SHROUD DIMENSIONS:

SHFPELP2X2 - (24.00"W x 24.00"L x 4.00"D)
 SHFPELP1X4 - (11.92"W x 48.00"L x 4.00"D)
 SHFPELP2X4 - (24.00"W x 48.00"L x 4.00"D)

Dimensions and specifications subject to change without notice.

MOUNTING

Recessed inverted T-Bar ceilings. Grid mount or Surface Mount.



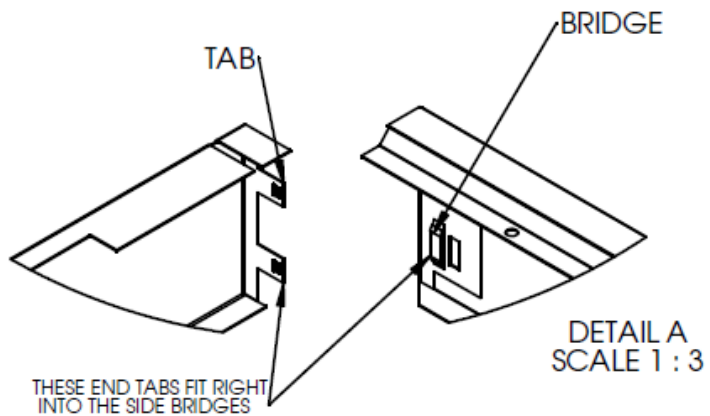
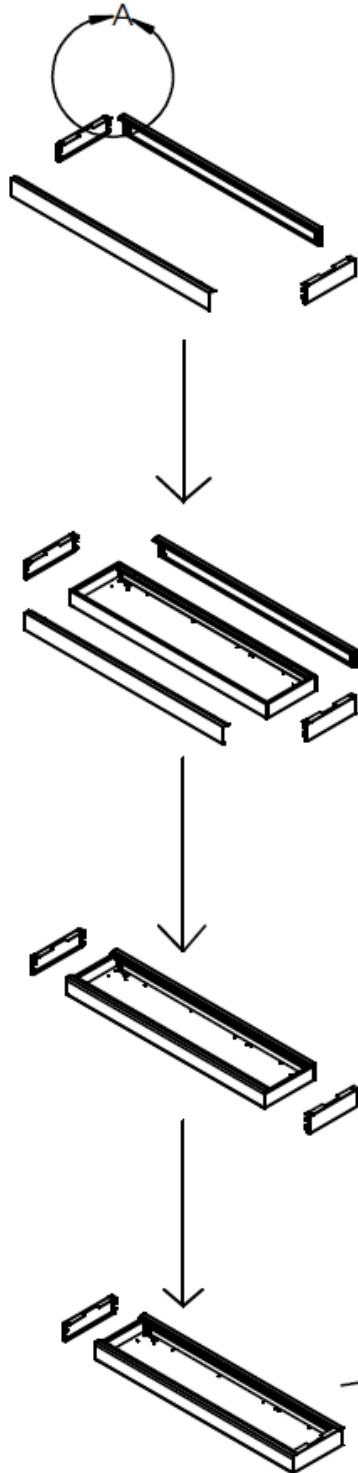
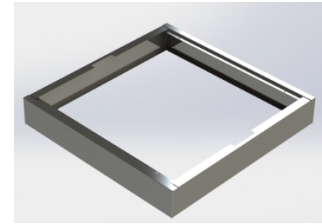
* Marked item is DLC only



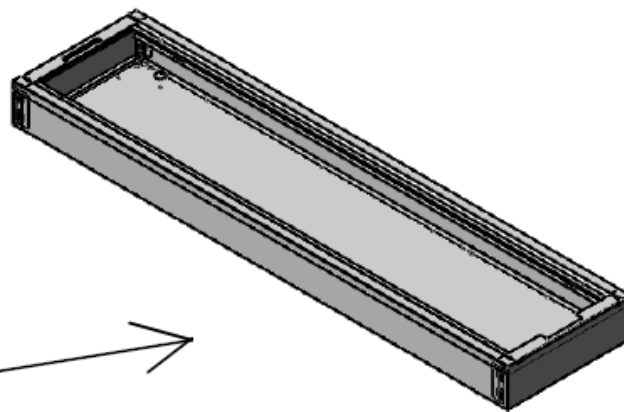
Catalog Number:
Notes:

Shroud Installation Instructions

Shroud for surface mounted.



1. PLACE FIXTURE BETWEEN SHROUD PIECES. (2 SIDES AND 2 ENDS)
2. NEXT PUSH SIDE SHROUD PIECES INTO PLACE OVER SIDE OF THE FIXTURE.
3. THEN LINE THE END SHROUD PIECE UP TO THE BRIDGES ON THE SHROUD SIDE PIECES AND PRESS THEM INTO THE BRIDGE UNTIL THEY SNAP INTO PLACE.
4. REPEAT STEP 3 ON BOTH ENDS OF FIXTURE.



Dimensions and specifications subject to change without notice.