

JaMES

LED GARDEN BOLLARD LIGHT SPECIFICATION



FC RoHS

LED Garden Bollard Light

Features

1. Beam angle:120 degrees.
2. Aluminum die-casting heat sinks is good for heat dissipation.
3. It's major to replace the conventiona area light.
4. Green, energy saving, long and reliable life of 50,000 hours.
5. No RF interference, No IR/UV radiation ,no mercury pollution.
6. Wide colour availability in degrees Kelvin(K),2700-6700K.
7. Streamline exterior design, beautiful appearance.
8. Environment friendly ,energy saving (70~80%).
9. Special circuit design, each LED work separately, avoiding the single broken LED influence problem

Product Appearance



A



B



C

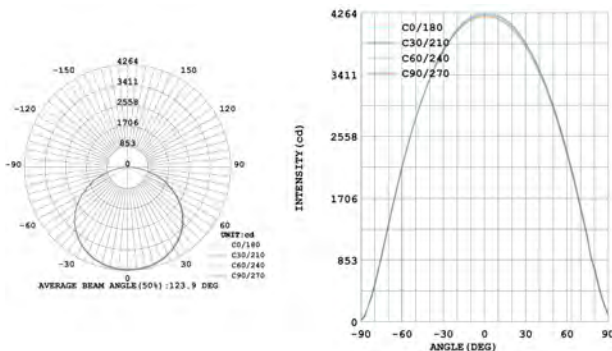
Parameters

| | | | | |
|--------------------------|---------------------------------------|---------|-------------------|----------|
| Model | GRL-30W | GRL-50W | GRL-75W | GRL-100W |
| Power | 30W | 50W | 75W | 100W |
| Luminous | 3900Lm | 6500Lm | 9750Lm | 13000Lm |
| Lighting efficacy | 130LM/W | | 150lm/w available | |
| Beam angle | 120° | | | |
| CCT | 2700K / 3000K / 4100K / 5000K / 5700K | | | |
| Operaon Temp | -40°C to 45°C | | | |
| Lifespan | >50,000 hours at 25°C | | | |
| Input Voltage | AC100-277V | | | |
| Frequency | 50/60Hz | | | |
| CRI | 80/90 | | | |
| PF | ≥0.95 | | | |
| IP Grade | Ip67 | | | |

Key Features

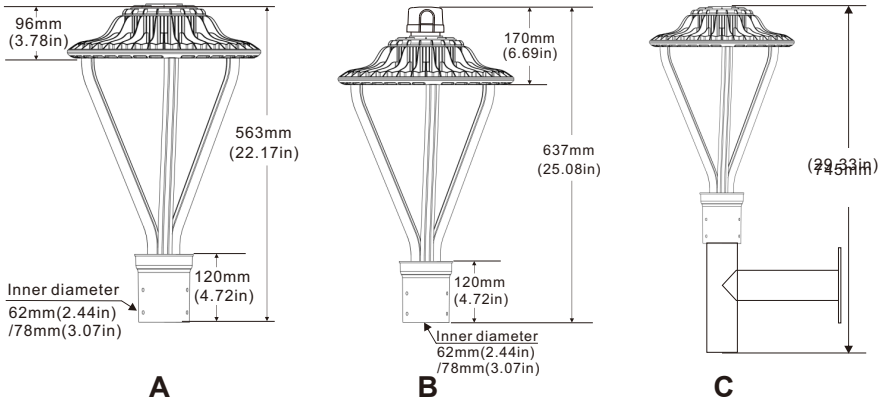
- ◆ Easy and secure installation
- ◆ Ideal for Harsh Environment Applications
- ◆ Uniformity lighting distribution
- ◆ High lumens efficiency and high CRI
- ◆ Environmentally friendly with no mercury

Professional Light Distribution



Dimensions

*If the customer does not specify a requirement, the inner diameter defaults to 62mm.



Application

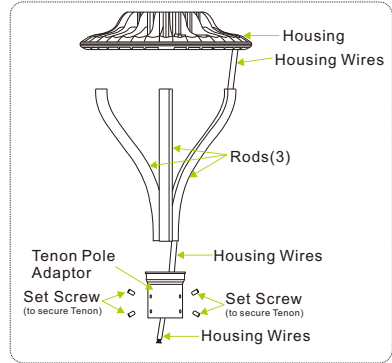
1. Area roadway/roadway lighting.
2. Parking areas lighting.
3. Airports lighting.
4. Streetscapes lighting.
5. Campuses lighting.



Fixing Ways

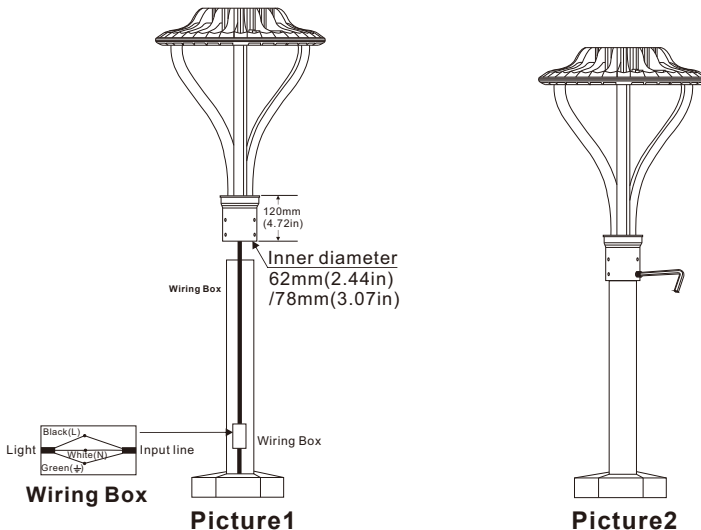
Fixture assembly

- Step1: Feed the (3) Housing wires through one of the three Rods.
- Step2: Clip the (3) Rods onto the Housing. Be sure the Housing clips are properly engaged onto the Rods.
- Step3: Feed Fixture Wires through the Tenon Pole Adaptor.
- Step4: Slide Tenon Pole Adaptor on three Rods. Be sure the notches face the inside of the Tenon Pole Adaptor.
- Step5: Tighten the (3) Set Screws at the Tenon Pole Adaptor to secure Rods.

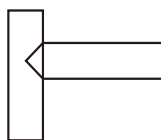


Pole mounting

- Step1: Turn off the power before installation.
- Step2: Wiring right in the wiring box ("Black" is connected to "L", "White" connect to "N", "Green" to "Ground") and set the lamp into the bracket by the hole. (picture1).
- Step3: We should fasten the four screws with a hex wrench, and finished (picture2).



Wall mounting



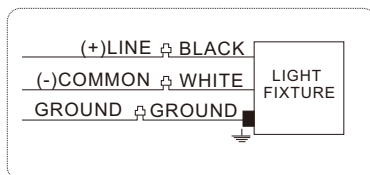
Wall bracket



Wiring

Universal voltage driver permits operation at 100- 277VAC,50/ 60Hz.

1. Connect the black fixture lead to the (+) LINE supply lead.
2. Connect the white fixture lead to the (-) COMMON supply lead.
3. Connect the green Ground wire from fixture to supply ground.



Optional Accessories



Model A:Pole bracket



Model B:With sensor



Model C:Wall bracket