

### FEATURES & SPECIFICATIONS

#### INTENDED USE

High efficiency LED engineered for premium performance in medium and high ceiling applications ideally suited for warehouses, manufacturing plants, sports facilities and retail spaces. A precision-formed reflector system available in highly reflective mirrored reflector achieve maximum light output for ceilings from 15 feet to 40 feet. The unique arrangement is ideal for wide area lighting to put the light exactly where you need it with less fixtures. Based on ceiling height, these fixtures can replace an HID high bay using half of the wattage. Surface, pendant, chain or stem mounting. Highest quality materials and workmanship.

#### SIZE W x L x H in inches (mm)

**12L** - 11.80W x 21.50L x 2.00H

**22L** - 16.00W x 21.50L x 2.00H

**24L** - 11.80W x 43.00L x 2.00H

#### CONSTRUCTION

Housing is 22 gauge prepainted steel. Air vents surround the drivers in the back of the fixture to maximize LED and driver performance, reliability and life. High reflective mirrored reflectors are computer designed to maximize photometric performance and put the light where you need it. Access plate in the back makes wiring fast and hassle-free. Back of fixture is designed with built-in mounting holes for tong hanger, cable kit and surface mount.



#### MOUNTING

Chain hung with supplied tong hangers and Jack chain. Optional cable kit can be ordered.



### ORDERING INFORMATION

HBI	12L	110W11000L	M23	MV	50K
Series	Size	Wattage and Lumen	Reflector	Driver	Color Temperature
<b>HBI</b> LED HighBay	<b>12L</b> 11.80"W x 21.50"L x 2.00"H	<b>110W11000L</b> 110 System Watts, 11550 Delivered Lumens	<b>M23</b> Mirrored Reflector	<b>MV</b> 120V-277V	<b>40K</b> 4000K <b>50K</b> 5000K
	<b>22L</b> 16.00"W x 21.50"L x 2.00"H	<b>170W16400L</b> 168 System Watts, 16800 Delivered Lumens			
	<b>24L</b> 11.8.00"W x 43.0"L x 2.00"H	<b>230W22000L</b> 220 System Watts, 23100 Delivered Lumens			

\*Includes Chain Kit (2 x 6Ft for 3Ft drop)

## Lens Installation Instructions



Door Frame  
Lens options.

fig. 1

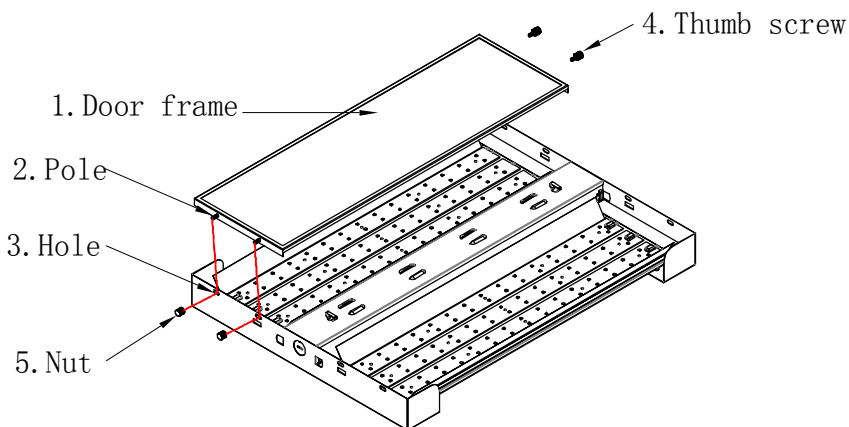
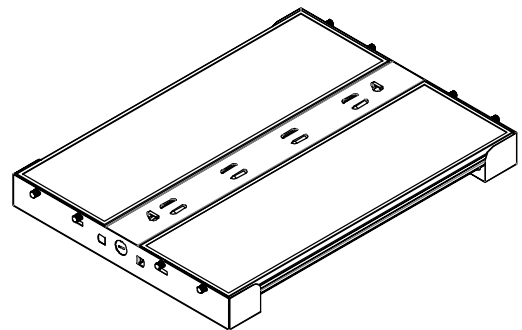


fig. 2



### Installation Steps:

1. Take out the door frame (1), put the poles (2) through the holes (3), secure it to the fixture body with thumb screw (4) and nuts (5)
2. The same way to install the other door frame. See fig. 2 when the installation is completed.