

## LED HID Retrofit Lamps

### ProLED Select HID Retrofit Series

- CCT selectable 3000/4000/5000K
- 12W - 120W Options with wattage selection option
- 1,680 - 18,000 Lumens
- 50W - 400W Replacement
- E26 base (Ex39 option 36W and up)
- Control options for 80W and up
- Highly efficient at 150lm/w

### Specifications

#### Product Description

The ProLED Select HID Retrofit series offers an efficient LED retrofit opportunity for high bays, post tops, area lights and many more with a great form factor. The CCT and wattage selectability allows for simple and easy installation.

#### Construction

- Clear Durable Polycarbonate Lens
- Aluminum Housing With Efficient Heat Sink Design
- E26 Base Option 12W - 54W
- Ex39 Base Option 36W - 120W

#### Installation

- Ballast Bypass Type B Lineconnect Wiring
- Ballast Must Be Bypassed
- E26 and Ex39 Base Available  
(See Ordering Logic For Options)
- For Use in Enclosed Luminaires
- Can be installed Vertical or Horizontal

#### Controls

- Motion Sensor Accessory For 80W, 100W and 120W Options
- Commission With Remote Accessory



#### Performance

- 12W - 120W Options
- Up To 18,600 Lumens
- 100-277V
- Up To 157 LPW
- 50,000hr Life
- 4kv And 6kv Surge Protection

#### Certifications

- IP64
- cUL Listed For Damp Locations
- DLC 5.1. (Ex39 Base only)  
(Visit Designlights.org For Qualified Product List)
- FCC

#### Applications

- Replacement lamps for Outdoor and Industrial Luminaires

## ProLED Select HID Retrofit Series

### Ordering Logic

#### Product Description

Series <sub>1</sub>	CCT	Base	Source
<b>Equivalent Wattage:</b>  50W = HID12 - 12W 70W = HID18 - 18W 150W = HID36 - 36W 150W = HID45 - 45W 175W = HID54 - 54W 250W = HID80 - 80W 250W = HID100 - 100W 400W = HID120 - 120W	CS - 3000/4000/5000K	E26 - E26 Base EX39 - EX39 Base <sub>2</sub>	LED - LED Source

Notes:  
 1. See specification table for wattage selectability options. 12W & 18W not wattage selectable.  
 2. For 36W and higher. 80, 100 & 120W only available with Ex39 Base.

### Ordering Information

Product Number	Product Code	Product Description
82361	HID12-CS-E26-LED	HID LED Retrofit, 12W, Color Selectable 3000/4000/5000K E26 Base
82362	HID18-CS-E26-LED	HID LED Retrofit, 18W, Color Selectable 3000/4000/5000K E26 Base
82363	HID36-CS-E26-LED	HID LED Retrofit, 36W, Color Selectable 3000/4000/5000K E26 Base, Wattage Selectable 18/27/36
82364	HID36-CS-EX39-LED	HID LED Retrofit, 36W, Color Selectable 3000/4000/5000K EX39, Base Wattage Selectable 18/27/36
82365	HID45-CS-E26-LED	HID LED Retrofit, 45W, Color Selectable 3000/4000/5000K E26 Base, Wattage Selectable 27/36/45
82366	HID45-CS-EX39-LED	HID LED Retrofit, 45W, Color Selectable 3000/4000/5000K EX39 Base, Wattage Selectable 27/36/45
82367	HID54-CS-E26-LED	HID LED Retrofit, 54W, Color Selectable 3000/4000/5000K E26 Base, Wattage Selectable 36/45/54
82368	HID54-CS-EX39-LED	HID LED Retrofit, 54W, Color Selectable 3000/4000/5000K EX39 Base, Wattage Selectable 36/45/54
82369	HID80-CS-EX39-LED	HID LED Retrofit, 80W, Color Selectable 3000/4000/5000K EX39 Base, Wattage Selectable 54/63/80
82370	HID100-CS-EX39-LED	HID LED Retrofit, 100W, Color Selectable 3000/4000/5000K EX39 Base, Wattage Selectable 63/80/100
82371	HID120-CS-EX39-LED	HID LED Retrofit, 120W, Color Selectable 3000/4000/5000K EX39 Base, Wattage Selectable 80/100/120
Accessories		
24875	DCMS	DC Motion Bi-Level Motion Sensor
24876	DCMS-REM	DC Motion Bi-Level Motion Sensor Remote

\*Sensor option only available for 80W, 100W and 120W



## ProLED Select HID Retrofit Series

### Specification Table

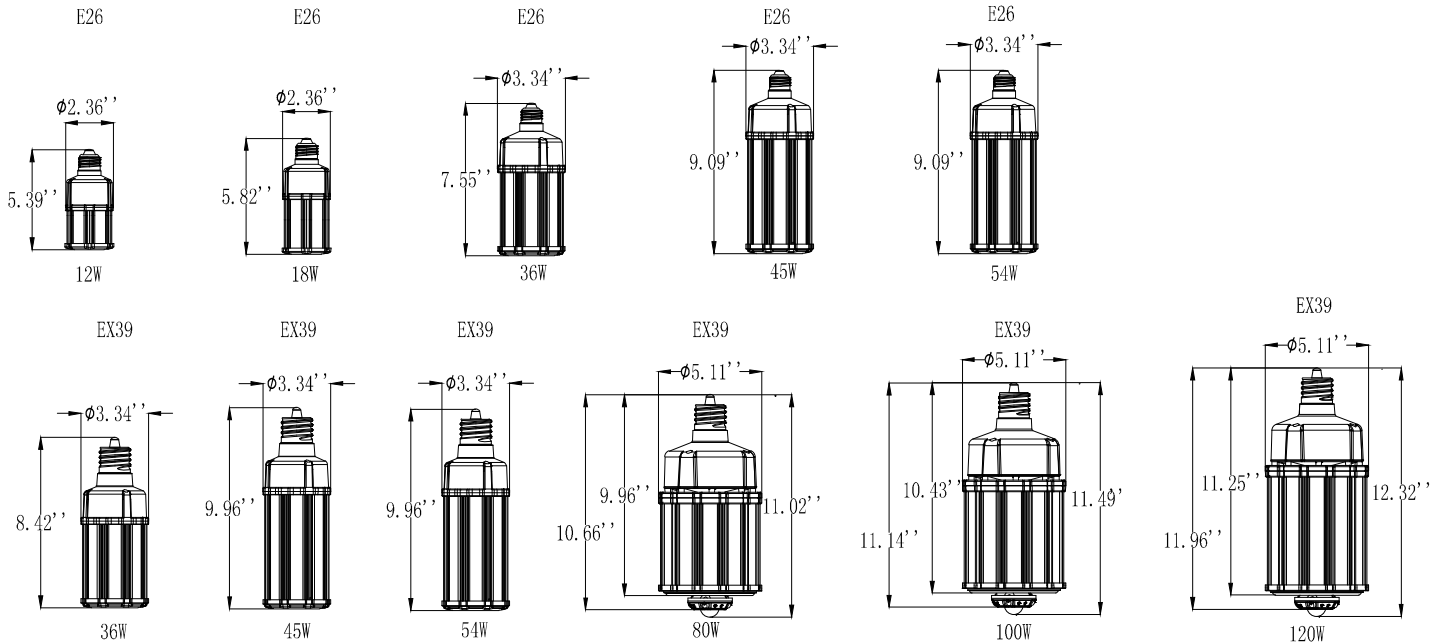
Product SKU	Product Code	Wattage Selection	Lumens			CRI	Efficacy 3K/4K/5K	Ambient Temp	Voltage	Surge Protection	Weight	Controls Option
			3000K	4000K	5000K							
82361	HID12-CS-E26-LED	12	1680	1884	1800	83	140/157/150	-40°C to 45°C	100-277V	4kV	.71lbs	No
82362	HID18-CS-E26-LED	18	2520	2826	2700	83	140/157/150	-40°C to 45°C	100-277V	4kV	.77lbs	No
82363 82364	HID36-CS-E26-LED HID36-CS-EX39-LED	18	2520	2826	2700	83	140/157/150	-40°C to 45°C	100-277V	4kV	1.57lbs	No
		27	3780	4239	4050							
		*36	5040	5652	5400							
82365 82366	HID45-CS-E26-LED HID45-CS-EX39-LED	27	3780	4239	4050	83	140/157/150	-40°C to 45°C	100-277V	4kV	1.87lbs	No
		36	5040	5652	5400							
		*45	6300	7065	6750							
82367 82368	HID54-CS-E26-LED HID54-CS-EX39-LED	36	5040	5652	5400	83	140/157/150	-40°C to 45°C	100-277V	4kV	1.87lbs	No
		45	6300	7065	6750							
		*54	7560	8478	8100							
82369	HID80-CS-EX39-LED	54	7560	8478	8100	83	140/157/150	-40°C to 45°C	100-277V	6kV	3.5lbs	Yes
		63	8820	9891	9450							
		*80	11200	12560	12000							
82370	HID100-CS-EX39-LED	63	8820	9891	9450	83	140/157/150	-40°C to 45°C	100-277V	6kV	3.5lbs	Yes
		80	11200	12560	12000							
		*100	14000	15700	15000							
82371	HID120-CS-EX39-LED	80	11200	12560	12000	83	140/157/150	-40°C to 45°C	100-277V	6kV	3.6lbs	Yes
		100	14000	15700	15000							
		*120	16800	18840	18000							

\* Refers to wattage lamp is shipped at

## ProLED Select HID Retrofit Series

### Dimensions

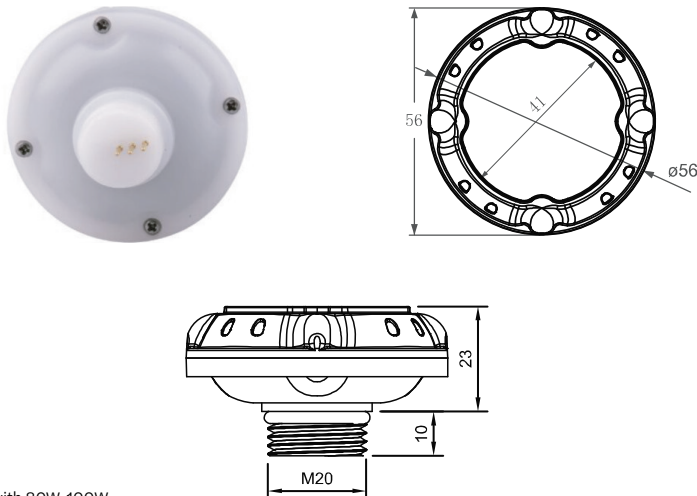
\* For more detail visit installation instructions



### Accessories

#### Controls

Motion Sensor\*



\* Available with 80W, 100W and 120W options

#### Control Install



- Remove Insert Using Key Provided in Box
- Screw in Motion Sensor to Contact
- See installation instructions for further information